

RSW Series

RSW™ LED Street Luminaire – Small, Medium, Large & Extra Large

Rev. Date: V1 01/05/2021

Product Description

The RSW Series, utilizing WaveMax® Technology, will transform the way utilities and municipalities light their residential streets, interchanges, and expressways. With the first viable LED streetlight at warm CCT, the RSW Series delivers up to 144 LPW, enhanced visual comfort with reduced glare and high color contrast leading to improved overall illumination using less energy. The RSW Series provides warm, inviting dark sky friendly lighting that makes good economic sense.

Applications: Residential roads, collector roads, multi-lane freeways, express ways, major roads, parking lots, and general area spaces

Performance Summary

WaveMax® Technology

Assembled in the U.S.A. of U.S. and imported parts

Initial Delivered Lumens: 3,000 - 32,000

Efficacy: Up to 144 LPW

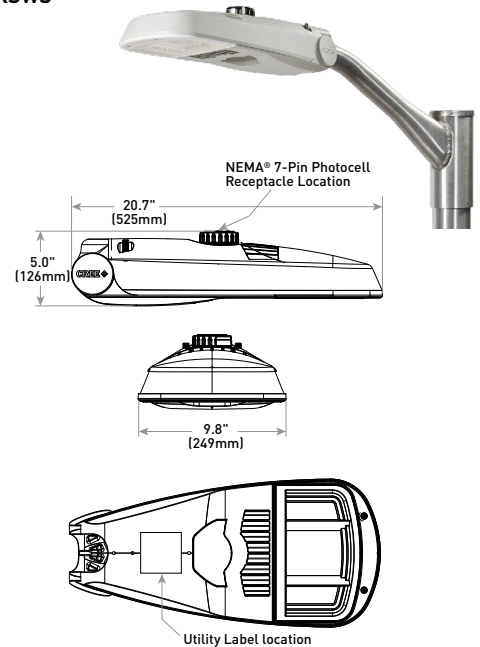
CRI: Minimum 70 CRI (3000K, 4000K & 5000K); 80 CRI (2700K, 3000K, 4000K & 5000K; 3L/5L/9L lumen packages only)

CCT: 2700K, 3000K, 4000K, 5000K

Limited Warranty†: 10 years on luminaire; up to 5 years for Synapse® accessories; 1 year on luminaire accessories

† See <http://creelighting.com/warranty> for warranty terms. For Synapse accessories, consult Synapse spec sheets for details on warranty terms.

RSWS



Luminaire	Weight*
RSWS	9.4 lbs. (4.3kg)

* RSW-BLSS, RSW-CLSS, or RSW-FLSS Accessories: add 0.4 lbs. (0.2kg)

RSWM/RSWL/RSWX Luminaire - See page 14 for photos & dimensions

Ordering Information

Example: RSWS-B-HT-2ME-3L-27K8-UL-GY-N

Luminaire										
RSW	B	HT							N	
Family	Size	Series	Mounting*	Optic	Lumen Package***	CCT/CRI	Voltage	Color Options	Utility Label/Receptacle	Options
RSW	S Small M Medium L Large X Extra Large	B	HT Horizontal Tenon	2LG** Type II Long 2ME** Type II Medium 3ME** Type III Medium	<u>Small</u> 3L 3,000 Lumens 5L 5,000 Lumens 7L 7,000 Lumens <u>Medium</u> 9L 9,000 Lumens <u>Large</u> 14L 14,000 Lumens <u>Extra Large</u> 24L 24,000 Lumens 32L 32,000 Lumens	27K8 2700K, 80 CRI - Available only with 3L, 5L, or 9L lumen packages 30K7 3000K, 70 CRI 30K8 3000K, 80 CRI - Available only with 3L, 5L, or 9L lumen packages 40K7 4000K, 70CRI 40K8 4000K, 80 CRI - Available only with 3L, 5L, or 9L lumen packages 50K7 5000K, 70CRI 50K8 5000K, 80CRI - Available only with 3L, 5L, or 9L lumen packages	UL Universal 120-277V UH Universal 347-480V - Available only with medium, large or extra large lumen packages	BK Black BZ Bronze GY Grey	N Utility Label and NEMA® 7-Pin Photocell Receptacle - External wattage label per ANSI C136.15 - 7-pin receptacle per ANSI C136.41 - Factory connected 0-10V dim leads - Requires photocell or shorting cap by others	4BLT Four Bolt Mounting - Mounts to 1.25" (32mm) IP, 1.66" (42mm) O.D. or 2" (51mm) IP, 2.375" (60mm) O.D. horizontal tenon - Available only with large or extra large lumen packages 20KV 20kV/10kA Surge Suppression PP Pallet Packaging - Multiple luminaires (up to 26 maximum per pallet for small; up to 22 maximum per pallet for medium; up to 14 maximum per pallet for large; not available with extra large) Q9/Q8/Q7/Q6/Q5/Q4/Q3/Q2/Q1 Field Adjustable Lumen Output - Must select Q4, Q3, Q2, or Q1 for small lumen package - Must select Q8, Q7, Q6, Q5, Q4, Q3, Q2, or Q1 for medium lumen package - Must select Q9, Q8, Q7, Q6, Q5, Q4, Q3, Q2, or Q1 for large or extra large lumen packages - Offers full range lumen adjustability - Includes wattage label for setting selected - Refer to pages 7-13 for power and lumen values - Luminaire may also be dimmed through 7-Pin receptacle with use of dimming control by others SS Stainless Steel Bolts X8/X7/X6/X5/X4/X3/X2/X1 Locked Lumen Output - Must select X3, X2, or X1 for small lumen packages - Must select X7, X6, X5, X4, X3, X2, or X1 for medium lumen package - Must select X8, X7, X6, X5, X4, X3, X2, or X1 for large or extra large lumen packages - Lumen output is permanently locked to the setting selected - Includes wattage label for setting selected - Refer to pages 7-13 for power and lumen values - Dimming is only available through 7-Pin receptacle with use of dimming control by others

* Reference EPA and pole configuration suitability data on page 6

** Available with Backlight Shield when ordered with field-installed accessory (see table on page 2)

*** Lumen Package codes identify approximate light output only. Actual lumen output levels vary depending on CCT and optic selection. Refer to Initial Delivered Lumen tables for specific lumen values



US: creelighting.com (800) 236-6800

Canada: creelighting-canada.com (800) 473-1234

CREE LIGHTING

Product Specifications

WAVEMAX® TECHNOLOGY

Featuring up to 90% optical efficiency and precise control, WaveMax® Technology provides unmatched comfort and decreased LED source luminance by smoothly spreading brightness over a broader area. When integrated with luminous surfaces made of a polymer medium engineered with DiamondFacet™ optical elements, extremely high efficacy luminaires are the result – ultimately creating more visually comfortable and appealing environments while exceeding illumination performance.

CONSTRUCTION & MATERIALS

- Housing constructed of high strength, lightweight bulk molding compound for long weathering and durability
- UV stabilized polymeric door with handle pocket for tool-less entry
- Straight in wiring to terminal block for power input (#6-#14 AWG)
- Optic box and driver enclosure inside optic box meet IP66 requirements
- Mounts on 1.25" [32mm] IP, 1.66" [42mm] O.D. or 2" [51mm] IP, 2.375" [60mm] O.D. horizontal tenon (minimum 8" [203mm] in length) and is adjustable +/- 5" in 2.5" increments to allow for fixture leveling (two axis T-level included)
- Luminaire secures with two grade 5 steel mounting bolts w/clear zinc clad finish standard; optional 316 stainless steel mounting bolts available with SS option. Optional four bolt mounting is also available with large and extra large luminaires
- Comes standard with Utility Label per ANSI C136.15 and 7-pin NEMA® Photocell Receptacle per ANSI C136.41

Weight*

RSWS	9.4 lbs. [4.3kg]
RSWM	15.6 lbs. [7.1kg]
RSWL	20.2 lbs. [9.2kg]
RSWX	28.8 lbs. [13.1kg]

* RSW-BLSS, RSW-CLSS, or RSW-FLSS Accessories: add 0.4 lbs. [0.2kg]; RSW-BLSM Accessory: add 0.4 lbs. [0.2kg]; RSW-CLSM or RSW-FLSM Accessories: add 0.6 lbs. [0.3kg]; RSW-BLSL Accessory: add 0.6 lbs. [0.3kg]

ELECTRICAL SYSTEM

- **Input Voltage:** 120-277V or 347-480V (available only with medium, large or extra large lumen packages), 50/60Hz
- **Power Factor:** > 0.9 at full load
- **Total Harmonic Distortion:** < 20% at full load
- Integral 10kV surge suppression protection standard; 20kV surge suppression protection optional
- When code dictates fusing, a slow blow fuse or type C/D breaker should be used to address inrush current
- **10V Source Current:** 0.15mA
- **Operating Temperature Range:** -40°C - +50°C (-40°F - + 122°F) for small and medium lumen packages; -40°C - +40°C (-40°F - + 104°F) for large and extra large lumen packages

REGULATORY & VOLUNTARY QUALIFICATIONS

- cULus Listed
- Suitable for wet locations
- Certified to ANSI C136.31-2001, 3G bridge and overpass vibration standards
- Meets CALTrans 611 Vibration testing
- ANSI C136.2 10kV surge protection, tested in accordance with IEEE/ANSI C62.41.2
- Meets FCC Part 15, Subpart B, Class A limits for conducted and radiated emissions
- Meets Buy American requirements within ARRA
- RoHS compliant. Consult factory for additional details
- Dark Sky Friendly, IDA Approved when ordered with 27K or 30K CCTs. Please refer to <https://www.darksky.org/our-work/lighting/lighting-for-industry/isa/isa-products/> for most current information
- **CA RESIDENTS WARNING:** Cancer and Reproductive Harm – www.p65warnings.ca.gov

Accessories

Field-Installed	
<p>Backlight Control Shields RSW-BLSS (for use with small lumen packages only) RSW-BLSM (for use with medium lumen packages only) RSW-BLSL (for use with large lumen packages only) - Provides 1 mounting height cutoff - 0.5" [13mm] 301 stainless steel construction - Refer to initial delivered lumen tables for lumen output</p> <p>Bird Guards RSW-BRDGRDS (for use with small lumen packages only) RSW-BRDGRDM (for use with medium lumen packages only) - 5052-H32 aluminum construction</p> <p>Shorting Cap XA-XSLSHRT</p>	<p>Cul-De-Sac Shields RSW-CLSS (for use with small lumen packages only) RSW-CLSM (for use with medium lumen packages only) - Provides backlight and sidelight control - 0.5" [13mm] 301 stainless steel construction - Lumen multiplier: 0.77</p> <p>Front Light Shields RSW-FLSS (for use with small lumen packages only) RSW-FLSM (for use with medium lumen packages only) - Provides front light control - 0.5" [13mm] 301 stainless steel construction - Lumen multiplier: 0.87</p>

Product Specifications

SYNAPSE® SIMPLYSNAP INTELLIGENT CONTROL FOR NON-STREET LIGHTING APPLICATIONS ONLY

The RSW Series is compatible with the Synapse® SimplySNAP platform. A highly intuitive connected lighting solution for Site and Area applications only. The system features a reliable and robust selfheating mesh network with a browser-based interface that runs on smartphones, tablets, and PCs.

Using a Twist-Lock Lighting Controller and Site Controller, SimplySnap provides: energy productivity, code compliance and a better light experience for non-street lighting installations. SimplySNAP is optimized to create and manage networks for campus wide Area and Site applications which differs from networking requirements for street lighting applications. Controller [TL7-B2] and Site Controller [SS450-002] take the RSW Series to a new performance plateau, providing extreme energy productivity, code compliance and a better light experience.

Synapse Wireless Control Accessories	
<p>Twist-Lock Lighting Controller TL7-B2 - Suitable for 120-277V (UL) voltage only - Requires NEMA/ANSI C136.41 7-Pin Dimming Receptacle - Not for use with PML or Q options - Provides On/Off switching, dimming, power metering, digital sensor input, and status monitoring of luminaires - Refer to TL7-B2 spec sheet for details</p> <p>SimplySNAP Central Base Station CBSW-450-002 - Includes On-Site Controller [SS450-002] and 5-button switch - Indoor and Outdoor rated - Refer to CBSW-450-002 spec sheet for details</p> <p>Synapse Wireless Sensor WSN-DPM - Motion and light sensor - Control multiple zones - Refer to WSN-DPM spec sheet for details</p>	<p>SimplySNAP On-Site Controller SS450-002 - Verizon® LTE-enabled - Designed for indoor applications - Refer to SS450-002 spec sheet for details</p> <p>Building Management System (BMS) Gateway BMS-GW-002 - Required for BACnet integration - Refer to BMS-GW-002 spec sheet for details</p> <p>Outdoor Antennas [Optional, for increased range, 8dB gain] KIT-ANT420SM - Kit includes antenna, 20' cable and bracket KIT-ANT360 - Kit includes antenna, 30' cable and bracket KIT-ANT600 - Kit includes antenna, 50' cable and bracket - Refer to Outdoor antenna spec sheet for details</p>

Electrical Data*									
Lumen Package	CCT/CRI	System Watts 120-480V**	Utility Wattage Label	Total Current (A)					
				120V	208V	240V	277V	347V	480V
3L	27K8	29	30	0.25	0.14	0.13	0.11	N/A	N/A
	30K7	27	30	0.23	0.13	0.12	0.10	N/A	N/A
	30K8	29	30	0.25	0.14	0.13	0.11	N/A	N/A
	40K7	25	30	0.21	0.12	0.11	0.09	N/A	N/A
	40K8	27	30	0.23	0.13	0.12	0.10	N/A	N/A
	50K7	25	30	0.21	0.12	0.11	0.09	N/A	N/A
5L	50K8	27	30	0.23	0.13	0.12	0.10	N/A	N/A
	27K8	45	50	0.38	0.22	0.19	0.16	N/A	N/A
	30K7	42	40	0.36	0.20	0.18	0.15	N/A	N/A
	30K8	45	50	0.38	0.22	0.19	0.16	N/A	N/A
	40K7	40	40	0.34	0.20	0.17	0.15	N/A	N/A
	40K8	45	50	0.38	0.22	0.19	0.16	N/A	N/A
7L	50K7	40	40	0.34	0.20	0.17	0.15	N/A	N/A
	50K8	45	50	0.38	0.22	0.19	0.16	N/A	N/A
	30K7	51	50	0.43	0.25	0.21	0.19	N/A	N/A
	40K7	50	50	0.42	0.24	0.21	0.18	N/A	N/A
	50K7	50	50	0.42	0.24	0.21	0.18	N/A	N/A
	27K8	76	80	0.64	0.37	0.32	0.28	0.22	0.16
9L	30K7	73	70	0.62	0.36	0.31	0.27	0.21	0.16
	30K8	76	80	0.64	0.37	0.32	0.28	0.22	0.16
	40K7	64	60	0.54	0.31	0.27	0.24	0.19	0.14
	40K8	76	80	0.64	0.37	0.32	0.28	0.22	0.16
	50K7	64	60	0.54	0.31	0.27	0.24	0.19	0.14
	50K8	76	80	0.64	0.37	0.32	0.28	0.22	0.16
14L	30K7	108	110	0.91	0.52	0.46	0.40	0.31	0.23
	40K7	111	110	0.94	0.54	0.47	0.41	0.32	0.23
	50K7	111	110	0.94	0.54	0.47	0.41	0.32	0.23
24L	30K7	194	190	1.66	0.94	0.81	0.71	0.57	0.41
	40K7	167	170	1.42	0.81	0.70	0.61	0.49	0.35
	50K7	167	170	1.42	0.81	0.70	0.61	0.49	0.35
32L	30K7	248	250	2.10	1.21	1.05	0.92	0.72	0.52
	40K7	248	250	2.10	1.21	1.05	0.92	0.72	0.52
	50K7	248	250	2.10	1.21	1.05	0.92	0.72	0.52

* Electrical data at 25°C (77°F). Actual wattage may differ by +/- 10% when operating between 120-277V or 347-480V +/- 10%. ** 3L, 5L and 7L are available with UL voltage only.

RSW-B Series Ambient Adjusted Lumen Maintenance ¹						
Ambient	Initial LMF	25K hr Reported ² LMF	50K hr Reported ² LMF	75K hr Reported ² LMF	100K hr Reported ² LMF	
5°C [41°F]	1.03	1.02	1.01	1.00	0.99	
10°C [50°F]	1.02	1.01	1.00	0.99	0.98	
15°C [59°F]	1.02	1.01	1.00	0.99	0.98	
20°C [68°F]	1.01	1.00	0.99	0.98	0.97	
25°C [77°F]	1.00	0.99	0.98	0.97	0.96	

¹ Lumen maintenance values at 25°C (77°F) are calculated per IES TM-21 based on IES LM-80 report data for the LED package and in-situ luminaire testing. Luminaire ambient temperature factors (LATF) have been applied to all lumen maintenance factors. Please refer to the [Temperature Zone Reference Document](#) for outdoor average nighttime ambient conditions.

² In accordance with IES TM-21, Reported values represent interpolated values based on time durations that are up to 6x the tested duration in the IES LM-80 report for the LED.

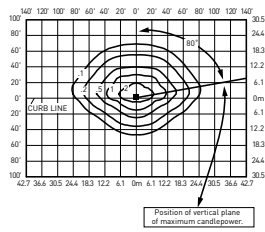
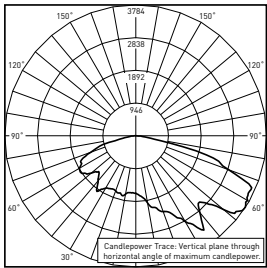
RSW™ LED Street Luminaire – Small, Medium, Large & Extra Large

Photometry

All published luminaire photometric testing performed to IES LM-79-08 standards. To obtain an IES file specific to your project consult:

<https://www.creelighting.com/products/outdoor/street-and-roadway/rsw-series>

2LG



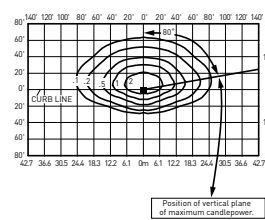
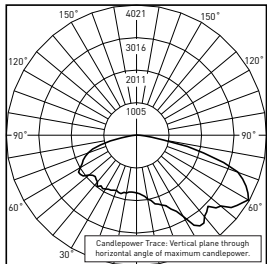
RESTL Test Report #: PL15985-001A
RSWM-B--2LG-9L-40K7-UL-**-N**
Initial Delivered Lumens: 8,575

RSWM-B--2LG-9L-40K7-UL-**-N**
Mounting Height: 25' [7.6m] A.F.G.
Initial Delivered Lumens: 9,000
Initial FC at grade

Type II Long Distribution														
Lumen Package	27K (80 CRI)		3000K (70 CRI)		3000K (80 CRI)		4000K (70 CRI)		4000K (80 CRI)		5000K (70 CRI)		5000K (80 CRI)	
	Initial Delivered Lumens*	BUG Ratings** per TM-15-11	Initial Delivered Lumens*	BUG Ratings** per TM-15-11	Initial Delivered Lumens*	BUG Ratings** per TM-15-11	Initial Delivered Lumens*	BUG Ratings** per TM-15-11	Initial Delivered Lumens*	BUG Ratings** per TM-15-11	Initial Delivered Lumens*	BUG Ratings** per TM-15-11	Initial Delivered Lumens*	BUG Ratings** per TM-15-11
3L	3,300	B1 U0 G1	3,300	B1 U0 G1	3,300	B1 U0 G1	3,300	B1 U0 G1	3,300	B1 U0 G1	3,300	B1 U0 G1	3,300	B1 U0 G1
5L	5,000	B1 U0 G1	5,000	B1 U0 G1	5,000	B1 U0 G1	5,000	B1 U0 G1	5,000	B1 U0 G1	5,000	B1 U0 G1	5,000	B1 U0 G1
7L	N/A	N/A	6,700	B2 U0 G2	N/A	N/A	7,000	B2 U0 G2	N/A	N/A	7,000	B2 U0 G2	N/A	N/A
9L	8,200	B2 U0 G2	9,000	B2 U0 G2	8,700	B2 U0 G2	9,000	B2 U0 G2	9,000	B2 U0 G2	9,000	B2 U0 G2	9,000	B2 U0 G2
14L	N/A	N/A	14,500	B3 U0 G3	N/A	N/A	14,500	B3 U0 G3	N/A	N/A	14,500	B3 U0 G3	N/A	N/A
24L	N/A	N/A	24,000	B3 U0 G3	N/A	N/A	24,000	B3 U0 G3	N/A	N/A	24,000	B3 U0 G3	N/A	N/A
32L	N/A	N/A	29,000	B3 U0 G3	N/A	N/A	32,000	B3 U0 G3	N/A	N/A	32,000	B3 U0 G3	N/A	N/A

* Initial delivered lumens at 25°C (77°F). Actual production yield may vary between -10 and +10% of initial delivered lumens

** For more information on the IES BUG (Backlight-Uplight-Glare) Rating visit: <https://www.ies.org/wp-content/uploads/2017/03/TM-15-11BUGRatingsAddendum.pdf>. Valid with no tilt



UL Verification Services Test Report #: 11705478-02
RSWM-A--2LG-9L-30K7-UL-**-N**
w/RSW-BLSM
Initial Delivered Lumens: 8,466

RSWM-B--2LG-9L-30K7-UL-**-N**
w/RSW-BLSM
Mounting Height: 25' [7.6m] A.F.G.
Initial Delivered Lumens: 8,250
Initial FC at grade

Type II Long Distribution w/BLS														
Lumen Package	27K (80 CRI)		3000K (70 CRI)		3000K (80 CRI)		4000K (70 CRI)		4000K (80 CRI)		5000K (70 CRI)		5000K (80 CRI)	
	Initial Delivered Lumens*	BUG Ratings** per TM-15-11	Initial Delivered Lumens*	BUG Ratings** per TM-15-11	Initial Delivered Lumens*	BUG Ratings** per TM-15-11	Initial Delivered Lumens*	BUG Ratings** per TM-15-11	Initial Delivered Lumens*	BUG Ratings** per TM-15-11	Initial Delivered Lumens*	BUG Ratings** per TM-15-11	Initial Delivered Lumens*	BUG Ratings** per TM-15-11
3L	3,040	B1 U0 G1	3,040	B1 U0 G1	3,040	B1 U0 G1	3,040	B1 U0 G1	3,040	B1 U0 G1	3,040	B1 U0 G1	3,040	B1 U0 G1
5L	4,610	B1 U0 G1	4,610	B1 U0 G1	4,610	B1 U0 G1	4,610	B1 U0 G1	4,610	B1 U0 G1	4,610	B1 U0 G1	4,610	B1 U0 G1
7L	N/A	N/A	6,175	B1 U0 G2	N/A	N/A	6,450	B1 U0 G2	N/A	N/A	6,450	B1 U0 G2	N/A	N/A
9L	7,525	B2 U0 G2	8,250	B2 U0 G2	7,975	B2 U0 G2	8,250	B2 U0 G2	8,250	B2 U0 G2	8,250	B2 U0 G2	8,250	B2 U0 G2
14L	N/A	N/A	12,800	B2 U0 G3	N/A	N/A	12,800	B2 U0 G3	N/A	N/A	12,800	B2 U0 G3	N/A	N/A
24L	N/A	N/A	N/A	N/A	N/A	N/A	N/A	N/A	N/A	N/A	N/A	N/A	N/A	N/A
32L	N/A	N/A	N/A	N/A	N/A	N/A	N/A	N/A	N/A	N/A	N/A	N/A	N/A	N/A

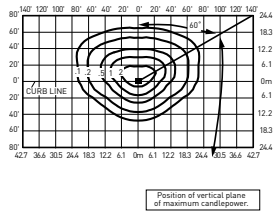
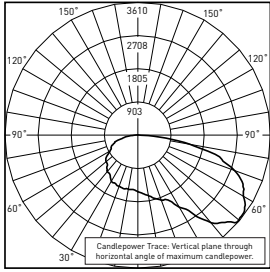
* Initial delivered lumens at 25°C (77°F). Actual production yield may vary between -10 and +10% of initial delivered lumens

** For more information on the IES BUG (Backlight-Uplight-Glare) Rating visit: <https://www.ies.org/wp-content/uploads/2017/03/TM-15-11BUGRatingsAddendum.pdf>. Valid with no tilt

Photometry

All published luminaire photometric testing performed to IES LM-79-08 standards. To obtain an IES file specific to your project consult: <https://www.creelighting.com/products/outdoor/street-and-roadway/rsw-series>

2ME

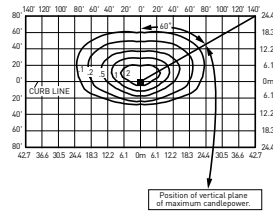
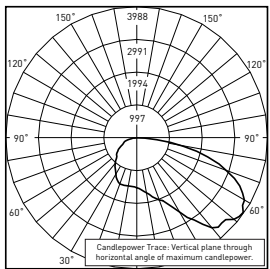


RESTL Test Report #: PL15984-001
RSWM-B--2ME-9L-50K7-UL-**-N**
Initial Delivered Lumens: 8,685

RSWM-B--2ME-9L-50K7-UL-**-N**
Mounting Height: 25' (7.6m) A.F.G.
Initial Delivered Lumens: 9,000
Initial FC at grade

Type II Medium Distribution														
Lumen Package	27K (80 CRI)		3000K (70 CRI)		3000K (80 CRI)		4000K (70 CRI)		4000K (80 CRI)		5000K (70 CRI)		5000K (80 CRI)	
	Initial Delivered Lumens*	BUG Ratings** per TM-15-11	Initial Delivered Lumens*	BUG Ratings** per TM-15-11	Initial Delivered Lumens*	BUG Ratings** per TM-15-11	Initial Delivered Lumens*	BUG Ratings** per TM-15-11	Initial Delivered Lumens*	BUG Ratings** per TM-15-11	Initial Delivered Lumens*	BUG Ratings** per TM-15-11	Initial Delivered Lumens*	BUG Ratings** per TM-15-11
3L	3,300	B1 U0 G1	3,300	B1 U0 G1	3,300	B1 U0 G1	3,300	B1 U0 G1	3,300	B1 U0 G1	3,300	B1 U0 G1	3,300	B1 U0 G1
5L	5,000	B1 U0 G2	5,000	B1 U0 G2	5,000	B1 U0 G2	5,000	B1 U0 G2	5,000	B1 U0 G2	5,000	B1 U0 G2	5,000	B1 U0 G2
7L	N/A	N/A	6,700	B2 U0 G2	N/A	N/A	7,000	B2 U0 G2	N/A	N/A	7,000	B2 U0 G2	N/A	N/A
9L	8,200	B2 U0 G2	9,000	B2 U0 G2	8,700	B2 U0 G2	9,000	B2 U0 G2	9,000	B2 U0 G2	9,000	B2 U0 G2	9,000	B2 U0 G2
14L	N/A	N/A	14,500	B3 U0 G3	N/A	N/A	14,500	B3 U0 G3	N/A	N/A	14,500	B3 U0 G3	N/A	N/A
24L	N/A	N/A	24,000	B3 U0 G4	N/A	N/A	24,000	B3 U0 G4	N/A	N/A	24,000	B3 U0 G4	N/A	N/A
32L	N/A	N/A	29,000	B3 U0 G4	N/A	N/A	32,000	B4 U0 G5	N/A	N/A	32,000	B4 U0 G5	N/A	N/A

* Initial delivered lumens at 25°C (77°F). Actual production yield may vary between -10 and +10% of initial delivered lumens
 ** For more information on the IES BUG (Backlight-Uplight-Glare) Rating visit: <https://www.ies.org/wp-content/uploads/2017/03/TM-15-11BUGRatingsAddendum.pdf>. Valid with no tilt



UL Verification Services Test Report #: 11705478.01
RSWM-A--2ME-9L-30K7-UL-**-N**
w/RSW-BLSM
Initial Delivered Lumens: 8,383

RSWM-B--2ME-9L-30K7-UL-**-N**
w/RSW-BLSM
Mounting Height: 25' (7.6m) A.F.G.
Initial Delivered Lumens: 8,250
Initial FC at grade

Type II Medium Distribution w/BLS														
Lumen Package	27K (80 CRI)		3000K (70 CRI)		3000K (80 CRI)		4000K (70 CRI)		4000K (80 CRI)		5000K (70 CRI)		5000K (80 CRI)	
	Initial Delivered Lumens*	BUG Ratings** per TM-15-11	Initial Delivered Lumens*	BUG Ratings** per TM-15-11	Initial Delivered Lumens*	BUG Ratings** per TM-15-11	Initial Delivered Lumens*	BUG Ratings** per TM-15-11	Initial Delivered Lumens*	BUG Ratings** per TM-15-11	Initial Delivered Lumens*	BUG Ratings** per TM-15-11	Initial Delivered Lumens*	BUG Ratings** per TM-15-11
3L	3,040	B1 U0 G1	3,040	B1 U0 G1	3,040	B1 U0 G1	3,040	B1 U0 G1	3,040	B1 U0 G1	3,040	B1 U0 G1	3,040	B1 U0 G1
5L	4,610	B1 U0 G2	4,610	B1 U0 G2	4,610	B1 U0 G2	4,610	B1 U0 G2	4,610	B1 U0 G2	4,610	B1 U0 G2	4,610	B1 U0 G2
7L	N/A	N/A	6,175	B1 U0 G2	N/A	N/A	6,450	B1 U0 G2	N/A	N/A	6,450	B1 U0 G2	N/A	N/A
9L	7,525	B1 U0 G2	8,250	B2 U0 G2	7,975	B2 U0 G2	8,250	B2 U0 G2	8,250	B2 U0 G2	8,250	B2 U0 G2	8,250	B2 U0 G2
14L	N/A	N/A	12,800	B2 U0 G3	N/A	N/A	12,800	B2 U0 G3	N/A	N/A	12,800	B2 U0 G3	N/A	N/A
24L	N/A	N/A	N/A	N/A	N/A	N/A	N/A	N/A	N/A	N/A	N/A	N/A	N/A	N/A
32L	N/A	N/A	N/A	N/A	N/A	N/A	N/A	N/A	N/A	N/A	N/A	N/A	N/A	N/A

* Initial delivered lumens at 25°C (77°F). Actual production yield may vary between -10 and +10% of initial delivered lumens
 ** For more information on the IES BUG (Backlight-Uplight-Glare) Rating visit: <https://www.ies.org/wp-content/uploads/2017/03/TM-15-11BUGRatingsAddendum.pdf>. Valid with no tilt

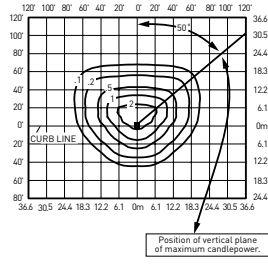
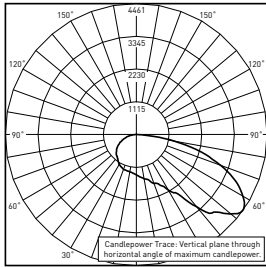
RSW™ LED Street Luminaire – Small, Medium, Large & Extra Large

Photometry

All published luminaire photometric testing performed to IES LM-79-08 standards. To obtain an IES file specific to your project consult:

<https://www.creelighting.com/products/outdoor/street-and-roadway/rsw-series>

3ME



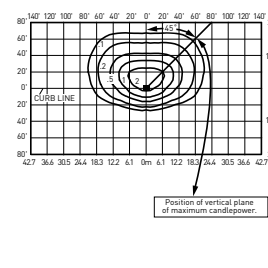
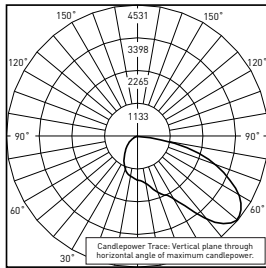
RESTL Test Report #: PL15958-001A
RSWM-B--3ME-9L-40K7-UL-**-N**
Initial Delivered Lumens: 8,705

RSWM-B--3ME-9L-40K7-UL-**-N**
Mounting Height: 25' (7.6m) A.F.G.
Initial Delivered Lumens: 9,000
Initial FC at grade

Type III Medium Distribution														
Lumen Package	27K (80 CRI)		3000K (70 CRI)		3000K (80 CRI)		4000K (70 CRI)		4000K (80 CRI)		5000K (70 CRI)		5000K (80 CRI)	
	Initial Delivered Lumens*	BUG Ratings** per TM-15-11	Initial Delivered Lumens*	BUG Ratings** per TM-15-11	Initial Delivered Lumens*	BUG Ratings** per TM-15-11	Initial Delivered Lumens*	BUG Ratings** per TM-15-11	Initial Delivered Lumens*	BUG Ratings** per TM-15-11	Initial Delivered Lumens*	BUG Ratings** per TM-15-11	Initial Delivered Lumens*	BUG Ratings** per TM-15-11
3L	3,300	B1 U0 G1	3,300	B1 U0 G1	3,300	B1 U0 G1	3,300	B1 U0 G1	3,300	B1 U0 G1	3,300	B1 U0 G1	3,300	B1 U0 G1
5L	5,000	B1 U0 G1	5,000	B1 U0 G1	5,000	B1 U0 G1	5,000	B1 U0 G1	5,000	B1 U0 G1	5,000	B1 U0 G1	5,000	B1 U0 G1
7L	N/A	N/A	6,700	B1 U0 G2	N/A	N/A	7,000	B1 U0 G2	N/A	N/A	7,000	B1 U0 G2	N/A	N/A
9L	8,200	B2 U0 G2	9,000	B2 U0 G2	8,700	B2 U0 G2	9,000	B2 U0 G2	9,000	B2 U0 G2	9,000	B2 U0 G2	9,000	B2 U0 G2
14L	N/A	N/A	14,500	B2 U0 G3	N/A	N/A	14,500	B2 U0 G3	N/A	N/A	14,500	B2 U0 G3	N/A	N/A
24L	N/A	N/A	24,000	B3 U0 G3	N/A	N/A	24,000	B3 U0 G3	N/A	N/A	24,000	B3 U0 G3	N/A	N/A
32L	N/A	N/A	29,000	B3 U0 G4	N/A	N/A	32,000	B3 U0 G4	N/A	N/A	32,000	B3 U0 G4	N/A	N/A

* Initial delivered lumens at 25°C (77°F). Actual production yield may vary between -10 and +10% of initial delivered lumens

** For more information on the IES BUG (Backlight-Uplight-Glare) Rating visit: <https://www.ies.org/wp-content/uploads/2017/03/TM-15-11BUGRatingsAddendum.pdf>. Valid with no tilt



UL Verification Services Test Report #
 11705478.03
RSWM-A--3ME-9L-30K7-UL-**-N**
w/RSW-BLSM
Initial Delivered Lumens: 8,532

RSWM-B--3ME-9L-30K7-UL-**-N**
w/RSW-BLSM
Mounting Height: 25' (7.6m) A.F.G.
Initial Delivered Lumens: 8,250
Initial FC at grade

Type III Medium Distribution w/BLS														
Lumen Package	27K (80 CRI)		3000K (70 CRI)		3000K (80 CRI)		4000K (70 CRI)		4000K (80 CRI)		5000K (70 CRI)		5000K (80 CRI)	
	Initial Delivered Lumens*	BUG Ratings** per TM-15-11	Initial Delivered Lumens*	BUG Ratings** per TM-15-11	Initial Delivered Lumens*	BUG Ratings** per TM-15-11	Initial Delivered Lumens*	BUG Ratings** per TM-15-11	Initial Delivered Lumens*	BUG Ratings** per TM-15-11	Initial Delivered Lumens*	BUG Ratings** per TM-15-11	Initial Delivered Lumens*	BUG Ratings** per TM-15-11
3L	3,040	B1 U0 G1	3,040	B1 U0 G1	3,040	B1 U0 G1	3,040	B1 U0 G1	3,040	B1 U0 G1	3,040	B1 U0 G1	3,040	B1 U0 G1
5L	4,610	B1 U0 G2	4,610	B1 U0 G2	4,610	B1 U0 G2	4,610	B1 U0 G2	4,610	B1 U0 G2	4,610	B1 U0 G2	4,610	B1 U0 G2
7L	N/A	N/A	6,175	B1 U1 G2	N/A	N/A	6,450	B1 U1 G2	N/A	N/A	6,450	B1 U1 G2	N/A	N/A
9L	7,525	B1 U1 G2	8,250	B1 U1 G2	7,975	B1 U1 G2	8,250	B1 U1 G2	8,250	B1 U1 G2	8,250	B1 U1 G2	8,250	B1 U1 G2
14L	N/A	N/A	12,800	B2 U1 G3	N/A	N/A	12,800	B2 U1 G3	N/A	N/A	12,800	B2 U1 G3	N/A	N/A
24L	N/A	N/A	N/A	N/A	N/A	N/A	N/A	N/A	N/A	N/A	N/A	N/A	N/A	N/A
32L	N/A	N/A	N/A	N/A	N/A	N/A	N/A	N/A	N/A	N/A	N/A	N/A	N/A	N/A






* Initial delivered lumens at 25°C (77°F). Actual production yield may vary between -10 and +10% of initial delivered lumens

** For more information on the IES BUG (Backlight-Uplight-Glare) Rating visit: <https://www.ies.org/wp-content/uploads/2017/03/TM-15-11BUGRatingsAddendum.pdf>. Valid with no tilt

RSW™ LED Street Luminaire – Small, Medium, Large & Extra Large

Luminaire EPA

Horizontal Tenon Mount – RSWs Weight: 9.4 lbs. (4.3kg); RSW-BLSS, RSW-CLSS, or RSW-FLSS Accessories: add 0.4 lbs. (0.2kg); RSWM Weight: 15.6 lbs. (7.1kg); RSW-BLSM Accessory: add 0.4 lbs. (0.2kg); RSW-CLSM or RSW-FLSM Accessories: add 0.6 lbs. (0.3kg); RSWL Weight: 20.2 lbs. (9.2kg); RSW-BLSL Accessory: add 0.6 lbs. (0.3kg); RSWX: Weight: 28.8 lbs. (13.1kg)

	Single	2 @ 90°	2 @ 180°	3 @ 90°	4 @ 90°
Luminaire	Tenon Configuration (0°-80° Tilt); If used with Cree Lighting tenons, please add tenon EPA with Luminaire EPA				
					
	PD-1H4; PT-1H	PD-2H4(90); PT-2H(90)	PD-2H4(180); PT-2H(180)	PD-3H4(90); PT-3H(90)	PD-4H4(90); PT-4H(90)
RSWS	0.61	0.89	1.22	1.50	1.78
RSWM	0.86	1.24	1.71	2.10	2.49
RSWL	1.00	1.55	2.00	2.55	3.10
RSWX	1.17	1.93	2.33	3.09	3.85
RSWS Luminaire w/RSW-BLSS, RSW-CLSS or RSW-FLSS Accessory	0.61	1.25	1.22	1.85	2.49
RSWM Luminaire w/RSW-BLSM, RSW-CLSM or RSW-FLSM Accessory	0.86	1.59	1.71	2.45	3.19
RSWL Luminaire w/RSW-BLSL Accessory	1.01	2.16	2.01	3.17	4.33

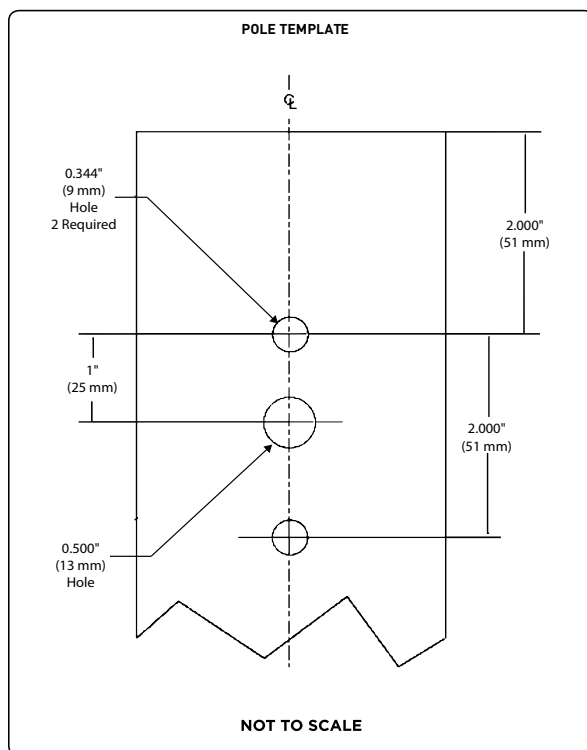
Tenon EPA

Part Number	EPA
PD Series Tenons	0.09
PT Series Tenons	0.10
WM-2L	0.13
XA-TMDA8	0.19

Tenons and Brackets* (must specify color)	
<p>Square Internal Mount Horizontal Tenons (Aluminum)</p> <ul style="list-style-type: none"> - Mounts to 4" (102mm) square aluminum or steel poles PD-1H4 – Single PD-3H4(90) – 90° Triple PD-2H4(90) – 90° Twin PD-4H4(90) – 90° Quad PD-2H4(180) – 180° Twin <p>Wall Mount Brackets</p> <ul style="list-style-type: none"> - Mounts to wall or roof WM-2L – Extended Horizontal 	<p>Round External Mount Horizontal Tenons (Aluminum)</p> <ul style="list-style-type: none"> - Mounts to 2.375"-3" (60-76mm) O.D. round aluminum or steel poles or tenons PT-1H – Single PT-3H(90) – 90° Triple PT-2H(90) – 90° Twin PT-4H(90) – 90° Quad PT-2H(180) – 180° Twin <p>Direct Arm Pole Adaptor Bracket</p> <ul style="list-style-type: none"> - Mounts to 3-6" (76-152mm) round or square aluminum or steel poles XA-TMDA8

* Refer to the [Bracket and Tenons spec sheet](#) for more details

Fixture Mounting Drill Pattern for XA-TMDA8



RSW™ LED Street Luminaire – Small, Medium, Large & Extra Large

Field Adjustable Output (Q4/Q3/Q2/Q1) Option Description:

The Field Adjustable Output option enables the street and area luminaire within the RSW Series on this page to be tuned to the exact needs of a particular application through multiple levels of adjustment. When ordered with the Q option, the luminaire will be shipped from the factory at the selected lumen output, will be fully adjustable between the outputs, and will include a wattage label that indicates the wattage of the luminaire at the selected lumen output (Rounded to nearest 10 watts per ANSI C136.15-2015.). Additional dimming functionality is available when a dimming control (by others) is used in the 7-Pin receptacle.

Locked Lumen Output (X3/X2/X1) Option Description:

The Locked Lumen Output option on this page permanently locks the lumen output on the RSW Series street and area luminaire to the setting selected. When ordered with the X option, the luminaire will be shipped from the factory at the lumen output setting selected, and will include a wattage label that indicates the wattage of the setting selected. When this option is selected, the luminaire output is not able to be adjusted in the field except if a dimming control (by others) is used in the 7-Pin receptacle.

Q & X Option Power & Lumen Data – 3L

Q Setting	X Setting	CCT/CRI	System Watts †		Lumen Values		Optics Qualified on DLC QPL	
			120-277V	Label Wattage	2LG, 2ME, 3ME	w/BLS	DLC QPL Standard	DLC QPL Premium
Q4 (Full Power)	N/A (Full Power)	27K8	29	30	3,300	3,040		
		30K7	27	30				
		30K8	29	30				
		40K7	25	30				
		40K8	27	30				
		50K7	25	30				
		50K8	27	30				
Q3	X3	27K8	24	20	2,730	2,520		
		30K7	22	20				
		30K8	24	20				
		40K7	21	20				
		40K8	22	20				
		50K7	21	20				
		50K8	22	20				
Q2	X2	27K8	19	20	2,230	2,060		
		30K7	18	20				
		30K8	19	20				
		40K7	17	20				
		40K8	18	20				
		50K7	17	20				
		50K8	18	20				
Q1	X1	27K8	15	20	1,730	1,600		
		30K7	14	10				
		30K8	15	20				
		40K7	13	10				
		40K8	14	10				
		50K7	13	10				
		50K8	14	10				

† Electrical and lumen data at 25°C (77°F). Actual wattage and lumen output may differ by +/-10% when operating between 120-277V +/-10%

Field Adjustable Output (Q4/Q3/Q2/Q1) Option Description:

The Field Adjustable Output option enables the street and area luminaire within the RSW Series on this page to be tuned to the exact needs of a particular application through multiple levels of adjustment. When ordered with the Q option, the luminaire will be shipped from the factory at the selected lumen output, will be fully adjustable between the outputs, and will include a wattage label that indicates the wattage of the luminaire at the selected lumen output (Rounded to nearest 10 watts per ANSI C136.15-2015.). Additional dimming functionality is available when a dimming control (by others) is used in the 7-Pin receptacle.

Locked Lumen Output (X3/X2/X1) Option Description:

The Locked Lumen Output option on this page permanently locks the lumen output on the RSW Series street and area luminaire to the setting selected. When ordered with the X option, the luminaire will be shipped from the factory at the lumen output setting selected, and will include a wattage label that indicates the wattage of the setting selected. When this option is selected, the luminaire output is not able to be adjusted in the field except if a dimming control (by others) is used in the 7-Pin receptacle.

Q & X Option Power & Lumen Data – 5L

Q Setting	X Setting	CCT/CRI	System Watts †	Label Wattage	Lumen Values		Optics Qualified on DLC QPL	
			120-277V		2LG, 2ME, 3ME	w/BLS	DLC QPL Standard	DLC QPL Premium
Q4 (Full Power)	N/A (Full Power)	27K8	45	50	5,000	4,610		
		30K7	42	40				
		30K8	45	50				
		40K7	40	40				
		40K8	45	50				
		50K7	40	40				
		50K8	45	50				
Q3	X3	27K8	40	40	4,610	4,250		
		30K7	38	40				
		30K8	40	40				
		40K7	36	40				
		40K8	40	40				
		50K7	36	40				
		50K8	40	40				
Q2	X2	27K8	36	40	4,180	3,850		
		30K7	34	30				
		30K8	36	40				
		40K7	33	30				
		40K8	36	40				
		50K7	33	30				
		50K8	36	40				
Q1	X1	27K8	32	30	3,720	3,430		
		30K7	30	30				
		30K8	32	30				
		40K7	29	30				
		40K8	32	30				
		50K7	29	30				
		50K8	32	30				

† Electrical and lumen data at 25°C (77°F). Actual wattage and lumen output may differ by +/-10% when operating between 120-277V +/-10%

Field Adjustable Output (Q4/Q3/Q2/Q1) Option Description:

The Field Adjustable Output option enables the street and area luminaire within the RSW Series on this page to be tuned to the exact needs of a particular application through multiple levels of adjustment. When ordered with the Q option, the luminaire will be shipped from the factory at the selected lumen output, will be fully adjustable between the outputs, and will include a wattage label that indicates the wattage of the luminaire at the selected lumen output (Rounded to nearest 10 watts per ANSI C136.15-2015.). Additional dimming functionality is available when a dimming control (by others) is used in the 7-Pin receptacle.

Locked Lumen Output (X3/X2/X1) Option Description:

The Locked Lumen Output option on this page permanently locks the lumen output on the RSW Series street and area luminaire to the setting selected. When ordered with the X option, the luminaire will be shipped from the factory at the lumen output setting selected, and will include a wattage label that indicates the wattage of the setting selected. When this option is selected, the luminaire output is not able to be adjusted in the field except if a dimming control (by others) is used in the 7-Pin receptacle.

Q & X Option Power & Lumen Data – 7L

Q Setting	X Setting	CCT/CRI	System Watts †	Label Wattage	Lumen Values		Optics Qualified on DLC QPL	
			120-277V		2LG, 2ME, 3ME	w/BLS	DLC QPL Standard	DLC QPL Premium
Q4 (Full Power)	N/A (Full Power)	30K7	51	50	6,700	6,175		
		40K7	50	50	7,000	6,450		
		50K7	50	50	7,000	6,450		
Q3	X3	30K7	45	50	6,125	5,650		
		40K7	45	50	6,400	5,900		
		50K7	45	50	6,400	5,900		
Q2	X2	30K7	40	40	5,475	5,050		
		40K7	39	40	5,700	5,260		
		50K7	39	40	5,700	5,260		
Q1	X1	30K7	35	40	4,850	4,470		
		40K7	35	40	5,075	4,680		
		50K7	35	40	5,075	4,680		

† Electrical and lumen data at 25°C (77°F). Actual wattage and lumen output may differ by +/-10% when operating between 120-277V +/-10%

RSW™ LED Street Luminaire – Small, Medium, Large & Extra Large

Field Adjustable Output (Q8/Q7/Q6/Q5/Q4/Q3/Q2/Q1) Option Description:

The Field Adjustable Output option enables the street and area luminaire within the RSW Series on this page to be tuned to the exact needs of a particular application through multiple levels of adjustment. When ordered with the Q option, the luminaire will be shipped from the factory at the selected lumen output, will be fully adjustable between the outputs, and will include a wattage label that indicates the wattage of the luminaire at the selected lumen output (Rounded to nearest 10 watts per ANSI C136.15-2015.). Additional dimming functionality is available when a dimming control (by others) is used in the 7-Pin receptacle.

Locked Lumen Output (X7/X6/X5/X4/X3/X2/X1) Option Description:

The Locked Lumen Output option on this page permanently locks the lumen output on the RSW Series street and area luminaire to the setting selected. When ordered with the X option, the luminaire will be shipped from the factory at the lumen output setting selected, and will include a wattage label that indicates the wattage of the setting selected. When this option is selected, the luminaire output is not able to be adjusted in the field except if a dimming control (by others) is used in the 7-Pin receptacle.

Q & X Option Power & Lumen Data – 9L

Q Setting	X Setting	CCT/CRI	System Watts [†] 120-277V	Label Wattage	Lumen Values		Optics Qualified on DLC QPL	
					2LG, 2ME, 3ME	w/BLS	DLC QPL Standard	DLC QPL Premium
Q8 (Full Power)	N/A (Full Power)	27K8	76	80	8,200	7,525		
		30K7	73	70	9,000	8,250		
		30K8	76	80	8,700	7,975		
		40K7	64	60	9,000	8,250		
		40K8	76	80				
		50K7	64	60				
		50K8	76	80				
Q7	X7	27K8	73	70	7,925	7,275		
		30K7	70	70	8,700	7,975		
		30K8	73	70	8,400	7,700		
		40K7	61	60	8,700	7,975		
		40K8	73	70				
		50K7	61	60				
		50K8	73	70				
Q6	X6	27K8	69	70	7,575	6,950		
		30K7	66	70	8,275	7,600		
		30K8	69	70	8,025	7,375		
		40K7	58	60	8,275	7,600		
		40K8	69	70				
		50K7	58	60				
		50K8	69	70				
Q5	X5	27K8	63	60	7,050	6,475		
		30K7	61	60	7,725	7,100		
		30K8	63	60	7,475	6,850		
		40K7	53	50	7,725	7,100		
		40K8	63	60				
		50K7	53	50				
		50K8	63	60				
Q4	X4	27K8	61	60	6,850	6,275		
		30K7	59	60	7,500	6,875		
		30K8	61	60	7,275	6,675		
		40K7	52	50	7,500	6,875		
		40K8	61	60				
		50K7	52	50				
		50K8	61	60				
Q3	X3	27K8	58	60	6,500	5,975		
		30K7	56	60	7,100	6,525		
		30K8	58	60	6,900	6,325		
		40K7	49	50	7,100	6,525		
		40K8	58	60				
		50K7	49	50				
		50K8	58	60				
Q2	X2	27K8	56	60	6,300	5,775		
		30K7	54	50	6,875	6,300		
		30K8	56	60	6,675	6,125		
		40K7	47	50	6,875	6,300		
		40K8	56	60				
		50K7	47	50				
		50K8	56	60				
Q1	X1	27K8	49	50	5,625	5,175		
		30K7	47	50	6,125	5,625		
		30K8	49	50	5,975	5,475		
		40K7	42	40	6,125	5,625		
		40K8	49	50				
		50K7	42	40				
		50K8	49	50				

[†] Electrical and lumen data at 25°C (77°F). Actual wattage and lumen output may differ by +/-10% when operating between 120-277V or 347-480V +/-10%

Field Adjustable Output (Q9/Q8/Q7/Q6/Q5/Q4/Q3/Q2/Q1) Option Description:

The Field Adjustable Output option enables the street and area luminaire within the RSW Series on this page to be tuned to the exact needs of a particular application through multiple levels of adjustment. When ordered with the Q option, the luminaire will be shipped from the factory at the selected lumen output, will be fully adjustable between the outputs, and will include a wattage label that indicates the wattage of the luminaire at the selected lumen output (Rounded to nearest 10 watts per ANSI C136.15-2015.). Additional dimming functionality is available when a dimming control (by others) is used in the 7-Pin receptacle.

Locked Lumen Output (X8/X7/X6/X5/X4/X3/X2/X1) Option Description:

The Locked Lumen Output option on this page permanently locks the lumen output on the RSW Series street and area luminaire to the setting selected. When ordered with the X option, the luminaire will be shipped from the factory at the lumen output setting selected, and will include a wattage label that indicates the wattage of the setting selected. When this option is selected, the luminaire output is not able to be adjusted in the field except if a dimming control (by others) is used in the 7-Pin receptacle.

Q & X Option Power & Lumen Data – 14L

Q Setting	X Setting	CCT/CRI	System Watts †		Lumen Values		Optics Qualified on DLC QPL	
			120-277V	Label Wattage	2LG, 2ME, 3ME	w/BLS	DLC QPL Standard	DLC QPL Premium
Q9 (Full Power)	N/A (Full Power)	30K7	108	110	14,500	12,800		
		40K7	111	110				
		50K7	111	110				
Q8	X8	30K7	103	100	14,025	12,400		
		40K7	105	110				
		50K7	105	110				
Q7	X7	30K7	97	100	13,400	11,825		
		40K7	99	100				
		50K7	99	100				
Q6	X6	30K7	93	90	12,950	11,450		
		40K7	95	100				
		50K7	95	100				
Q5	X5	30K7	85	90	11,950	10,550		
		40K7	86	90				
		50K7	86	90				
Q4	X4	30K7	79	80	11,175	9,875		
		40K7	80	80				
		50K7	80	80				
Q3	X3	30K7	70	70	10,175	9,000		
		40K7	71	70				
		50K7	71	70				
Q2	X2	30K7	63	60	9,225	8,150		
		40K7	64	60				
		50K7	64	60				
Q1	X1	30K7	57	60	8,425	7,450		
		40K7	57	60				
		50K7	57	60				

† Electrical and lumen data at 25°C (77°F). Actual wattage and lumen output may differ by +/-10% when operating between 120-277V or 347-480V +/-10%

Field Adjustable Output (Q9/Q8/Q7/Q6/Q5/Q4/Q3/Q2/Q1) Option Description:

The Field Adjustable Output option enables the street and area luminaire within the RSW Series on this page to be tuned to the exact needs of a particular application through multiple levels of adjustment. When ordered with the Q option, the luminaire will be shipped from the factory at the selected lumen output, will be fully adjustable between the outputs, and will include a wattage label that indicates the wattage of the luminaire at the selected lumen output (Rounded to nearest 10 watts per ANSI C136.15-2015.). Additional dimming functionality is available when a dimming control (by others) is used in the 7-Pin receptacle.

Locked Lumen Output (X8/X7/X6/X5/X4/X3/X2/X1) Option Description:

The Locked Lumen Output option on this page permanently locks the lumen output on the RSW Series street and area luminaire to the setting selected. When ordered with the X option, the luminaire will be shipped from the factory at the lumen output setting selected, and will include a wattage label that indicates the wattage of the setting selected. When this option is selected, the luminaire output is not able to be adjusted in the field except if a dimming control (by others) is used in the 7-Pin receptacle.

Q & X Option Power & Lumen Data – 24L

Q Setting	X Setting	CCT/CRI	System Watts †		Lumen Values		Optics Qualified on DLC QPL	
			120-277V	Label Wattage	2LG, 2ME, 3ME	w/BLS	DLC QPL Standard	DLC QPL Premium
Q9 (Full Power)	N/A (Full Power)	30K7	194	190	24,000	N/A		
		40K7	167	170				
		50K7	167	170				
Q8	X8	30K7	185	190	23,200	N/A		
		40K7	160	160				
		50K7	160	160				
Q7	X7	30K7	174	170	22,100	N/A		
		40K7	151	150				
		50K7	151	150				
Q6	X6	30K7	167	170	21,300	N/A		
		40K7	145	150				
		50K7	145	150				
Q5	X5	30K7	152	150	19,600	N/A		
		40K7	132	130				
		50K7	132	130				
Q4	X4	30K7	140	140	18,300	N/A		
		40K7	122	120				
		50K7	122	120				
Q3	X3	30K7	125	130	16,600	N/A		
		40K7	108	110				
		50K7	108	110				
Q2	X2	30K7	111	110	15,000	N/A		
		40K7	97	100				
		50K7	97	100				
Q1	X1	30K7	100	100	13,700	N/A		
		40K7	87	90				
		50K7	87	90				

† Electrical and lumen data at 25°C (77°F). Actual wattage and lumen output may differ by +/-10% when operating between 120-277V or 347-480V +/-10%

Field Adjustable Output (Q9/Q8/Q7/Q6/Q5/Q4/Q3/Q2/Q1) Option Description:

The Field Adjustable Output option enables the street and area luminaire within the RSW Series on this page to be tuned to the exact needs of a particular application through multiple levels of adjustment. When ordered with the Q option, the luminaire will be shipped from the factory at the selected lumen output, will be fully adjustable between the outputs, and will include a wattage label that indicates the wattage of the luminaire at the selected lumen output (Rounded to nearest 10 watts per ANSI C136.15-2015.). Additional dimming functionality is available when a dimming control (by others) is used in the 7-Pin receptacle.

Locked Lumen Output (X8/X7/X6/X5/X4/X3/X2/X1) Option Description:

The Locked Lumen Output option on this page permanently locks the lumen output on the RSW Series street and area luminaire to the setting selected. When ordered with the X option, the luminaire will be shipped from the factory at the lumen output setting selected, and will include a wattage label that indicates the wattage of the setting selected. When this option is selected, the luminaire output is not able to be adjusted in the field except if a dimming control (by others) is used in the 7-Pin receptacle.

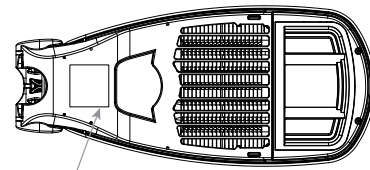
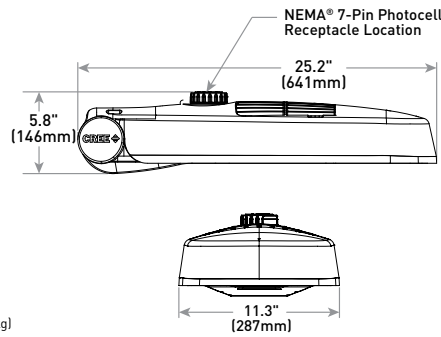
Q & X Option Power & Lumen Data – 32L

Q Setting	X Setting	CCT/CRI	System Watts †	Label Wattage	Lumen Values		Optics Qualified on DLC QPL	
			120-277V		2LG, 2ME, 3ME	w/BLS	DLC QPL Standard	DLC QPL Premium
Q9 (Full Power)	N/A (Full Power)	30K7	248	250	29,000	N/A		
		40K7	248	250	32,000			
		50K7	248	250				
Q8	X8	30K7	237	240	28,000	N/A		
		40K7	237	240	30,900			
		50K7	237	240				
Q7	X7	30K7	223	220	26,800	N/A		
		40K7	223	220	29,600			
		50K7	223	220				
Q6	X6	30K7	213	210	25,900	N/A		
		40K7	213	210	28,600			
		50K7	213	210				
Q5	X5	30K7	193	190	23,900	N/A		
		40K7	193	190	26,400			
		50K7	193	190				
Q4	X4	30K7	178	180	22,400	N/A		
		40K7	178	180	24,700			
		50K7	178	180				
Q3	X3	30K7	159	160	20,300	N/A		
		40K7	159	160	22,400			
		50K7	159	160				
Q2	X2	30K7	142	140	18,500	N/A		
		40K7	142	140	20,400			
		50K7	142	140				
Q1	X1	30K7	127	130	16,900	N/A		
		40K7	127	130	18,700			
		50K7	127	130				

† Electrical and lumen data at 25°C (77°F). Actual wattage and lumen output may differ by +/-10% when operating between 120-277V or 347-480V +/-10%

RSW™ LED Street Luminaire – Small, Medium, Large & Extra Large

RSWM

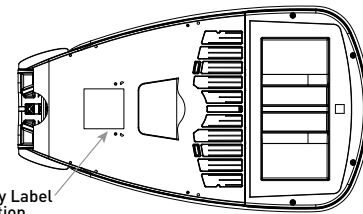
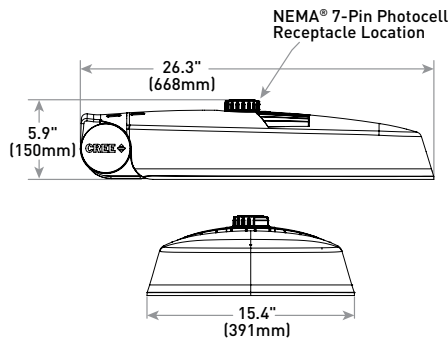


Utility Label Location

Weight*
15.6 lbs. (7.1kg)

* RSW-BLSM Accessory: add 0.4 lbs. (0.2kg);
RSW-CLSM or RSW-FLSM Accessories: add 0.6 lbs. (0.3kg)

RSWL

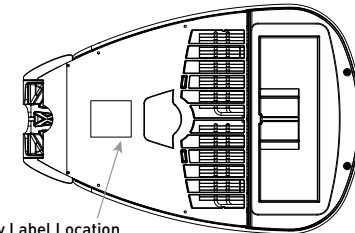
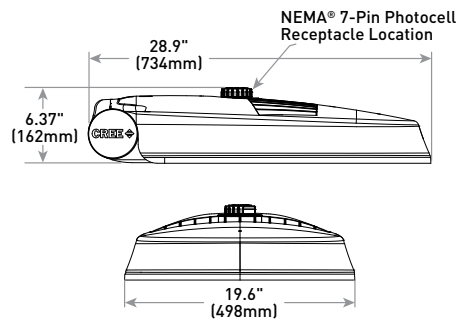


Utility Label Location

Weight*
20.2 lbs. (9.2kg)

*RSW-BLSL Accessory: add 0.6 lbs. (0.3kg)

RSWX



Utility Label Location

Weight
28.8 lbs. (13.1kg)

© 2020 Cree Lighting, A company of IDEAL INDUSTRIES. All rights reserved. For informational purposes only. Content is subject to change. Patent www.creelighting.com/patents. Cree® and the Cree logo are registered trademarks of Cree, Inc. WaveMax® is a registered trademark, and RSW™ and DiamondFacet™ are trademarks of Cree Lighting, A company of IDEAL INDUSTRIES. The UL logo is a registered trademark of UL LLC. NEMA® is a registered trademark of the National Electrical Manufacturers Association. Synapse® is a registered trademark of Synapse Wireless, Inc. Verizon® is a registered trademark of Verizon Trademark Services LLC.