



TRUSTEES MEETING NOTICE & AGENDA
TUESDAY, NOVEMBER 22, 2016 at 6:30 PM
LINCOLN HALL, 2 LINCOLN STREET, ESSEX JUNCTION, VT 05452

1. **CALL TO ORDER/PLEDGE OF ALLEGIANCE TO FLAG** [6:30 PM]
2. **AGENDA ADDITIONS/CHANGES**
3. **APPROVE AGENDA**
4. **GUESTS, PRESENTATIONS AND PUBLIC HEARINGS**
 - a. Comments from Public on Items Not on Agenda
5. **OLD BUSINESS**
 - a. Adoption of Amended Land Development Code – Robin Pierce
 - b. Champlain Water District Easement on Cascade Street – Pat Scheidel
6. **NEW BUSINESS**
 - a. Transfer General Fund fund balance for Library Building Repairs – Lauren Morrisseau
7. **MANAGER’S REPORT**
 - a. Trustees meeting schedule
 - b. Youth Services Librarian Job Description
 - c. Memo about Consolidation of Clerk’s office
8. **TRUSTEES’ COMMENTS & CONCERNS/READING FILE**
 - a. Board Member Comments
 - b. Minutes from Other Boards/Committees:
 - Tree Advisory Committee 11/1/16
 - Bike/Walk Advisory Committee 11/14/16
 - c. Letter from Frank Cioffi, President, GBIC, re: FYE 18 appropriation
 - d. Robin Pierce’s response to Nick Meyer’s letter to Trustees
 - e. Email from Water Infrastructure Finance Team at Dept. of Environmental Conservation
9. **CONSENT AGENDA**
 - a. Minutes of Previous Meeting 11/8/16
 - b. Expense Warrant #17019 dated 11/10/16 in the amount of \$21,644.78
 - c. FYE 17 Budget Status Report as of 10/31/16
10. **ADJOURN**

Meetings of the Trustees are accessible to people with disabilities. For information on accessibility or this agenda, call the Village Manager’s office at 878-6944.

Agenda Addition
4a.

Memorandum

TO: Patrick C. Scheidel, Municipal Manager and the Trustees
FROM: Dennis Lutz, P.E., Public Works Director
DATE: 21 November 2016
SUBJECT: Request from Mobilite regarding the placement of a 120-foot high, 3-foot diameter communication tower in the public right of way on Pearl Street in the Village

ISSUE: The issue is whether or not the Village Trustees will approve a request from Mobilite to place a 120-foot high, 3-foot diameter communication tower in the public right of way on Pearl Street in the Village.

DISCUSSION; A phone call was forwarded to me from the Village offices in early November from a Jennile Smith representing a company called Mobilite. The e-mails that followed the phone conversation are attached. Also attached is the proposal from Mobilite showing the proposed location and information on the pole.

The information was then provided to Robin Pierce, Ricky Jones, Rick Hamlin and Dave Barra. I requested a copy of the company's filing for public good with the Vermont Public Service Board and asked Dave Barra to provide information regarding what local impact there is based on the PSB certificate. I am awaiting an answer from Dave Barra but the PSB certificate is attached. Other e-mails have been circulated internally and these are also attached.

It should be noted that Colchester has received one application from the same company this past summer and denied the request. They have recently reapplied for another location and it appears the second location is no better than the first. There is an e-mail from Colchester on this.

With respect to the proposed location, the staff recommendation is for the Trustees to deny the request. The height of the pole is totally out of context with the surrounding properties and other utility infrastructure in the right of way at this location. In addition, there is a municipal sewer line immediately under the proposed location. A three foot diameter pole would place the pole within the roadway clear space and pose a hazard to motorists.

In addition, most of the right of way in both the Town and the Village is only 3-rod and where there is a wider right of way, that right of way is occupied with added width of roadway, sidewalks and other utilities. Staff is not aware of any location in the Village's public right of way where such a pole could safely be located and be in context with the surrounding properties and existing infrastructure. If such a pole is to be proposed, it should be located on private property and subject to the Village's Land Development Code.

Further, it is not the function of staff to assist the applicant in locating potential sites. In communication to the applicant, this should be made clear. We do not have the time nor is it our responsibility to provide this form of assistance.

RECOMMENDATION: It is recommended that the Trustees deny the request

Dennis Lutz

From: Robin Pierce <robin@essexjunction.org>
Sent: Monday, November 7, 2016 2:44 PM
To: Dennis Lutz; Rick Jones (rickessexjunction@yahoo.com); Richard F. Hamlin, P.E.
Cc: Terry Hass
Subject: RE: Mobilitie Proposal

Thanks Dennis, they need Trustee approval for anything in the Village ROW. We did not receive notice of this proposal if it went before the PSB.

Robin.

From: Dennis Lutz [mailto:dlutz@ESSEX.ORG]
Sent: Monday, November 07, 2016 1:47 PM
To: Rick Jones (rickessexjunction@yahoo.com) <rickessexjunction@yahoo.com>; Richard F. Hamlin, P.E. <rhamlin@dlhce.com>; Robin Pierce <robin@essexjunction.org>
Subject: FW: Mobilitie Proposal

All,

I just talked to this person on the phone. Evidently their application went to the Town by mistake. They are coming to the Village to seek approval to put this pole in the Village ROW. Lots of questions, very tall pole (120 feet) with a 36 inch base. She indicated they have PSB certificate of public good. Not sure what that gives them. Who decides on this? Trustees? PC? Don't know how or why they selected this site. I foresee serious issues. We should discuss this sometime this week.

Dennis

From: Jennille Smith [mailto:Jennille.Smith@mobilitie.com]
Sent: Monday, November 7, 2016 12:58 PM
To: Dennis Lutz <dlutz@ESSEX.ORG>
Subject: Mobilitie Proposal

Thank you for speaking with me today Dennis. When you've had a chance to review the attached drawings, I would like to meet you in person at a time/place that is convenient for you. We can talk about how best to proceed, determine if this location will work and what you need from me, and what the next step might be.

Hope your week is off to a good start. Thank you for filling me in on a bit about Essex earlier.

Jennille

Jennille Smith | Permitting Manager
802 825-9876
jennille.smith@mobilitie.com

mobilitie

Intelligent Infrastructure

3475 Piedmont RD, NE Suite 1000 | Atlanta, GA 30305
www.mobilitie.com

Dennis Lutz

From: Jennille Smith <Jennille.Smith@mobilitie.com>
Sent: Monday, November 7, 2016 3:18 PM
To: Dennis Lutz
Subject: RE: Mobilitie Proposal
Attachments: Public Service Board CPG.pdf

Thanks Dennis, I understand the hunting season. I just completed my hunter safety with my siblings! Good luck out there.

Here's the CPG. I look forward to hearing from you regarding a meeting. In the meantime, please let me know any and all questions I can answer.

Jennille

From: Dennis Lutz [mailto:dlutz@ESSEX.ORG]
Sent: Monday, November 07, 2016 2:50 PM
To: Jennille Smith <Jennille.Smith@mobilitie.com>
Subject: RE: Mobilitie Proposal

Jennille,

This Friday is Veterans Day and municipal offices are closed.

We need some time to review the information and to discuss the process that you will need to go through. This is not a standard request and therefore we need to do some background work. Can you also send me a copy of the Public Service Board Finding of Public Good? Some of their findings are prescriptive and some are more general. The Trustees will need to better understand their options, which may or may not be limited by the PSB.

Hunting Season starts in Vermont this coming Saturday for two weeks and it amounts in many cases to a general shutdown. Someone critical in the decision making process always seems to be unavailable during this time frame and that is why I cannot yet set a date for a meeting. I will try to get you back answers as soon as possible but it may be a few weeks.

Dennis

From: Jennille Smith [mailto:Jennille.Smith@mobilitie.com]
Sent: Monday, November 7, 2016 2:31 PM
To: Dennis Lutz <dlutz@ESSEX.ORG>
Subject: RE: Mobilitie Proposal

OK. I look forward to talking with you about alternative possible locations as needed and telling you a bit more about mobilitie and this project, and figuring out the process and next step. I am available at 10 or 11 on the 15th (next Tuesday), or the 18th in the afternoon, if either of these dates work for you guys. I could also make something work this Friday, or let me know what works for you and I will arrange my schedule.

Thank you!
Jennille

From: Dennis Lutz [<mailto:dlutz@ESSEX.ORG>]
Sent: Monday, November 07, 2016 2:18 PM
To: Jennille Smith <Jennille.Smith@mobilitie.com>
Subject: RE: Mobilitie Proposal

Jennille,

I received your material and will get back to you after we have had time to review it. I anticipate some issues given that this structure is proposed in the middle of a business zone and dwarfs everything around it by at least 80 to 100 feet.

Dennis

From: Jennille Smith [<mailto:Jennille.Smith@mobilitie.com>]
Sent: Monday, November 7, 2016 12:58 PM
To: Dennis Lutz <dlutz@ESSEX.ORG>
Subject: Mobilitie Proposal

Thank you for speaking with me today Dennis. When you've had a chance to review the attached drawings, I would like to meet you in person at a time/place that is convenient for you. We can talk about how best to proceed, determine if this location will work and what you need from me, and what the next step might be.

Hope your week is off to a good start. Thank you for filling me in on a bit about Essex earlier.

Jennille

Jennille Smith | Permitting Manager
802 825-9876
jennille.smith@mobilitie.com

mobilitie

intelligent infrastructure

3475 Piedmont RD, NE Suite 1000 | Atlanta, GA 30305

www.mobilitie.com

STATE OF VERMONT
PUBLIC SERVICE BOARD

CPG No. 1012

Petition of Relay Network Technology VT, LLC for a)
certificate of public good to offer facilities-based and)
resold local exchange telecommunications services in)
Vermont)

Order entered: 10/6/2016

ORDER GRANTING CERTIFICATE OF PUBLIC GOOD ("CPG")

In today's Order, the Vermont Public Service Board ("Board") grants a CPG to Relay Network Technology VT, LLC ("RNT" or the "Company") to offer facilities-based and resold local exchange telecommunications services in Vermont.

I. BACKGROUND

On July 11, 2016, RNT filed a telecommunications provider registration form with the Board seeking the issuance of a CPG to offer telecommunications services in Vermont.

On August 2, 2016, the Vermont Department of Public Service ("Department") filed comments recommending that the Board issue a CPG to the Company without any further hearings or investigation.

No other filings on this matter were received by the Board.

II. FINDINGS

Based upon the registration form and accompanying attachments, the Board makes the following findings.

1. RNT, a foreign limited liability company, has all the necessary authority to transact business in Vermont. Registration Form at Section A, p. 1 and Attachment C1.
2. RNT proposes to offer facilities-based and resold local exchange telecommunications services. Registration Form at Section A, p. 2.
3. RNT is not currently registered to provide telecommunications services in other states.

Registration Form at Section A, p. 3.

4. RNT has provided the documentation regarding management structure and financial information required by the Board's registration process. Registration Form at Attachment C2.

5. RNT has not filed for bankruptcy. Registration Form at Section A, p. 3.

6. RNT has never been the subject of an investigation by a state or federal authority.

Registration Form at Section A, p. 3.

III. DISCUSSION

Sections 102 and 231 of Title 30 require that a CPG be issued before a company can offer telecommunications services to the public in Vermont. The primary purpose of this requirement is to protect consumers against incompetent or dishonest businesses.¹ The Board has adopted a "registration and screening system" under which a prospective competitive local exchange carrier completes a registration form to obtain a Board determination (following notice and an opportunity to comment) that the company's entry into Vermont will promote the general good and that a CPG should be issued.² The Company has filed the required form, and the Board finds good cause to issue the requested CPG.

Pursuant to Board Rule 7.500, non-dominant telecommunications carriers, such as RNT, are no longer required to file tariffs with the Board. However, RNT should familiarize itself with the consumer protection provisions contained in Board Rule 7.600. In particular, if RNT intends to provide operator services, it should review the rules governing provision of these services in Board Rule 7.609(G).

Additionally, to address our concerns about the potential risks to consumers associated with payment in advance of receipt of services, it is the Board's practice to impose a requirement on new entrants into the Vermont market that provide debit prepaid calling card services to post bonds, payable to the Board, in an amount equal to their projected Vermont intrastate revenues

1. *Investigation into New England Telephone and Telegraph Company's tariff filing re: Open Network Architecture*, Docket 5713, Order of 2/4/99 at 59.

2. *Investigation into New England Telephone*, Docket 5713, Order of 2/4/99 at 62-63.

for the first 12 months of operation.³

We draw a distinction, however, between new entrants into the Vermont market that provide only debit card service and long-term participants that offer a multitude of services and have assets located within the state that simply seek to add debit card service to their choice of service offerings. For this latter group, we do not impose a bond requirement because the provider is already established in Vermont and offers several services on an ongoing basis. Because we do not know how much of its business will be devoted to prepaid calling card services, we conclude that the most sensible approach is to inform RNT that if it decides to include the provision of debit cards among its service offerings, it will be required to post a bond, payable to the Board, in an amount equal to the projected Vermont intrastate revenues from its prepaid calling card services for the first 12 months of operation. This approach will be fair to the Company, fair to the public, and consistent with the theory that underlies the Board's treatment of other telecommunications providers offering debit card services.

Finally, the Department has asked us to condition the CPG on the Company providing consumer protection information to customers and making assurances that its customer service representatives will comply with all relevant statutes and Board Order and Rules. We find these requests reasonable and will so condition the CPG.

IV. ORDER

IT IS HEREBY ORDERED, ADJUDGED, AND DECREED by the Public Service Board ("Board") of the State of Vermont that:

1. Based on the above findings and discussion, the provision of telecommunications services by Relay Network Technology VT, LLC ("RNT") will promote the general good of the State of Vermont, pursuant to the provisions of 30 V.S.A. § 231. A certificate of public good ("CPG") shall be issued to that effect, subject to the conditions contained in the CPG.

2. If RNT at any time in the future proposes to offer operator services, it shall comply with Board Rule 7.609(G).

3. See, CPG No. 145, Order of 7/13/94, and CPG No. 146, Order of 8/17/94.

3. If RNT at any time in the future proposes to offer prepaid calling card services, it shall post a bond, payable to the Board, in an amount equivalent to the projected Vermont intrastate revenues from its prepaid calling card service for the first twelve (12) months of operation.

4. RNT intends to conduct business in the State of Vermont under the name Relay Network Technology VT, LLC and has filed appropriate documents with the Vermont Secretary of State. If RNT intends to do business in the State of Vermont under a name other than the name in use on the date of this Order, it shall file a notice of the new trade name with the Clerk of the Board and the Vermont Department of Public Service at least fifteen (15) days prior to commencing business under the new trade name.⁴

5. The CPG being issued with this Order is conditioned on RNT providing consumer protection information to customers and ensuring that its customer service representatives comply with all relevant statutes and Board Order and Rules.

4. For a corporate name change, see 11A V.S.A. § 4.01 and 30 V.S.A. § 231. The Company may wish to contact the Clerk of the Board for assistance.

Dated at Montpelier, Vermont, this 16th day of October, 2016.


 _____)
 _____)

 _____)

 _____)

PUBLIC SERVICE
BOARD
OF VERMONT

OFFICE OF THE CLERK

FILED: October 6, 2016

ATTEST: Judith C. Whitney
Clerk of the Board

NOTICE TO READERS: This decision is subject to revision of technical errors. Readers are requested to notify the Clerk of the Board (by e-mail, telephone, or in writing) of any apparent errors, in order that any necessary corrections may be made. (E-mail address: psb.clerk@vermont.gov)

Appeal of this decision to the Supreme Court of Vermont must be filed with the Clerk of the Board within thirty days. Appeal will not stay the effect of this Order, absent further order by this Board or appropriate action by the Supreme Court of Vermont. Motions for reconsideration or stay, if any, must be filed with the Clerk of the Board within ten days of the date of this decision and Order.

STATE OF VERMONT
PUBLIC SERVICE BOARD

CPG No. 1012

Petition of Relay Network Technology VT, LLC for a)
certificate of public good to offer facilities-based and)
resold local exchange telecommunications services in)
Vermont)

Entered: 10/6/2016

CERTIFICATE OF PUBLIC GOOD ("CPG")
ISSUED PURSUANT TO 30 V.S.A. SECTION 231

IT IS HEREBY CERTIFIED that the Public Service Board ("Board") of the State of Vermont on this day found and adjudged that the issuance of a CPG to Relay Network Technology VT, LLC ("CPG Holder") for the provision of facilities-based and resold local exchange telecommunications services will promote the general good of the State of Vermont.

In doing business in the State of Vermont, the CPG Holder shall comply with the following conditions:

1. The CPG Holder is subject to the provisions of Title 30, Vermont Statutes Annotated, and the Board's Order in Docket No. 5808 to the extent consistent with federal law and to the same extent as other regulated utilities.
2. The CPG Holder shall file a copy of its standard service contract with the Board within sixty (60) days of the date of this CPG. The CPG Holder shall provide the Board with all current terms and conditions of service through the regular submission of applicable contract forms forty-five (45) days in advance of implementation.
3. The CPG Holder shall terminate all telecommunications traffic routed to its customers by any telecommunications carrier with which it interconnects.
4. The CPG Holder's books, accounts, statements, and other financial records shall, in accordance with Vermont law, be made available for examination by the Board or the Vermont Department of Public Service ("Department").

5. This CPG may not be transferred to any other entity without prior approval by the Board.

6. The CPG Holder is authorized to do business in Vermont under the name Relay Network Technology VT, LLC. If the CPG Holder conducts business in Vermont under any other name, it shall file a notice of the new trade name with the Board and the Department at least fifteen (15) days prior to commencing business under the new trade name.

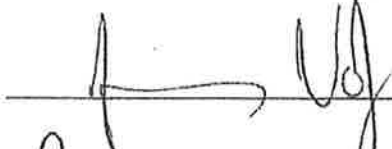
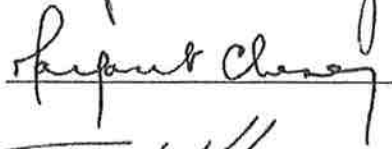
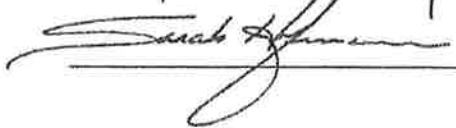
7. If the CPG Holder, at any time in the future, proposes to offer prepaid calling services, it shall post a bond, payable to the Board, in an amount equivalent to the projected Vermont intrastate revenues from its prepaid calling service for the first twelve (12) months of operation.

8. To the extent consistent with federal law, the CPG Holder shall be subject to any rules lawfully adopted or to be adopted by the Board, and its CPG hereby incorporates those rules by reference.

9. The CPG Holder's CPG shall be subject to revocation upon good cause, including a substantial or continuous failure to abide by its material terms.

10. The CPG Holder shall provide consumer protection information to its customers and shall ensure that its customer service representatives comply with all relevant statutes and Board Orders and Rules.

Dated at Montpelier, Vermont, this 6th day of October, 2016.


 _____)

 _____)

 _____)

PUBLIC SERVICE
BOARD
OF VERMONT

OFFICE OF THE CLERK

FILED: October 6, 2016

ATTEST: Judith C. Whitney
Clerk of the Board

NOTICE TO READERS: This decision is subject to revision of technical errors. Readers are requested to notify the Clerk of the Board (by e-mail, telephone, or in writing) of any apparent errors, in order that any necessary corrections may be made. (E-mail address: psb.clerk@vermont.gov)



Agenda Addition
New Business 6b.

2 Lincoln Street
Essex Junction, VT 05452
www.essexjunction.org

MEMORANDUM

TO: Patrick Scheidel, Village Manager
FROM: Chris Gaboriault (CG)
DATE: November 21, 2016
SUBJECT: Engine Replacement for Village Fire Department

Issue

Request sole source procurement with Pierce Manufacturing.

Discussion

The Essex Junction Fire Department is requesting an exception to Village purchasing policy, not to go with a competitive bid to replace our 1996 E-One Engine. Staying with Pierce Manufacturing will allow us to spec an engine that closely resembles our ladder truck, making training and transitioning from operating the engine to the ladder seamless. Pierce builds and delivers quality equipment that reduces maintenance scheduling and down time. Planning would begin in early 2017 with a goal to be contract ready for signing in early July 2017, the start of FY18.

Cost

Replacement cost is planned in Rolling Stock Fund

Recommendation

Approve working exclusively with Pierce Manufacturing to replace our 1996 E-One Engine.

CC: Lauren Morrisseau, Susan Hill, Cindy Delibac




Agenda Addition
Manager's Report
7d.

Patrick Scheidel
Municipal Manager
PatS@essexjunction.org

2 Lincoln Street
Essex Junction, VT 05452
www.essexjunction.org

Office: (802) 878-6944
Fax: (802) 878-6946

MEMORANDUM

TO: Village Trustees
FROM: Pat Scheidel, Municipal Manager 
DATE: November 22, 2016
SUBJECT: Autumn Pond winter contractor parking

Issue

The issue is providing an informational memo outlining the concurrence from the Essex Selectboard on the winter contractor parking at Autumn Pond.

Discussion

At the 11/21/16 Selectboard meeting, I presented Robin Pierce's memo of 11/8/16. During the Selectboard's discussion, there was concern expressed about the contractor parking caveats/criteria. It was agreed that the approval should be managed by the Essex Junction Community Development Director in terms of specific criteria: temporary parking during construction only; gated access gravel road; the return of the site to the original condition and the contractor "shall" return the parking lot to the Tree Farm once the 2017 outdoor season commences.

With the conclusion of those criteria, the Selectboard unanimously voted to approve the request for temporary parking on the overflow parking site with access, egress and ingress from Autumn Pond only.

Cost

None.

Recommendation

This memo is for information only.

11/22/16
11:58 am

Town of Essex / Village of EJ Accounts Payable
Check Warrant Report # 17020 Current Prior Next FY Invoices For Fund (GENERAL FUND)
For Check Acct 01(GENERAL FUND) All check #s 11/18/16 To 11/18/16 & Fund 2

Vendor	Invoice Date	Invoice Description	Account	Amount Paid	Check Number	Check Date
05290	10/31/16	ADVANCE AUTO PARTS ST RTV 0540256	210-43110.610 SUPPLIES	7.12	8023	11/18/16
05290	10/31/16	ADVANCE AUTO PARTS ST RTV 0540256	210-43110.626 GAS,GREASE AND OIL	11.98	8023	11/18/16
05290	10/31/16	ADVANCE AUTO PARTS ST DEF 0540257	210-43110.626 GAS,GREASE AND OIL	10.99	8023	11/18/16
05290	11/01/16	ADVANCE AUTO PARTS ST WIRE 0630361	210-43110.610 SUPPLIES	13.83	8023	11/18/16
05290	11/03/16	ADVANCE AUTO PARTS ST BRAKE PAD & ROTOR 0830435	210-43110.432 VEHICLE MAINTENANCE	-160.11	8023	11/18/16
05290	11/03/16	ADVANCE AUTO PARTS ST BRAKE PAD & ROTOR 0840451	210-43110.432 VEHICLE MAINTENANCE	303.51	8023	11/18/16
05290	11/03/16	ADVANCE AUTO PARTS ST OIL 0840483	210-43110.610 SUPPLIES	4.29	8023	11/18/16
05290	11/04/16	ADVANCE AUTO PARTS ST OIL 30W-ND 0940510	210-43110.626 GAS,GREASE AND OIL	8.58	8023	11/18/16
05290	11/01/16	ADVANCE AUTO PARTS ST OIL LUBE 30626208	210-43110.432 VEHICLE MAINTENANCE	132.90	8023	11/18/16
07305	11/01/16	AIRGAS USA LLC ST LEASE CYL 9940503830	210-43110.610 SUPPLIES	113.50	8024	11/18/16
V10360	11/09/16	ALERT-ALL CORP. VF FIRE PREVENTION ITEMS 216100859	210-42220.838 FIRE PREVENTION	720.00	8026	11/18/16
V9429	11/01/16	AQUARIUS LANDSCAPE INC. ST MEMORIAL PARK-WINTER 541612	210-43161.002 MEMORIAL PARK	90.20	8028	11/18/16
02420	11/11/16	AUTOZONE VF DEF/WIRE 3236802729	210-42220.432 VEHICLE MAINTENANCE	31.86	8030	11/18/16
02420	11/11/16	AUTOZONE VF FUSES/WIRE 3236802770	210-42220.432 VEHICLE MAINTENANCE	41.93	8030	11/18/16
V10301	11/01/16	BARRA, PLC DAVID A. CD OCT LEGAL SERVICES 11012016	210-41320.320 LEGAL SERVICES	528.00	8033	11/18/16
23635	11/01/16	BAY STATE ELEVATOR COMPAN BL BUILDING MAINTENANCE 431049	210-45551.434 MAINT. BUILDINGS/GROUNDS	278.94	8034	11/18/16
V1655	11/05/16	BLUE CROSS BLUE SHIELD OF VA Dec health ins 67270001190	210-41320.210 HEALTH INS & OTHER BENEFI	3425.11	8041	11/18/16
V1655	11/05/16	BLUE CROSS BLUE SHIELD OF VA Dec health ins 67270001190	210-43110.210 HEALTH INS & OTHER BENEFI	2911.33	8041	11/18/16
V1655	11/05/16	BLUE CROSS BLUE SHIELD OF VA Dec health ins 67270001190	210-43151.210 HEALTH INS & OTHER BENEFI	453.83	8041	11/18/16
V1655	11/05/16	BLUE CROSS BLUE SHIELD OF VA Dec health ins 67270001190	210-45551.210 HEALTH INS & OTHER BENEFI	4281.37	8041	11/18/16
V1655	11/05/16	BLUE CROSS BLUE SHIELD OF VA Dec health ins 67270001190	210-41970.210 HEALTH INS & OTHER BENEFI	1712.55	8041	11/18/16
V1655	11/05/16	BLUE CROSS BLUE SHIELD OF VA Dec health ins 67270001190	210-41335.210 HEALTH INS & OTHER BENEFI	856.27	8041	11/18/16
V1655	11/05/16	BLUE CROSS BLUE SHIELD OF VA Dec health ins 67270001190	210-15109.000 EXCHANGE - COBRA	2435.40	8041	11/18/16
10510	09/27/16	BLUE TARP FINANCIAL INC ST PAINT 715224	210-43110.610 SUPPLIES	10.18	8042	11/18/16
10510	09/27/16	BLUE TARP FINANCIAL INC LH LH SUPPLIES 715228	210-41940.610 SUPPLIES	36.86	8042	11/18/16

Vendor	Invoice Date	Invoice Description	Account	Amount Paid	Check Number	Check Date
10510	09/30/16	BLUE TARP FINANCIAL INC ST BROOM HANDLE 715243	210-43110.610 SUPPLIES	4.94	8042	11/18/16
10510	10/03/16	BLUE TARP FINANCIAL INC LH TEEN CENTER BULB 715253	210-41940.610 SUPPLIES	3.59	8042	11/18/16
10510	10/17/16	BLUE TARP FINANCIAL INC ST BLADES SUPPLIES 715315	210-43110.610 SUPPLIES	24.73	8042	11/18/16
10510	10/19/16	BLUE TARP FINANCIAL INC ST BATTERIES ENERGIZER 715336	210-43110.610 SUPPLIES	7.19	8042	11/18/16
24475	11/14/16	BOND AUTO-ESSEX JCT. INC VF LIGHT BULBS 14IV074522	210-42220.432 VEHICLE MAINTENANCE	17.92	8043	11/18/16
00530	10/26/16	BRODART CO BL BOOKS B4756294	210-45551.641 JUVEN COLLECTION-PRNT & E	76.56	8047	11/18/16
00530	10/26/16	BRODART CO BL BOOKS B4756294	210-45551.610 SUPPLIES	5.40	8047	11/18/16
00530	10/26/16	BRODART CO BL BOOKS B4756298	210-45551.641 JUVEN COLLECTION-PRNT & E	14.92	8047	11/18/16
00530	10/26/16	BRODART CO BL BOOKS B4756298	210-45551.610 SUPPLIES	0.90	8047	11/18/16
00530	10/26/16	BRODART CO BL BOOKS B4756436	210-45551.641 JUVEN COLLECTION-PRNT & E	3.59	8047	11/18/16
00530	10/26/16	BRODART CO BL BOOKS B4756436	210-45551.610 SUPPLIES	0.90	8047	11/18/16
00530	10/26/16	BRODART CO BL BOOKS B4756608	210-45551.641 JUVEN COLLECTION-PRNT & E	9.34	8047	11/18/16
00530	10/26/16	BRODART CO BL BOOKS B4756608	210-45551.610 SUPPLIES	0.90	8047	11/18/16
00530	10/27/16	BRODART CO BF BOOKS B4759954	210-49345.000 LIBRARY DONATION EXPENDIT	16.84	8047	11/18/16
00530	10/28/16	BRODART CO BL BOOKS B4761968	210-45551.640 ADULT COLLECTION-PRINT &	21.99	8047	11/18/16
00530	10/28/16	BRODART CO BL BOOKS B4761968	210-45551.610 SUPPLIES	0.90	8047	11/18/16
00530	10/31/16	BRODART CO BF BOOKS B4765334	210-49345.000 LIBRARY DONATION EXPENDIT	3.89	8047	11/18/16
00530	10/31/16	BRODART CO BL BOOKS B4765610	210-45551.640 ADULT COLLECTION-PRINT &	13.16	8047	11/18/16
00530	10/31/16	BRODART CO BL BOOKS B4765610	210-45551.610 SUPPLIES	0.90	8047	11/18/16
00530	10/31/16	BRODART CO BL BOOKS B4765664	210-45551.641 JUVEN COLLECTION-PRNT & E	9.34	8047	11/18/16
00530	10/31/16	BRODART CO BL BOOKS B4765664	210-45551.610 SUPPLIES	0.90	8047	11/18/16
00530	10/31/16	BRODART CO BL BOOKS B4765666	210-45551.641 JUVEN COLLECTION-PRNT & E	9.89	8047	11/18/16
00530	10/31/16	BRODART CO BL BOOKS B4765666	210-45551.610 SUPPLIES	0.90	8047	11/18/16
00530	11/02/16	BRODART CO BL BOOKS B4772297	210-45551.641 JUVEN COLLECTION-PRNT & E	9.89	8047	11/18/16
00530	11/02/16	BRODART CO BL BOOKS B4772297	210-45551.610 SUPPLIES	0.90	8047	11/18/16

11/22/16
11:58 am

Town of Essex / Village of EJ Accounts Payable
Check Warrant Report # 17020 Current Prior Next FY Invoices For Fund (GENERAL FUND)
For Check Acct 01(GENERAL FUND) All check #s 11/18/16 To 11/18/16 & Fund 2

Page 3 of 8
LMorrisseau

Vendor	Invoice Description	Invoice Date	Invoice Number	Account	Amount Paid	Check Number	Check Date
V9941	BUSINESSCARD SERVICES	11/07/16	AD GAN BFP NEWS YR SUBSCP 100716A	210-41320.610 SUPPLIES	295.53	8049	11/18/16
V9941	BUSINESSCARD SERVICES	11/07/16	BL MONTHLY NEWSPAPER BFP 100716B	210-45551.640 ADULT COLLECTION-PRINT &	25.00	8049	11/18/16
V9941	BUSINESSCARD SERVICES	11/07/16	AD TRUSTEE MEETING 10112016C	210-41320.560 TRUSTEES EXPENDITURES	18.08	8049	11/18/16
V9941	BUSINESSCARD SERVICES	11/07/16	BL BACKGROUND CHECK 101416D	210-45551.574 VOLUNTEER EXPENSES	30.00	8049	11/18/16
V9941	BUSINESSCARD SERVICES	11/07/16	BL BACKGROUND CHECK 101716E	210-45551.574 VOLUNTEER EXPENSES	30.00	8049	11/18/16
V9941	BUSINESSCARD SERVICES	11/07/16	AD MONTHLY RENEWAL-TIMELY 101716F	210-41320.530 COMMUNICATIONS	99.00	8049	11/18/16
V9941	BUSINESSCARD SERVICES	11/07/16	BL BACKGROUND CHECK 101816H	210-45551.640 ADULT COLLECTION-PRINT &	30.00	8049	11/18/16
V9941	BUSINESSCARD SERVICES	11/07/16	BL BACKGROUND CHECK 101816I	210-45551.574 VOLUNTEER EXPENSES	30.00	8049	11/18/16
V9941	BUSINESSCARD SERVICES	11/07/16	SC TABLE 102116K	210-41335.835 BLOCK PARTY EXPENSE	41.60	8049	11/18/16
V9941	BUSINESSCARD SERVICES	11/07/16	SC TABLE 102216J	210-41335.835 BLOCK PARTY EXPENSE	-41.60	8049	11/18/16
V9941	BUSINESSCARD SERVICES	11/07/16	SC TABLE 102216L	210-41335.835 BLOCK PARTY EXPENSE	38.88	8049	11/18/16
V9941	BUSINESSCARD SERVICES	11/07/16	BL SUPPLIES 102416M	210-45551.610 SUPPLIES	34.46	8049	11/18/16
V9941	BUSINESSCARD SERVICES	11/07/16	ST DRILL BIT SHARPENER 102816O	210-43110.610 SUPPLIES	105.93	8049	11/18/16
V9941	BUSINESSCARD SERVICES	11/01/16	VF FIRE PREVENTION MATERI 680356492	210-42220.838 FIRE PREVENTION	355.78	8049	11/18/16
V0455	CANON SOLUTIONS AMERICA	11/07/16	AD COPIES 10/7-11/6/2016 40200663420	210-41320.442 LEASED SERVICES	62.54	8052	11/18/16
V0455	CANON SOLUTIONS AMERICA	11/01/16	BL SUPPLIES 4020591182	210-45551.610 SUPPLIES	76.44	8052	11/18/16
23455	CHITTENDEN SOLID WASTE DI	10/28/16	ST WASTE OIL 211579	210-43110.626 GAS,GREASE AND OIL	88.80	8063	11/18/16
23525	CLARK'S TRUCK CENTER INC	10/28/16	VF 8E21 MAINTENANCE 58965	210-42220.432 VEHICLE MAINTENANCE	692.85	8064	11/18/16
04940	COMCAST	11/03/16	VF CABLE SERVICE 877350029008	210-42220.535 TELEPHONE SERVICES	13.59	8069	11/18/16
28790	COPY SHIP FAX PLUS	11/02/16	VF KNOX BOX SHIPPING 100303	210-42220.570 MAINTENANCE OTHER	30.95	8070	11/18/16
38280	CRYSTAL ROCK BOTTLED WATE	10/13/16	ST SUPPLIES SPRING WATER 101650122590	210-43110.610 SUPPLIES	24.10	8076	11/18/16
38280	CRYSTAL ROCK BOTTLED WATE	10/31/16	LH OCT BOTTLED WATER OCTOBER	210-41940.610 SUPPLIES	26.10	8076	11/18/16
43480	DESORCIE EMERGENCY PRODUC	11/07/16	VF FUEL CAP FOR 8E21 13256	210-42220.432 VEHICLE MAINTENANCE	161.81	8081	11/18/16
05020	ESSEX JCT VILLAGE OF	11/04/16	BL WATER & SEWER 1083	210-45551.410 WATER AND SEWER CHARGE	262.81	8090	11/18/16
05020	ESSEX JCT VILLAGE OF	11/04/16	ST WATER/SEWER 110416	210-43110.410 WATER AND SEWER CHARGE	144.79	8090	11/18/16

11/22/16
11:58 am

Town of Essex / Village of EJ Accounts Payable
Check Warrant Report # 17020 Current Prior Next FY Invoices For Fund (GENERAL FUND)
For Check Acct 01 (GENERAL FUND) All check #s 11/18/16 To 11/18/16 & Fund 2

Page 4 of 8
LMorrisseau

Vendor	Invoice Date	Invoice Description	Invoice Number	Account	Amount Paid	Check Number	Check Date
05020	11/04/16	ESSEX JCT VILLAGE OF	ST WATER/SEWER	210-43110.410	482.82	8090	11/18/16
			110416	WATER AND SEWER CHARGE			
05020	11/04/16	ESSEX JCT VILLAGE OF	ST WATER/SEWER	210-43161.002	104.64	8090	11/18/16
			110416	MEMORIAL PARK			
05020	11/04/16	ESSEX JCT VILLAGE OF	ST WATER/SEWER	210-43161.001	22.66	8090	11/18/16
			110416	VILLAGE GARDEN SPOTS			
05020	11/04/16	ESSEX JCT VILLAGE OF	ST WATER/SEWER	210-43161.001	22.66	8090	11/18/16
			110416	VILLAGE GARDEN SPOTS			
05020	11/04/16	ESSEX JCT VILLAGE OF	ST WATER/SEWER	210-43161.001	22.66	8090	11/18/16
			110416	VILLAGE GARDEN SPOTS			
05020	11/04/16	ESSEX JCT VILLAGE OF	ST WATER/SEWER	210-43110.410	118.64	8090	11/18/16
			110416	WATER AND SEWER CHARGE			
05020	11/04/16	ESSEX JCT VILLAGE OF	LH WATER & SPRINKLER	210-41940.410	441.87	8090	11/18/16
			3/30-9/30/16	WATER AND SEWER CHARGE			
05020	11/04/16	ESSEX JCT VILLAGE OF	VF WATER & SEWER	210-42220.410	205.39	8090	11/18/16
			5571	WATER AND SEWER CHARGE			
V0795	11/17/16	ESSEX TOWN OF	AD 1/12 mgr contract Nov	210-41320.150	5381.25	8091	11/18/16
			111716D	MANAGER CONTRACT			
16000	11/04/16	FISHER AUTO PARTS	ST FILTERS	210-43110.432	181.69	8101	11/18/16
			293-168483	VEHICLE MAINTENANCE			
16000	11/04/16	FISHER AUTO PARTS	ST FILTERS-TRUCK	210-43110.432	181.69	8101	11/18/16
			293-168485	VEHICLE MAINTENANCE			
16000	11/04/16	FISHER AUTO PARTS	ST TRUCK RVANTIFREEZE	210-43110.432	29.70	8101	11/18/16
			293-168575	VEHICLE MAINTENANCE			
16000	11/04/16	FISHER AUTO PARTS	ST FILTER CREDIT	210-43110.432	-207.87	8101	11/18/16
			293-168576	VEHICLE MAINTENANCE			
V10226	11/03/16	G & K SERVICES	ST SHOP TOWELS	210-43110.610	68.43	8105	11/18/16
			1295495537	SUPPLIES			
34895	11/01/16	GAUTHIER TRUCKING, INC.	ST RUBBISH REM-JACKSON ST	210-43110.565	85.52	8107	11/18/16
			1189673	RUBBISH REMOVAL			
34895	11/01/16	GAUTHIER TRUCKING, INC.	ST RUBBISH REM-RAILROAD A	210-43110.565	415.77	8107	11/18/16
			1189675	RUBBISH REMOVAL			
34895	11/01/16	GAUTHIER TRUCKING, INC.	ST RUBBISH REMOVAL-BEECH	210-43110.565	55.27	8107	11/18/16
			1189808	RUBBISH REMOVAL			
21055	10/03/16	GREEN MOUNTAIN MESSENGER,	BL DELIVERY	210-45551.536	107.50	8113	11/18/16
			54638	POSTAGE/DELIVERY			
21055	10/03/16	GREEN MOUNTAIN MESSENGER,	BL DELIVERY	210-49340.006	12.50	8113	11/18/16
			54638	LIBRARY GRANT EXPENDITURE			
V11462	10/28/16	INFORMATION TODAY INC.	BL BOOKS	210-45551.640	404.53	8132	11/18/16
			1615758-B1	ADULT COLLECTION-PRINT &			
33495	10/28/16	INGRAM LIBRARY SERVICES I	BL BOOKS	210-45551.640	19.94	8133	11/18/16
			95454868	ADULT COLLECTION-PRINT &			
V10461	10/31/16	KELLEY BROS OF NEW ENGLAN	VF REPLACE TWO EXT DOORS	210-42220.434	3789.38	8139	11/18/16
			16-103723	MAINT. BUILDINGS/GROUNDS			
03525	11/10/16	KITTELL BRANAGAN & SARGEN	VA FY16 AUDIT	210-41320.335	385.00	8142	11/18/16
			62457	AUDIT			
V12618	11/04/16	KNOX COMPANY	VF KNOX BOX REPAIR	210-42220.570	75.00	8146	11/18/16
			00854243	MAINTENANCE OTHER			
33195	10/26/16	LIMOGE & SONS GARAGE DOOR	ST LUBRICANT	210-43110.434	93.95	8152	11/18/16
			53960TE	MAINT. BUILDINGS/GROUNDS			

11/22/16
11:58 am

Town of Essex / Village of EJ Accounts Payable
Check Warrant Report # 17020 Current Prior Next FY Invoices For Fund (GENERAL FUND)
For Check Acct 01(GENERAL FUND) All check #s 11/18/16 To 11/18/16 & Fund 2

Page 5 of 8
LMorrisseau

Vendor	Invoice Date	Invoice Description	Account	Amount Paid	Check Number	Check Date
08645	10/03/16	LOWES BUSINESS ACCT/SYNCB ST FLAG POLE SUPPLIES 02288	210-43161.002 MEMORIAL PARK	17.06	8154	11/18/16
08645	10/31/16	LOWES BUSINESS ACCT/SYNCB ST PLYWOOD 02942	210-43110.610 SUPPLIES	70.36	8154	11/18/16
08645	10/25/16	LOWES BUSINESS ACCT/SYNCB ST SUPPLIES SOAP EXT CORD 23044	210-43110.610 SUPPLIES	90.62	8154	11/18/16
21095	10/26/16	MAIN ST FLOOR COVERING VF FLOORING OFFICE AREA 11223	210-42220.434 MAINT. BUILDINGS/GROUNDS	2043.55	8159	11/18/16
V10615	11/02/16	NATIONAL PEN COMPANY,LLC VF PENS FIRE PREVENTION 108984288	210-42220.838 FIRE PREVENTION	566.62	8168	11/18/16
24100	11/03/16	PERMA-LINE CORP.OF NEW EN PK POSTS 159278	210-43110.617 SIGNS AND POSTS	477.00	8178	11/18/16
25140	10/28/16	PIKE INDUSTRIES INC ST ASPHALT 898495	210-43120.610 PAVEMENT MAINTENANCE	352.78	8180	11/18/16
25140	11/04/16	PIKE INDUSTRIES INC PK PAVEMENT REPAIRS 899617	210-43120.610 PAVEMENT MAINTENANCE	939.56	8180	11/18/16
V9587	10/26/16	RANGER ASPHALT & CONCRETE ST TOPSOIL 2916	210-43110.616 GRAVEL, TOPSOIL	175.00	8187	11/18/16
37965	11/01/16	S D IRELAND CONCRETE ST CURB ELM & JACKSON 59597	210-43120.570 SIDEWALK AND CURB MAINTEN	321.00	8199	11/18/16
03180	10/21/16	SAFETY SYSTEMS OF VT LLC ST FIRE ALARM INSPECTION 16419	210-43110.434 MAINT. BUILDINGS/GROUNDS	429.41	8200	11/18/16
00275	11/07/16	SB SIGNS INC AD SIGN FOR WATER BILLS 9292	210-41320.610 SUPPLIES	35.00	8202	11/18/16
29835	10/29/16	SHERWIN-WILLIAMS VF PAINT 9154-5	210-42220.434 MAINT. BUILDINGS/GROUNDS	26.98	8204	11/18/16
23855	11/07/16	SOUTHWORTH-MILTON, INC. VF GENERATOR SERVICE 195152	210-42220.432 VEHICLE MAINTENANCE	569.56	8212	11/18/16
40840	11/01/16	SOVERNET COMMUNICATIONS VA NOV PHONE/INTERNET 3692549	210-41320.535 TELEPHONE SERVICES	140.36	8213	11/18/16
40840	11/01/16	SOVERNET COMMUNICATIONS VA NOV PHONE/INTERNET 3692549	210-41940.535 TELEPHONE SERVICES	39.05	8213	11/18/16
40840	11/01/16	SOVERNET COMMUNICATIONS VA NOV PHONE/INTERNET 3692549	210-41970.535 TELEPHONE SERVICES	31.45	8213	11/18/16
40840	11/01/16	SOVERNET COMMUNICATIONS VA NOV PHONE/INTERNET 3692549	210-41320.530 COMMUNICATIONS	34.94	8213	11/18/16
40840	11/01/16	SOVERNET COMMUNICATIONS BL PHONE & TECH ACCESS 3692569	210-45551.530 TECHNOLOGY ACCESS	39.95	8213	11/18/16
22155	11/03/16	SUPERIOR MANAGEMENT SVCS VF WALL REPAIR 111416D	210-42220.434 MAINT. BUILDINGS/GROUNDS	227.50	8217	11/18/16
14800	11/01/16	TECH GROUP INC AD/CD/FD NOVEMBER SERVICE 72153	210-41320.340 COMPUTER EXPENSES	493.12	8218	11/18/16
14800	11/01/16	TECH GROUP INC AD/CD/FD NOVEMBER SERVICE 72153	210-42220.570 MAINTENANCE OTHER	21.00	8218	11/18/16
14800	11/01/16	TECH GROUP INC AD/CD/FD NOVEMBER SERVICE 72153	210-41970.340 COMPUTER EXPENSES	242.88	8218	11/18/16
21540	11/02/16	THE FRIENDS OF DOROTHY CA BL SUPPLIES 110116DCF	210-45551.610 SUPPLIES	9.00	8219	11/18/16
21000	11/16/16	UNIFIRST CORPORATION LH MAT SERVICE 0361778674	210-41940.434 MAINT. BUILDINGS/GROUNDS	56.60	8226	11/18/16

11/22/16
11:58 am

Town of Essex / Village of EJ Accounts Payable
Check Warrant Report # 17020 Current Prior Next FY Invoices For Fund (GENERAL FUND)
For Check Acct 01(GENERAL FUND) All check #s 11/18/16 To 11/18/16 & Fund 2

Page 6 of 8
LMorrisseau

Vendor	Invoice Date	Invoice Description	Account	Amount Paid	Check Number	Check Date
11935	10/31/16	VIKING-CIVES USA ST LIGHT BAR 4470000	210-43110.432 VEHICLE MAINTENANCE	256.91	8227	11/18/16
11935	10/31/16	VIKING-CIVES USA PK TARP 4470007	210-43110.432 VEHICLE MAINTENANCE	98.75	8227	11/18/16
11935	10/31/16	VIKING-CIVES USA PK LIGHTS FOR TRUCKS 4470013	210-43110.432 VEHICLE MAINTENANCE	376.60	8227	11/18/16
V9941	10/18/16	BUSINESSCARD SERVICES SC CUTLERY-CRAFT FEST 3W382/00	225-45122.612 FUND RAISER EXPENSES	183.35	8049	11/18/16
08645	10/19/16	LOWES BUSINESS ACCT/SYNCB SC PAINT & SUPPLIES CONF 10762	225-45122.430 REPAIRS & MAINTENANCE	214.19	8154	11/18/16
08645	10/19/16	LOWES BUSINESS ACCT/SYNCB SC PRIMER & SANDPAPER 23612	225-45122.430 REPAIRS & MAINTENANCE	12.78	8154	11/18/16
V10301	11/01/16	BARRA, PLC DAVID A. CD OCT LEGAL SERVICES 11012016	230-46801.008 CRESCENT CONNECTOR	198.00	8033	11/18/16
27295	10/28/16	MAPLEHURST FLORIST CR RIBBON FOR RIBBON CUT 41976	230-46801.006 MULTI-USE PATH NORTH	15.00	8161	11/18/16
V1655	11/05/16	BLUE CROSS BLUE SHIELD OF VA Dec health ins 67270001190	254-43200.210 HEALTH INS & OTHER BENEFIT	1284.41	8041	11/18/16
10510	10/14/16	BLUE TARP FINANCIAL INC VW HYDRANT PAINT SUPPLIES 715310	254-43200.614 DISTRIBUTION MATERIALS	16.04	8042	11/18/16
23435	10/31/16	CHAMPLAIN WATER DISTRICT VW OCT WATER USAGE 10312016	254-43200.412 STATE WATER TAX	868.11	8059	11/18/16
23435	10/31/16	CHAMPLAIN WATER DISTRICT VW OCT WATER USAGE 10312016	254-43210.412 STATE WATER TAX - GF	4575.40	8059	11/18/16
23435	10/31/16	CHAMPLAIN WATER DISTRICT VW OCT WATER USAGE 10312016	254-43200.411 CWD WATER PURCHASE	35384.23	8059	11/18/16
23435	10/31/16	CHAMPLAIN WATER DISTRICT VW OCT WATER USAGE 10312016	254-43210.411 CWD WATER PURC - GF	186493.30	8059	11/18/16
31275	11/11/16	DON WESTON EXCAVATING INC VW BRIAR LN/ROSEWOOD WATE PAYAP12	254-43332.006 BRIAR/ROSEWOOD WTR LN	71085.27	8082	11/18/16
05020	11/04/16	ESSEX JCT VILLAGE OF ST WATER/SEWER 110416	254-43200.410 WATER AND SEWER CHARGE	24.23	8090	11/18/16
18000	11/14/16	FERGUSON WATERWORKS #576 VW Valve box top,lid,bot 0728336	254-43200.614 DISTRIBUTION MATERIALS	338.64	8095	11/18/16
03525	11/10/16	KITTELL BRANAGAN & SARGEN VA FY16 AUDIT 62457	254-43200.335 AUDIT	230.00	8142	11/18/16
22775	11/10/16	MAGEE BETSY VW refund water credit 111016D	254-15101.000 EXCHANGE	238.95	8158	11/18/16
38760	11/02/16	TI-SALES INC PK 2" WATER METERS 0071718	254-43330.002 METER REPLACEMENT PROGRAM	59.53	8221	11/18/16
38760	11/03/16	TI-SALES INC PK 1.5" WATER METERS 0071828	254-43330.002 METER REPLACEMENT PROGRAM	64.97	8221	11/18/16
38680	10/25/16	VT RURAL WATER ASSOC VW VRWA MEMBERSHIP DUES VRWA	254-43200.500 TRAINING, CONFERENCES, DU	475.00	8237	11/18/16
V1655	11/05/16	BLUE CROSS BLUE SHIELD OF VA Dec health ins 67270001190	255-43200.210 HEALTH INS & OTHER BENEFIT	4426.94	8041	11/18/16
10510	10/25/16	BLUE TARP FINANCIAL INC WW HARDWARE KNIFE 715358	255-43200.570 MAINTENANCE OTHER	47.04	8042	11/18/16
33545	11/09/16	BURLINGTON TOOL REPAIR IN WW CHIPPING HAMMEL 38117-56191	255-43200.570 MAINTENANCE OTHER	30.00	8048	11/18/16

11/22/16
11:58 am

Town of Essex / Village of EJ Accounts Payable
Check Warrant Report # 17020 Current Prior Next FY Invoices For Fund (GENERAL FUND)
For Check Acct 01(GENERAL FUND) All check #s 11/18/16 To 11/18/16 & Fund 2

Page 7 of 8
LMorrisseau

Vendor	Invoice Date	Invoice Description	Invoice Number	Account	Amount Paid	Check Number	Check Date
V9941	11/07/16	BUSINESSCARD SERVICES	WW NEWSPAPERS OCTOBER 102816N	255-43200.610 SUPPLIES	22.00	8049	11/18/16
11375	11/01/16	CASELLA WASTE SYSTEMS INC	WW OCTOBER 31 2590151	255-43200.565 GRIT DISPOSAL	918.66	8054	11/18/16
V9533	11/04/16	CCP INDUSTRIES	WW RAGS 1792488	255-43200.570 MAINTENANCE OTHER	219.73	8055	11/18/16
22270	11/16/16	CRYSTAL CARPET & UPHOLSTE	WW CARPET CLEANING ADMIN 2524	255-43200.570 MAINTENANCE OTHER	364.77	8075	11/18/16
V10734	10/21/16	ENCORE ESSEX JUNCTION SOL	WW OCTOBER 1610-WWTF	255-43200.622 ELECTRICAL SERVICE	2969.11	8086	11/18/16
06870	10/31/16	ENDYNE INC	WW WEEKLY TKN 216457	255-43200.577 CONTRACT LABORATORY SERVI	25.00	8087	11/18/16
05020	11/04/16	ESSEX JCT VILLAGE OF	WW WATEER/SEWER 160411	255-43200.410 WATER AND SEWER CHARGE	79.25	8090	11/18/16
05020	11/04/16	ESSEX JCT VILLAGE OF	WW WATEER/SEWER 160411	255-43200.410 WATER AND SEWER CHARGE	130.76	8090	11/18/16
05020	11/04/16	ESSEX JCT VILLAGE OF	WW WATEER/SEWER 160411	255-43200.410 WATER AND SEWER CHARGE	114.49	8090	11/18/16
05020	11/04/16	ESSEX JCT VILLAGE OF	WW WATEER/SEWER 160411	255-43200.410 WATER AND SEWER CHARGE	70.16	8090	11/18/16
05020	11/04/16	ESSEX JCT VILLAGE OF	WW WATEER/SEWER 160411	255-43200.410 WATER AND SEWER CHARGE	70.16	8090	11/18/16
05020	11/04/16	ESSEX JCT VILLAGE OF	WW WATEER/SEWER 160411	255-43200.410 WATER AND SEWER CHARGE	100.46	8090	11/18/16
38955	10/31/16	F W WEBB COMPANY	WW HOSE ADAPT STOCK 52710681	255-43200.570 MAINTENANCE OTHER	38.06	8092	11/18/16
38955	11/09/16	F W WEBB COMPANY	WW GAS COMPRESSOR 52840232	255-43200.570 MAINTENANCE OTHER	70.65	8092	11/18/16
V9769	10/31/16	KEMIRA WATER SOLUTIONS	WW BULK SOD. ALUMINATE 9017521345	255-43200.619 CHEMICALS	7498.67	8141	11/18/16
03525	11/10/16	KITTELL BRANAGAN & SARGEN	VA FY16 AUDIT 62457	255-43200.335 AUDIT	270.00	8142	11/18/16
V1661	10/24/16	NORTH CENTRAL LABORATORIE	WW LAB REAGENTS 380613	255-43200.618 SUPPLIES - LABORATORY	1844.88	8173	11/18/16
V10329	11/01/16	NORTH WILLISTON CATTLE CO	WW 753500 GALLONS APPLIED V10329	255-43200.568 SLUDGE MANAGEMENT	60300.00	8174	11/18/16
42970	11/02/16	ROUSE TIRE SALES INC	WW PLOW TRK TIRES 30075419	255-43200.432 VEHICLE MAINTENANCE	655.08	8196	11/18/16
V2093	11/01/16	SLACK CHEMICAL COMPANY IN	WW 3500 GAL NAOH 335567	255-43200.619 CHEMICALS	6901.59	8207	11/18/16
40840	11/01/16	SOVERNET COMMUNICATIONS	WW PHONE INET OCT 2016 3692548	255-43200.535 TELEPHONE SERVICES	175.16	8213	11/18/16
05290	11/07/16	ADVANCE AUTO PARTS	SA SUPPLIES ANTIFREEZE 1276115	256-43200.610 SUPPLIES	24.00	8023	11/18/16
V1655	11/05/16	BLUE CROSS BLUE SHIELD OF	VA Dec health ins 67270001190	256-43200.210 HEALTH INS & OTHER BENEFIT	2055.06	8041	11/18/16
05020	11/04/16	ESSEX JCT VILLAGE OF	WW WATEER/SEWER 160411	256-43200.410 WATER AND SEWER CHARGE	70.16	8090	11/18/16
03525	11/10/16	KITTELL BRANAGAN & SARGEN	VA FY16 AUDIT 62457	256-43200.335 AUDIT	115.00	8142	11/18/16

11/22/16
11:58 am

Town of Essex / Village of EJ Accounts Payable
Check Warrant Report # 17020 Current Prior Next FY Invoices For Fund (GENERAL FUND)
For Check Acct 01(GENERAL FUND) All check #s 11/18/16 To 11/18/16 & Fund 2

Page 8 of 8
LMorrisseau

Vendor		Invoice Date	Invoice Description Invoice Number	Account	Amount Paid	Check Number	Check Date
38760	TI-SALES INC	11/02/16	PK 2" WATER METERS 0071718	256-43330.002 METER REPLACEMENT PROGRAM	119.05	8221	11/18/16
38760	TI-SALES INC	11/03/16	PK 1.5" WATER METERS 0071828	256-43330.002 METER REPLACEMENT PROGRAM	129.95	8221	11/18/16
Report Total					433498.68		

...

LDC Amendments Summary

Chapter 1:

- a. Added language clarifying the Land Development Code “represents the minimum required standards for development and land use in Essex Junction,” and that “It is the intent of the Village to meet or exceed these standards.”
- b. Removed incorrect reference to Chapter 13. Sound regulations are covered in Chapter 7. Following references to Chapter 12 or 13 as including sound regulations have been removed and updated to Section 718.B.
- c. Added language identifying the timeframe for readopting the Land Development Code

Chapter 2:

- a. Added new definitions for the following terms; Agriculture PUD, Average Grade, Commercial PUD, Dark Sky Compliant, Dead-end Street, Double Frontage Lot, Electronic Message Board, Freight Rail Distribution Center, Massage Therapy, New Unit, Public Street, Vehicle Sales, and Zero Lot Line.
- b. Revised language of the following definitions; Infiltration, Planned Unit Development.
- c. Removed definition of Planned Residential Development. Planned Residential Developments have been repealed from state statute, and therefore any reference in following chapters has been removed.

Chapter 3:

- a. As the Capital Review Committee is now responsible for preparing and reviewing the Capital Budget, this duty has been removed from Section 302: Planning Commission.
- b. All references to the Planning Department have been updated to Community Development Department.

Chapter 4:

- a. Clarified that “any building permit may be subject to additional state or federal permits,” in addition to approval from the Village.
- b. Clarified that demolition or alteration of a structure requires approval.
- c. Updated the term “noise” to “sound”. All references in following chapters have been updated.

Chapter 5:

- a. Updated reference to Vermont’s Open Meeting Law (1 V.S.A. §§ 310-314).
- b. Removed district-specific PUD subsections of Section 512. These references have been re-located in the appropriate specific district sections of Chapter 6 in order to make the Land Development Code more user-friendly.
- c. Clarified approval procedures for Master Plans.
- d. Added language detailing examples of “good urban design techniques.”
- e. Added language clarifying that a change of use requires a new Certificate of Occupancy.

- f. Added general review standards, specific review standards, and waivers for Planned Unit Developments to section 511.B. Districts allowed Planned Unit Developments in Chapter 6 now reference Section 511. **Added 511.B.3(e) Waiver of building height in Light Industrial District only.**
- g. Removal of Section 511:C.6.f Concurrent Review.
- h. Updated language regarding stormwater permits in Section 513.G.

Chapter 6:

- a. Removed language for general review standards, specific review standards, and waivers for Planned Unit Developments. As this was repeated verbatim in all districts, the review standards have been moved to section 511.B.
- b. Removed waiver of building height in the Village Center District Section 604.
- c. **Removed waiver of building height in Highway-Arterial District Section 605.**
- d. **Removed waiver of building height in Multi-Family Mixed Use-1 Section 606.**
- e. **Removed waiver of building height in Multi-Family Mixed Use-2 Section 607.**
- f. Removed waiver of building height in the Transit Oriented District.
- g. **Changed Light Industrial District Section 611.F to read: The height of any structure shall not exceed four stories or fifty-eight (58) feet, whichever is less. The Commission may waive this requirement to no more than six stories or seventy-two (72) feet upon clear determination that the waiver is necessary for proper functioning of any permitted industrial use and that it will not adversely impact any surrounding properties.**
- h. **Changed building height to not exceed four (4) stories or fifty –eight (58) feet, whichever is less in Mixed Commercial Section 615.**
- i. Added district-specific PUD language to the appropriate districts.

Section 620 Use Chart:

- a. Added “C” for Construction Services Establishment in the TOD District.
- b. Added new use Freight Rail Distribution Center, and added “X” for the LI District.
- c. Added new use Massage Therapy.
- d. Added “X” for Home Office in the VC District.
- e. Removed “X” for Retail Sales w/ Drive-Through in the VC District.
- f. Added “X” for Transit Park and Ride in the PE District.

Chapter 7:

- a. Added off-street parking requirements for parallel parking.
- b. Added language regulating the parking of recreational vehicles on public property.
- c. Added language to the general lighting standards with the intention of discouraging light pollution.
- d. Village Engineer updated technical lighting standards to LED lamps as opposed to previously required metal halide or mercury vapor lamps.
- e. Added language stating that “new and redevelopment projects shall install utilities underground.”
- f. Added Section 714.Q which contains exemptions for municipal departments.
- g. Adjusted landscape budgetary requirements based on the size of the project.
- h. Added Landscape Plan to Section 719, consisting of a preliminary site plan and a final landscaping plan.

- i. Added graphics with examples of screening and perimeter landscaping for parking areas.
- j. Added a list of publications to be used as resources for selecting plant material.
- k. Removed Section 722: Conversion of Public Schools.

Chapter 8:

- a. Removed Section 803: Termination of Non-Conforming or Non-Complying Status due to removal of language previously allowing a non-complying structure to be declared conforming with a conditional use approval.

Chapter 9:

- a. Added street design language to “encourage improved connectivity in the Village Center District and strike an appropriate balance between all modes of transit.”
- b. Revised utility line language stating “above-ground utility equipment shall not be located within the visibility triangles and shall be hidden from view in the public Right-of-way.”

Chapter 14:

- a. Removed language allowing a homeowners association to be considered as one user for private water lines.

Other Revisions:

- a. Added new guidance documents:
 - 1. Community Development Department Public Participation Guide
 - 2. Flowchart depicting The Development Review Process in the Village
- b. Added a more detailed map of the Village Center District
- b. Public Works Detail Drawings updated.
- c. Appendix A: Public Works Specifications updated.

Planning Department will be changed to Community Development Department; Village Plan changed to Comprehensive Plan; Planned Residential Development changed to Planned Unit Development; Sight Triangle to Visibility Triangle and Noise to Sound throughout the Code. Clerical changes and formatting will be corrected throughout the Code.

CHAPTER 1: PURPOSE, APPLICATION AND SEVERABILITY

SECTION 102: PURPOSE.

This Code represents the minimum required standards for development and land use in Essex Junction. It is the intent of the Village to meet or exceed these standards.

SECTION 103: AUTHORITY.

~~G. — Chapter 13: Noise Regulations — 24 V.S.A., Chapter 61 and Village Charter, Article I.~~

SECTION 104: SEVERABILITY.

~~The Land Development Code shall be readopted, with revisions as necessary, within five (5) eight (8) years after the last published update.~~

CHAPTER 2: DEFINITIONS AND RULES OF CONSTRUCTION

SECTION 201: DEFINITIONS. (General Definitions, Flood Plain Management Determinations, Sewer Regulation Definitions, Sign Regulations Definitions). Words as defined herein shall be used to interpret provisions of this Code. Interpretation of any words not herein defined shall be made in accordance with the standards specified below.

- B. Official Plan. The Village **Comprehensive** Plan as adopted by the Village Trustees and filed with the Village Clerk is the Official Plan of the Village of Essex Junction. It is the clear intent of this Code to implement the provisions of the **Comprehensive** Plan and the **Comprehensive** Plan shall be consulted to determine the intent of any provisions of this Code. Ordinances, bylaws, or regulations enacted which are in clear conflict with the **Comprehensive** Plan shall not be adopted until and unless the **Comprehensive** Plan is amended.
- C. General Definitions:
3. *"Accessory Apartment"* shall mean a small apartment created within an existing single family dwelling unit, **as defined by state statute.**
 5. *"Accessory Use"* shall mean any use or structure which clearly meets **all** the following **conditions:**
 - (a) It is clearly incidental and customarily found in association with the principal use; **and**
 - (b) It is subordinate in area, purpose and extent to the primary structure and use of the lot; **and**
 - (c) It is not identified in the zoning district as a permitted or conditional principal use.
 12. *"Agriculture PUD"* shall mean a Planned Unit Development (PUD) located in the Planned Agriculture District.
 19. *"Average Grade"* shall mean the building height shall be no higher than that

permitted in the district above preconstruction grade unless approved by the Planning Commission.

38. "Cemetery" shall mean a parcel of land use for the burial of the dead for cemetery purposes, including ~~columbariums~~ columbaria, crematories, mausoleums, and mortuaries.
44. "Commercial PUD" shall mean a Planned Unit Development (PUD) located in the Village Center, Highway Arterial, or Transit Oriented Development Districts.
50. "Comprehensive Plan", "Village Plan" or "Plan" shall mean the Village Comprehensive Plan for the Village of Essex Junction as adopted pursuant to Title 24, Chapter 119, Section 4385 of Vermont Statutes and filed with the Village Clerk.
58. "Dark Sky Compliant" shall mean hooded or shielded outdoor lighting fixtures that allows no light emission above a horizontal plane.
61. "Dead-end Street" shall mean a street open at one end only without provision for a turnaround and which may be extended into adjoining property.
69. "Double Frontage Lot" shall mean a lot with street frontage on two boundaries.
93. "Freight Rail Distribution Center" shall mean a facility or a group of facilities that perform consolidation, warehousing, packaging, decomposition and other functions linked with handling freight. Their main purpose is to provide value-added services to freight. They can also perform light manufacturing activities such as assembly and labeling. They can accommodate warehouses designed to store goods for longer periods of time.
127. "Massage Therapy" shall mean the scientific manipulation of the soft tissues of the body for the purpose of normalizing those tissues and consists of manual techniques that include applying fixed or moveable pressure, holding, and/or causing movement of, or to, the body to enhance health and healing when undertaken by a Massage Therapist that is certified or registered through the National Certification Board for Therapeutic Massage and Bodywork's certification program, or an approved alternative certification body, for example AMA-VT.
133. "New Unit" shall mean a dwelling unit approved and constructed pursuant to the Land Development Code without credit or consideration for whether it replaces any pre-existing dwelling unit. With respect to any section of this code, there shall be no credit or reduction of any kind for an existing dwelling unit that is replaced by a new unit.
148. "Planned Unit Development" or "PUD" shall mean one or more parcels of land to be developed as a single entity, the plan for which may propose any authorized combination of density or intensity transfers or increases, as well as the mixing of land uses in non-residential Districts. This plan, as authorized, may deviate from bylaw requirements that are otherwise applicable to the area in which it is located with respect to the area, density or dimensional requirements or allowable number of structures and uses per lot as established in any one or more districts created under the provisions of these regulations. The specific requirements of a PUD and the area, density and dimensional provisions that may be modified are further defined in each district in which PUDs are allowed. ~~an area of land to be developed as a single mixed-use entity for a number of dwelling units and commercial and industrial unit uses, if any; the plan for which does not~~

~~correspond in lot size, bulk, or type of dwelling, commercial or industrial use, density, lot coverage, and required opens space under these regulations except as a planned unit development. The number of dwelling units approved shall not exceed the number of dwelling units permitted under Village subdivision regulations unless a waiver is granted under Section 723.~~

- 158. *"Public Meeting"* shall mean any duly noticed meeting at which a quorum (a majority) is present to conduct business.
- 159. *"Public Street"* shall mean a street owned by the municipality.
- 201. *"Temporary Structure"* shall mean any structure in place six months or less in any 12 month period.
- 209. *"Vehicle Sales"* shall mean the sale of cars, sport utility vehicles and light trucks.
- 218. *"Zero Lot Line"* shall mean a piece of real estate in which the structure comes up to, or very near to the edge of the property line.

G. Sign Regulation Definitions. For the purposes of Section 714 of this Code, the following special definitions shall apply:

- 3. *"Electronic Message Board"* shall mean a sign with a message copy or other display that is produced and periodically changed electronically or electrically that is attached to another sign, or to the support structure. The message copy or display shall be limited to public service announcements, time and temperature, and goods or services available on the premises, and shall consist of words, letters, numbers and punctuation only. Illumination shall be of a constant intensity, and shall not blink, flash or give the appearance of movement.

H. Stormwater Regulation Definitions. For the purposes of Section 713 of the Code, the following special definitions shall apply:

- 8. *"Infiltration"* shall mean the process ~~of percolating storm water into the subsurface soil without an underdrain~~ through which stormwater runoff penetrates into soil from the ground surface.

I. Riparian Buffer District Definitions. For the purposes of Section 51~~64~~ of the Code, the following special definitions shall apply:

CHAPTER 3: DECISION MAKING AND ADMINISTRATIVE BODIES

SECTION 301: BOARD OF TRUSTEES. The duly elected Village Board of Trustees shall have all the authority granted it by general law of the State of Vermont and the Village Charter, including, but not limited to, the following:

- A. To adopt the ~~Village Comprehensive~~ Plan and any amendments thereto.
- E. To act pursuant to Section 506 on requests for waivers from the noise standards in ~~Chapter 13 and~~ Section 718.
- H. To act and approve requests regarding access to Rights-of-way and curb cuts pursuant to Sections 509 and 705.

SECTION 302: PLANNING COMMISSION

B. Powers and Duties. The Planning Commission shall have all powers granted municipal planning commissions under the general laws of the State of Vermont, including, but not limited to, the following:

~~4. To prepare, cause to be prepared, or review a Capital Budget and present findings to the Trustees.~~

CHAPTER 4: REGULATION OF LAND USE ACTIVITIES

SECTION 401: APPROVALS REQUIRED. No person shall commence any of the following activities without first obtaining the required approval from the Village. Any building permit may be subject to additional state or federal permits.

A. Approval required for the construction, ~~demolition, or alteration~~ of any structure, the making of any material change in the use of any structure or land, the making of a change in the intensity of use of a structure or land, or the filling of land pursuant to Section 502.

CHAPTER 5: DEVELOPMENT REVIEW PROCEDURES

This Chapter establishes procedures for review of any activity that requires approval under the Land Development Code.

SECTION 501: PROCEDURES OF GENERAL APPLICABILITY

D. Notice of Public Hearings and Public Meetings. Notice of public hearings or meetings required under this Code shall comply with this Section ~~and with Vermont's Open Meeting Law (1 V.S.A. §§ 310-314)~~ unless otherwise specified.

SECTION 502: APPROVAL PROCEDURES FOR ACTIVITIES REQUIRING REVIEW UNDER CHAPTERS 6 AND 7

A. Zoning Permit Requirement. A zoning permit is required for the construction of any structure, the making of any material change in the use of any structure or land, the making of a change in the intensity of use of a structure or land, or the filling of land. For the purpose of this Code, the activities identified in this section are referred to as "development activities".

1. Approval Required. Issuance of a zoning permit shall require review and approval under one or more of the following review procedures, as determined by the staff:

- (a) Permitted Use - Section 502.B
- (b) Conditional Use - Section 502.C
- (c) Temporary Use - Section 502.D
- ~~(d) Exposition Center PUD - Section 502.E~~
- ~~(e) Commercial PUD - Section 502.F~~
- (d) Professional Office Development - Section 502.E
- ~~(g) Agriculture PUD - Section 502.H~~
- (e) Site Plans - Section 502.F

- (f) Home Occupation - Section 502.G
- (g) Signs - Section 502.H
- (h) Accessory Apartments - Section 502.I
- (i) Nonconforming Use - Section 502.J
- (j) Noncomplying Structure - Section 502.K
- (k) Existing Small Lots - Section 502.L
- (l) Planned ~~Residential~~ Unit Development (PUD) - Section 502.M
- (m) Telecommunications – Section 502.N
- (n) Master Plans – Section 502.O

B. Approval of Permitted Uses

3. Approval Standards. Staff shall review an application for a permitted use to determine if it meets the dimensional requirements of Chapter 6 and the development standards of Chapter 7. ~~If Staff Approval will be granted if staff determines that the use meets such standards, it will approve the use.~~

~~E. — Exposition Center PUD. Development activity involving an Exposition Center PUD shall be reviewed under the provisions of this Subsection. For the purposes of this Code, an Exposition Center PUD shall be defined as the development of a parcel of land with multiple buildings, vehicle parking areas and appurtenant facilities for the purpose of conducting indoor and outdoor exhibits, carnivals, fairs, concerts, trade shows and similar events.~~

~~1. — Approval of an application for an Exposition Center PUD requires approval of a Conceptual Plan by the Commission in accordance with the requirements of Section 511.C.~~

~~2. — If the application involves the construction of new buildings or the alteration of existing buildings or facilities, Site Plan approval is also required; see section 502.I.~~

~~3. — Submittal Requirements. In addition to the requirements for submittal of a Conceptual Plan specified in Section 511.C below, a Conceptual Plan for an Exposition Center PUD shall contain the following:~~

- ~~(a) The location and type of all permanent signs.~~
- ~~(b) The location of areas proposed for temporary and permanent signs which are visible from any public street.~~
- ~~(c) The general location of areas to be used for specific purposes or events, including parking.~~
- ~~(d) The general location of permanent fencing, screening and landscaping, including a description of types of plant materials.~~
- ~~(e) The general location of areas to be occupied by temporary structures, including distances between buildings and from structures to property lines. Temporary structures are those not staying in one location for more than two consecutive weeks or not served by water, sewer, and electric power connections.~~
- ~~(f) The approximate location of any proposed roads, sidewalks or bike paths.~~
- ~~(g) A proposed phasing schedule and map.~~
- ~~(h) A description of methods used to estimate the impact of the proposed development on public infrastructure.~~

~~4. — Standards of Review. The Commission shall review the proposed Exposition Center PUD in accordance with the standards specified in Section 612 of this Code.~~

~~5. — Conditions. The Commission may approve the proposed Exposition Center PUD~~

with conditions designed to meet the standards established in Section 612 of this Code. 6. ~~Classification and Approval of Activities.~~ Plans for specific activities in an Exposition Center PUD shall be classified by the Community Development Department as permitted activities, temporary activities or major activities, and shall be reviewed in the following manner:

~~(a) Permitted activities.~~ Permitted activities require no permits, provided that no new or temporary structures are proposed. The applicant shall notify Staff in writing, not less than two (2) days, excluding weekends and holidays, prior to the activity to ensure that additional review is not necessary. The following are permitted activities:

- ~~(i) Agriculture shows or exhibitions and related sales.~~
- ~~(ii) Educational workshops.~~
- ~~(iii) Special training, including driver's education, surveying techniques and similar training activities.~~
- ~~(iv) Reunions.~~
- ~~(v) Low intensity recreation activities.~~
- ~~(vi) Offices directly related to the Fairground's activities.~~
- ~~(vii) Storage facilities for equipment to be used for maintenance of any approved event or as a seasonal use.~~
- ~~(viii) Horse boarding.~~

~~(b) Temporary Activities.~~ Temporary activities require staff review and approval. An application for a Temporary Use Permit shall be submitted in accordance with Section 502.D of this Code. In addition to the Temporary Use Permit standards, Staff shall review a temporary activity under the standards in Section 612.

~~(i) An application for a temporary activities permit may be submitted for a series of events over a one-year period (an annual permit application) or for individual events. Approval of an annual permit application shall not preclude application for and receipt of any number of single permits for events during the same year.~~

~~(ii) Annual permit applications shall be reviewed within twenty-one (21) days of receipt.~~

~~(iii) Single permit applications shall be reviewed within forty-eight (48) hours receipt.~~

~~(iv) The following shall be deemed temporary activities:~~

- ~~(aa) Antique shows;~~
- ~~(bb) Dog shows;~~
- ~~(cc) Car shows;~~
- ~~(dd) Craft shows;~~
- ~~(ee) Group sales (retail associations, car dealerships, clearance sales or similar events);~~
- ~~(ff) Sales of products associated with another temporary or permitted event;~~
- ~~(gg) Concerts; and~~
- ~~(hh) Trade shows.~~

~~(c) Major Activities.~~ The Planning Commission shall hold a public meeting in connection with review of a major activity, and may require a public hearing.

~~(i) Standards of review. The Commission shall review each application for a major activity permit on its individual merits. Special consideration shall be given to mitigation efforts proposed to reduce potential community impacts. In granting such a permit, the Commission may impose conditions regarding:~~

- ~~(aa) Time of the events;~~
- ~~(bb) Parking and traffic control measures;~~
- ~~(cc) Temporary off-site parking of recreational vehicles on public property;~~
- ~~(dd) Noise mitigation;~~
- ~~(ee) Location of the event within the District; and~~
- ~~(ff) Impacts which, in the opinion of the Commission, are reasonable and will mitigate adverse impacts.~~

~~(ii) The following shall be deemed major activities;~~

- ~~(aa) Any event for which a permit has been denied by Staff;~~
- ~~(bb) Events which last more than five (5) days (excluding set-up and take-down);~~
- ~~(cc) Any event which exceeds the performance standards specified in Section 718 of this Code, or which exceeds the standards specified in Chapter 13 of this Code.~~

~~(iii) Annual agricultural exhibitions shall be reviewed by staff on an annual basis and are classified as a major use. Staff may approve all activities specified below. The Commission shall review any activity denied by Staff.~~

~~(aa) Normal Activities. Daily shows (other than grandstand shows), education workshops, product demonstrations, agricultural events, food services, booths, carnivals, and any activity within enclosed structures shall be considered as normal activities and shall not be individually reviewed.~~

~~(bb) Cumulative Effects. The cumulative effects of fair activities shall be reviewed annually with Staff, the Police Department and the applicant. Review is restricted to traffic control, lighting, parking, and noise abatement plans. Reasonable efforts shall be made to reduce potential adverse impacts of annual events. In the event that agreement is not reached, the Commission shall consider the outstanding issues at a public meeting on the next Commission agenda.~~

~~(cc) Special Events. Special events, including, but not limited to, concerts, demolition derbies, tractor pulls and other grandstand events shall be reviewed for compliance with standards for noise, dust control, parking and traffic flow. Staff may not grant waivers to any standard included in this Code. If it is expected that noise standards may be exceeded, application shall be made to the Trustees for a waiver in accordance with Section 506 of this Code. Staff may approve any special event which does not exceed standards and may impose reasonable conditions regarding control of traffic, noise and dust. In addition, Staff may stipulate hours of~~

~~operation to ensure conformance with adopted standards.~~

~~7. Signs. Signs in the Planned Exposition Center PUD shall be approved by the Commission as part of Conceptual and/or Site Plan review.~~

~~(a) The Commission shall consider the following:~~

~~(i) Compatibility with the Conceptual Plan.~~

~~(ii) Compatibility with the adjoining property.~~

~~(iii) Visual design.~~

~~(iv) Landscaping.~~

~~(v) Location and size.~~

~~(b) Specific types of signs which may be approved subject to the above, including a single sign with changeable messages to advertise events and signs near the streets to direct pedestrian, bicycle and vehicular traffic to appropriate entrances. The general location and type of Temporary signs shall be reviewed by the Commission.~~

~~8. Expiration of Approvals. Approval for an Exposition Center PUD or approvals for any activities to be conducted at such PUD shall expire in accordance with terms set forth in the approval.~~

~~9. Appeals:~~

~~(a) Any interested person may appeal a decision of the Planning Commission regarding an Exposition Center PUD or conduct of a major activity at an Exposition Center PUD in accordance with the procedures set forth in Section 1707 below.~~

~~(b) Any interested person may appeal a decision of the Staff classifying an activity at an Exposition Center PUD to the Planning Commission in accordance with the procedures set forth in Section 1704 below.~~

~~F. Commercial PUD:~~

~~1. Activities involving a Commercial PUD shall be reviewed in accordance with the procedures of this Section. Commercial PUD's are authorized in the Village Center District pursuant to Section 604.G, Highway Arterial District pursuant to Section 605.G and in the Transit Oriented Development District pursuant to Section 608.K.~~

~~2. Application Requirements. An application for a Commercial PUD shall be submitted and reviewed in accordance with the procedures of Section 511.~~

~~3. Review Standards. An application for a Commercial PUD shall be reviewed under the applicable standards of Section 604.G, Section 605.G and Section 724.~~

~~4. Expiration of Approval. An approval for a Commercial PUD shall expire in accordance with terms set forth in the approval.~~

~~5. Appeals. Any interested person may appeal a decision of the Commission regarding a Commercial PUD in accordance with the procedures set forth in Section 1707.~~

~~H. Agriculture PUD~~

~~1. Development activities involving Agriculture PUDs shall be reviewed under the provisions of this Subsection. Agriculture PUDs are allowed in the Planned Agriculture District pursuant to Section 613.~~

~~2. Applications shall be reviewed in accordance with the procedures set forth in Section 511. If the proposed Agriculture PUD includes new or altered buildings or~~

- facilities, Site Plan approval and/or Subdivision approval may be required.
- ~~3. Submittal requirements. In addition to the submittal requirements established in Section 511, applications for an Agriculture PUD shall include the following:~~
- ~~(a) The location and acreage of land to be reserved for agricultural purposes.~~
 - ~~(b) Draft legal documents to ensure the continued availability of said lands for agricultural purposes in the future.~~
 - ~~(c) A description and map of areas to receive transferred development rights, if any.~~
 - ~~(d) A description of methods used to preserve agricultural lands other than the transfer of development rights, if applicable.~~
 - ~~(e) Other information as needed to demonstrate compliance with the purpose of Section 613 of this Code.~~
- ~~4. A Conceptual Plan shall be submitted which includes, at a minimum, the following information:~~
- ~~(a) Location and acreage of all prime agricultural lands in single ownership.~~
 - ~~(b) Location and acreage of all land proposed to be developed.~~
 - ~~(c) Sending and receiving areas of all land proposed for transfer of development rights.~~
 - ~~(d) Location of all land proposed for conservation of prime agricultural lands.~~
 - ~~(e) Location and acreage of land proposed to be preserved as open space in perpetuity.~~
 - ~~(f) Location and acreage of any lands to be transferred to qualified land trusts or non-profit organizations.~~
 - ~~(g) Proposed phasing schedule.~~
 - ~~(h) Proposed methods of preserving agriculture land.~~
- ~~5. Standards of Review. The Commission shall review the proposed Agriculture PUD in accordance with the standards specified in Section 613 of this Code. Generally, the Commission shall consider the effect of the proposed development on the Community, public infrastructure and adjoining development. Mitigation efforts, including noise control, traffic control and landscaping shall be considered.~~
- ~~6. Conditions. The Commission may approve the proposed Agriculture PUD with conditions designed to meet the standards established in Section 613 of this Code.~~
- ~~7. Expiration of Approval. An approval for an Agriculture PUD shall expire in accordance with terms set forth in the approval.~~
- ~~8. Appeal. Any interested person may appeal a decision of the Commission regarding an Agriculture PUD in accordance with the procedures set forth in Section 1707 below.~~

F. Approval of Site Plans

4. Site Plan Application Requirements. The applicant shall submit a Site Plan, drawn to scale (including a north arrow) and documentation to include the following:
- (c) A survey of the property prepared by a Land Surveyor licensed to practice in the State of Vermont which shows existing or proposed rights-of-way and easements. This is **only** required for projects that involve new buildings.
 - (s) Location and type of all proposed signs.
 - (t) Other **additional** information requested by Staff to provide a clear understanding of the project.

11. Site Plan Amendments/Minor Developments. Amendments to approved Site Plans ~~(except site changes in accordance with Section 502.I.11.B)~~ shall be classified by Staff as a major or minor amendment based upon the following criteria:

H. Approval of Signs

(d) **Sign** Permit Applications:

SECTION 506: APPROVAL OF WAIVERS TO STANDARDS OF ~~CHAPTER 12 NOISE SECTION 718.B~~

D. Appeals/Waivers. The Trustees shall review all waiver requests. Waivers may be granted for one event or for multiple events. The Trustees may authorize waivers for the same activity on one or more occasions, or for one or more years.

1. Upon written request, the Trustees may grant a waiver from the provisions of ~~Chapter 13 Noise Section 718.B~~ for any activity which has received approval required herein, and:
2. When granting a waiver under this Section, the Trustees may attach reasonable conditions to minimize the impact of the waiver on adjoining properties. Such conditions may include but are not limited to:
 - (d) Requirements to use particular equipment or procedures to minimize **noise sound**.

E. Appeals. An individual who proposes an activity which Staff determines will result in **noise sound** in excess of the standards of ~~Chapter 13 Section 718.B~~ may appeal such decision to the Board of Trustees in accordance with the procedures of Section 1705.

SECTION 511: GENERAL REVIEW PROCEDURES FOR PLANNED UNIT DEVELOPMENTS

B. Review Requirements and Review Standards.

3. Waivers. The Commission may waive requirements for lot coverage, setbacks, parking and height based upon the merits of the specific proposal. Waivers shall be based upon the following criteria and may include specific conditions.
 - (e) **Waiver of building height in Light Industrial District only.**

C. Conceptual Plan. A Conceptual Plan review is required to discuss initial project feasibility and to give the applicant the right to proceed. Detailed engineering studies are not required but sufficient data shall be submitted to enable the Commission to review the merits of the proposal.

6. Final Development Plan.
 - ~~(f) Concurrent Review. Any application for a Planned Development may be reviewed concurrently with other approvals needed for the development, including but not limited to, Subdivision, Conditional Use and any other application which may be put before the Zoning Board. Concurrent review of any application does not guarantee that one or more of the applications will not be denied.~~

SECTION 513: APPROVAL OF ACTIVITIES INVOLVING THE CONSTRUCTION OF A STORMWATER SYSTEM

G. — ~~Properties greater than one (1) acre will require a state stormwater permit in accordance with the Agency of Natural Resources Rules, as covered by permit 3-9020 Construction General Permit. Permits for Stormwater Discharges Associated with Construction Activities.~~ Under the National Pollutant Discharge Elimination System (NPDES), construction projects involving one (1) acre or more of land disturbance require a stormwater permit to discharge stormwater runoff from construction activities, as covered by Construction General Permit 3-9020, which is overseen by The Vermont Department of Environmental Conservation’s Watershed Management Division.

CHAPTER 6: ZONING DISTRICTS REGULATIONS

SECTION 601: MULTI-FAMILY RESIDENTIAL 1 (M-F1)

- C. Setback Requirements
 - (b) The proposed setback would be in keeping with the setbacks and character of anticipated future development of the area.
~~Applicants may apply for a variance if they do not meet the criteria above but believe they cannot meet the requirements of this Section.~~

- G. Planned Unit Residential Development. ~~Pursuant to 24 V.S.A. §4407(12),~~ The Planning Commission may approve a Planned Unit Development for use as a Multi-Family and/or Single-Family Residential Development.
 - of a specific proposal.
 - 2. Specific Review Standards
 - (b) ~~Structural design and~~ Design compatibility with adjoining developed properties.
(g) Use of innovative techniques, including but not limited to, clustering, Zero Lot Lines development, purchase/leaseback arrangements, and the provision of amenities including biking and hiking trails.
 - 3. Waivers. The Commission may waive requirements for lot coverage, setbacks, parking and ~~lot coverage,~~ height based upon the merits of the specific proposal.

SECTION 602: MULTI-FAMILY RESIDENTIAL 2 (M-F2)

- C. Setback Requirements
 - (b) The proposed setback would be in keeping with the setbacks and character of anticipated future development of the area.
~~Applicants may apply for a variance if they do not meet the criteria above but believe they cannot meet the requirements of this Section.~~

- G. Planned Unit Residential Development. ~~Pursuant to 24 V.S.A. §4407(12),~~ The Planning Commission may approve a Planned Unit Development for use as a Multi-Family and/or Single-Family Residential Development. In connection with such PUD approval, the Planning Commission may authorize the construction of structures and facilities to accommodate any of the uses allowed in the Multi-Family Residential 2 District. Any application for proposed

development in the Multi-Family Residential 2 District may, at the applicant's request, be reviewed as a Planned ~~Unit Residential~~ Development under the provisions of this Section. Any application for proposed development in the Multi-Family Residential 2 District which contains more than five (5) units ~~of housing~~ shall be reviewed as a Planned ~~Unit Residential~~ Development unless this requirement is specifically waived by the Commission. Refer to Section 601.G.1-3 for general and specific review standards in addition to waiver information for a PUD.

~~General Review Standards:~~

- ~~(a) — Physical characteristics of the site and relation to surrounding properties.~~
- ~~(b) — Relationship to major transportation facilities, including mass transit, walkways and bike paths.~~
- ~~(c) — Design characteristics of the proposal and compatibility to adjoining developed land.~~
- ~~(d) — Unique design or land planning characteristics.~~
- ~~(e) — Methods used to provide a transition between adjoining uses and proposed uses including, but not limited to, setbacks, screening, fencing, building design and parking design.~~
- ~~(f) — The preservation of unique natural physical characteristics.~~
- ~~(g) — Building design compatibility with adjoining structures.~~
- ~~(h) — Other criteria, as deemed necessary by the Commission to evaluate the merits of a specific proposal.~~

~~2. — Specific Review Standards~~

- ~~(a) — Proposed traffic flow and circulation design.~~
- ~~(b) — Structural design and compatibility with adjoining developed properties.~~
- ~~(c) — Scale and design of proposed structures.~~
- ~~(d) — Location and setbacks of all proposed structures.~~
- ~~(e) — Unique physical characteristics of the proposed use.~~
- ~~(f) — Unique characteristics of the proposed use.~~

~~3. — Waivers. The Commission may waive requirements for setbacks, parking and lot coverage, based upon the merits of the specific proposal. Waivers shall be based upon the following criteria and may include specific conditions.~~

- ~~(a) — Unique physical characteristics of the site proposed for development.~~
- ~~(b) — Superior building design, lot layout and landscaping design.~~
- ~~(c) — Provision of public open spaces or superior bicycle and pedestrian access.~~
- ~~(d) — Joint or combined vehicular access with adjoining properties.~~

SECTION 603. MULTI-FAMILY RESIDENTIAL 3 (M-F3)

C. Setback Requirements

- (b) The proposed setback would be in keeping with the setbacks and character of anticipated future development of the area.

~~Applicants may apply for a variance if they do not meet the criteria above but believe they cannot meet the requirements of this Section.~~

G. Planned ~~Unit Residential~~ Development. Pursuant to ~~24 V.S.A. §4407(12)~~, The Planning Commission may approve a Planned Unit Development for use as a Multi-Family and/or Single-Family Residential Development. In connection with such PUD approval, the Planning Commission may authorize the construction of structures and facilities to accommodate any of

the uses allowed in the Multi-Family Residential 2 District. Any application for proposed development in the Multi-Family Residential 2 District may, at the applicant's request, be reviewed as a Planned ~~Unit Residential~~ Development under the provisions of this Section. Any application for proposed development in the Multi-Family Residential 2 District which contains more than five (5) units ~~of housing~~ shall be reviewed as a Planned ~~Unit Residential~~ Development unless this requirement is specifically waived by the Commission. Refer to Section 601.G.1-3 for general and specific review standards in addition to waiver information for a PUD.

~~General Review Standards:~~

- ~~(a) — Physical characteristics of the site and relation to surrounding properties.~~
- ~~(b) — Relationship to major transportation facilities, including mass transit, walkways and bike paths.~~
- ~~(c) — Design characteristics of the proposal and compatibility to adjoining developed land.~~
- ~~(d) — Unique design or land planning characteristics.~~
- ~~(e) — Methods used to provide a transition between adjoining uses and proposed uses including, but not limited to, setbacks, screening, fencing, building design and parking design.~~
- ~~(f) — The preservation of unique natural physical characteristics.~~
- ~~(g) — Building design compatibility with adjoining structures.~~
- ~~(h) — Other criteria, as deemed necessary by the Commission to evaluate the merits of a specific proposal.~~

~~2. — Specific Review Standards~~

- ~~(a) — Proposed traffic flow and circulation design.~~
- ~~(b) — Structural design and compatibility with adjoining developed properties.~~
- ~~(c) — Scale and design of proposed structures.~~
- ~~(d) — Location and setbacks of all proposed structures.~~
- ~~(e) — Unique physical characteristics of the proposed use.~~
- ~~(f) — Unique characteristics of the proposed use.~~

~~3. — Waivers. The Commission may waive requirements for setbacks, parking and lot coverage, based upon the merits of the specific proposal. Waivers shall be based upon the following criteria and may include specific conditions:~~

- ~~(a) — Unique physical characteristics of the site proposed for development.~~
- ~~(b) — Superior building design, lot layout and landscaping design.~~
- ~~(c) — Provision of public open spaces or superior bicycle and pedestrian access.~~
- ~~(d) — Joint or combined vehicular access with adjoining properties.~~

SECTION 604: VILLAGE CENTER (VC)

A. Purpose. ~~To provide for a compact commercial center, having a mix of commercial, governmental, cultural and residential uses, and which reflects and reinforces the existing architecture, design and layout. It is the intent of this district to allow as new structures only those structures which are designed and constructed to be visually compatible with the historic character of the Village Center and similar to existing structures. To provide a compact commercial center having a mix of commercial, governmental, cultural and mixed use buildings that are consistent with the purpose of a Designated Village Center District, and a Neighborhood Development Area as defined by the State of Vermont. The Village Center shall be the core for an ongoing revitalization that will improve the community's vitality and livability and the goal of~~

having a Center that accommodates growth. Due to the historic nature of the residential neighborhoods surrounding the Five Corners area the design and layout of any new developments or infill projects shall acknowledge the importance of the existing streetscape and enhance the area through an architectural design and site layout that enhances pedestrian connectivity to adjacent properties. It is the intent of this district to allow as new structures only those structures which are designed and constructed to enhance the streetscape and add value aesthetically, economically and socially to the Village Center.

C. Setback Requirements. No requirements for commercial or mixed use buildings. ~~The~~ For single family buildings the front yard setback shall be established by the average setback of the principal structures on the two adjacent lots (or the closest two lots on the same side of the same street) and the minimum setback requirement for the underlying zoning district.

~~Applicants may apply for a variance if they do not meet the criteria above but believe they cannot meet the requirements of this Section.~~

E. Design Review and Historic Preservation. ~~Because of the unique and historic qualities of the Village Center District and the special role that it plays in the over-all Village, the Commission is hereby authorized to undertake a special review, as part of its site plan review. Because of the important role the Village Center plays in the regional economy and the unique historic qualities of some of the existing buildings, the Commission is hereby authorized to undertake a special review, as part of its site plan review.~~ 1. Purpose. The purpose of this section is to protect ~~the historic character of the Village Center District including~~ those buildings listed or eligible for the State or Federal Register of Historic Places while accommodating new and appropriate infill and redevelopment supporting increased density and multi-modal development. New buildings and modifications to existing ones shall be subject to design review. ~~be compatible with the historic character of the Village Center District as represented by the design review standards listed in Section 604.E.4.~~

4. District Design Requirements.

(a) Design Standards for the Village Center

(i) The relationship of building mass and architectural detail to open space and to the relative size of a person shall be reviewed by the Commission in this District. ~~shall be compatible with such established relationships in the district.~~

(ii) The predominant direction of structural shape, of placement of openings and architectural details at the front façade shall be harmonious with the core principles of a designated Village Center District. ~~shall be consistent with such established conditions in the district.~~

(v) The following architectural elements or features shall be **harmonious compatible** with existing buildings and significant, predominant or established patterns in the district:

(b) Secretary of the Interiors Standards for the Rehabilitation of Historic Structures:

(i) An **existing** property shall be used for its historic purpose or be placed in a new use that requires minimal change to the defining characteristics of the building and its site and environment.

5. Demolition of Historic Structures. The demolition of **listed, or properties eligible for historic listing, historic structures** is discouraged and it is the intent of this

section to limit the demolition of historic structures unless the following standards are met.

(iv) Any building in non-compliance with the design requirements for historic structures as a result of a fire, flood or similar unforeseen event shall apply within six months of the date of the event for an application to ~~demolition of demolish~~ the building or approval of a plan for restoration.

(c) Approval for Demolition. Historic buildings that are approved for demolition require the applicant to comply with the following:

(ii) Assurance from the applicant that the redevelopment plan as approved will be implemented if the historic structure demolition is approved based on the community benefit of the redevelopment plan. In addition, structures approved for demolition based on the community benefit shall not be demolished until construction of the entire project has ~~been~~ received all financial resources and regulatory permits.

6. Formula-Based Retail and Restaurants.

(c) Review Standards. In addition to the conditional use review standards, the following criteria pertain to all proposed formula-based retail and restaurant establishments and the expansion of existing ones:

~~(ii) Signage shall be original and not used at other locations of the formula-based business.~~

~~(iii) Two or more formula-based businesses shall not locate on the same lot or parcel.~~

G. Planned Unit Development. ~~Pursuant to 24 V.S.A. §4407(12)~~, The Planning Commission may approve a Planned Unit Development in the Village Center District. In connection with such PUD approval, the Planning Commission may authorize the construction of structures and facilities to accommodate any of the uses allowed in the Village Center District. Any application for proposed development in the Village Center District may, at the applicant's request, be reviewed as a Planned Unit Development under the provisions of this Section.

1. Commercial PUD.

~~(a) Activities involving a Commercial PUD shall be reviewed in accordance with the procedures of this Section. Commercial PUD's are authorized in the Village Center District pursuant to Section 604.G.~~

~~(b) Application Requirements. An application for a Commercial PUD shall be submitted and reviewed in accordance with the procedures of Section 511.~~

~~(c) Review Standards. An application for a Commercial PUD shall be reviewed under the applicable standards of Section 511.B.1-3.~~

~~(d) Expiration of Approval. An approval for a Commercial PUD shall expire in accordance with terms set forth in the approval.~~

~~(e) Appeals. Any interested person may appeal a decision of the Commission regarding a Commercial PUD in accordance with the procedures set forth in Section 1707.~~

~~1. General Review Standards~~

~~(a) Physical characteristics of the site and relation to surrounding properties.~~

~~(b) Relationship to major transportation facilities, including mass transit, walkways and bike paths.~~

~~(c) Design characteristics of the proposal and compatibility to adjoining~~

~~developed land.~~

~~(d) — Unique design or land planning characteristics.~~

~~(e) — Methods used to provide a transition between adjoining uses and proposed uses including, but not limited to, setbacks, screening, fencing, building design and parking design.~~

~~(f) — The preservation of unique natural physical characteristics.~~

~~(g) — Building design compatibility with adjoining structures.~~

~~(h) — Other criteria, as deemed necessary by the Commission to evaluate the merits of a specific proposal.~~

~~2. — Specific Review Standards~~

~~(a) — Proposed traffic flow and circulation design.~~

~~(b) — Structural design and compatibility with adjoining developed properties.~~

~~(c) — Scale and design of proposed structures.~~

~~(d) — Location and setbacks of all proposed structures.~~

~~(e) — Unique physical characteristics of the proposed use.~~

~~(f) — Unique characteristics of the proposed use.~~

~~3. — Waivers. The Commission may waive requirements for setbacks, parking and lot coverage, based upon the merits of the specific proposal. Waivers shall be based upon the following criteria and may include specific conditions.~~

~~(a) — Unique physical characteristics of the site proposed for development.~~

~~(b) — Superior building design, lot layout and landscaping design.~~

~~(c) — Provision of public open spaces or superior bicycle and pedestrian access.~~

~~(d) — Joint or combined vehicular access with adjoining properties.~~

H. Building Height. Building heights shall not exceed four (4) stories or fifty-eight (58) feet, whichever is less.

~~1. — Building Height Waiver — The Planning Commission may grant a height waiver up to six (6) stories or eighty-four (84) feet, whichever is less if the Commission determines that the proposed building and site design would not negatively impact the character of the neighborhood. The Commission may place conditions on any building height waiver to ensure that the proposed project does not adversely affect the surrounding neighborhood.~~

SECTION 605: HIGHWAY-ARTERIAL DISTRICT (HA)

B. Density/Lot Coverage.

2. The maximum total lot coverage shall be sixty-five (65) percent, the sixty-five (65) percent lot coverage may be increased up to eighty (80) percent through a waiver process granted by the Planning Commission using the same criteria outlined in Section ~~605601~~.G.3.

F. Building Height. Building height shall not exceed four (4) stories or fifty-eight (58) ~~feet, six stories or seventy two (72)~~ feet, whichever is less.

~~1. — Building Height Waiver — The Planning Commission may grant a height waiver up to six (6) stories or eighty-four (84) feet, whichever is less if the commission determines that the proposed building and site design would not negatively impact the character of the neighborhood. The commission may place conditions on any building height waiver to ensure that the proposed project does not adversely affect the surrounding neighborhood.~~

G. Planned Unit Development. ~~Pursuant to 24 V.S.A. §4407(12),~~ The Planning Commission may approve a Planned Unit Development in the Highway Arterial District. In connection with such PUD approval, the Planning Commission may authorize the construction of structures and facilities to accommodate any of the uses allowed in the Highway Arterial District. Any application for proposed development in the Highway Arterial District may, at the applicant's request, be reviewed as a Planned Unit Development ~~under the provisions of this Section.~~ Refer to Section 511.B.1-3 for general and specific review standards in addition to waiver information for a PUD.

~~1. General Review Standards.~~

- ~~(a) Physical characteristics of the site and relation to surrounding properties.~~
- ~~(b) Relationship to major transportation facilities, including mass transit, walkways and bike paths.~~
- ~~(c) Design characteristics of the proposal and compatibility to adjoining developed land.~~
- ~~(d) Unique design or land planning characteristics.~~
- ~~(e) Methods used to provide a transition between adjoining uses and proposed uses including, but not limited to, setbacks, screening, fencing, building design and parking design.~~
- ~~(f) The preservation of unique natural physical characteristics.~~
- ~~(g) Building design compatibility with adjoining structures.~~
- ~~(h) Other criteria, as deemed necessary by the Commission to evaluate the merits of a specific proposal.~~

~~2. Specific Review Standards~~

- ~~(a) Proposed traffic flow and circulation design.~~
- ~~(b) Structural design and compatibility with adjoining developed properties.~~
- ~~(c) Scale and design of proposed structures.~~
- ~~(d) Location and setbacks of all proposed structures.~~
- ~~(e) Unique physical characteristics of the proposed use.~~
- ~~(f) Unique characteristics of the proposed use.~~

~~3. Waivers. The Commission may waive requirements for setbacks, parking and lot coverage, based upon the merits of the specific proposal. Waivers shall be based upon the following criteria and may include specific conditions:~~

- ~~(a) Unique physical characteristics of the site proposed for development.~~
- ~~(b) Superior building design, lot layout and landscaping design.~~
- ~~(c) Provision of public open spaces or superior bicycle and pedestrian access.~~
- ~~(d) Joint or combined vehicular access with adjoining properties.~~

1. Commercial PUD.

- (a) Activities involving a Commercial PUD shall be reviewed in accordance with the procedures of this Section. Commercial PUD's are authorized in the Highway-Arterial District pursuant to Section 605.G.
- (b) Application Requirements. An application for a Commercial PUD shall be submitted and reviewed in accordance with the procedures of Section 511.
- (c) Review Standards. An application for a Commercial PUD shall be reviewed under the applicable standards of Section 511.B.1-3 ~~604.G, Section 605.G and Section 724.~~
- (d) Expiration of Approval. An approval for a Commercial PUD shall expire in accordance with terms set forth in the approval.

(e) Appeals. Any interested person may appeal a decision of the Commission regarding a Commercial PUD in accordance with the procedures set forth in Section 1707.

SECTION 606: MULTI-FAMILY/MIXED-USE-1 DISTRICT (MF-MU1)

A. Purpose. The Multi-Family/Mixed-Use-1 District is intended to allow high density multi-family development along low intensity commercial uses along major transportation and public transit corridors. High Density, Mixed Use developments and affordable housing with parking below grade or on the first floor of the building are encouraged. Development in the MF-MU1 District should support alternative modes of transportation, while accommodating the automobile. ~~Developments within this district should be designed in such a way as to build upon the village character found in the core areas of the Village.~~

B. Density/Lot Coverage.

1. The minimum lot size in the MF-MU1 District shall be fifteen thousand (15,000) square feet. The MF-MU1 District shall not have a maximum allowable density. The maximum number of dwelling units shall be determined by the ability to meet the standards of the Land Development Code including, but not limited to, parking, setbacks, lot coverage and building height.

2. The maximum total lot coverage shall be sixty-five (65) percent, the sixty-five (65) percent lot coverage may be increased up to eighty (80) percent through a waiver process granted by the Planning Commission using the same criteria outlined in Section ~~605601~~.G.3.

F. Building Height. Building Height shall not exceed four (4) stories or fifty-eight (58) feet, whichever is less.

~~1. Building Height Waiver—The Planning Commission may grant a height waiver up to six (6) stories or eighty-four (84) feet, whichever is less if the commission determines that the proposed building and site design would not negatively impact the character of the neighborhood. The commission may place conditions on any building height waiver to ensure that the proposed project does not adversely affect the surrounding neighborhood.~~

G. Planned Unit Development. ~~Pursuant to 24 V.S.A. §4407(12),~~ The Planning Commission may approve a Planned Unit Development for use as a MF-MU1 District. In connection with such PUD approval, the Planning Commission may authorize the construction of structures and facilities to accommodate any of the uses allowed in the Multi-Family Mixed-Use-1 District. Any application for proposed development in the Multi-Family Mixed-Use-1 District may, at the applicant's request, be reviewed as a Planned Unit Development ~~under the provisions of this Section~~. Refer to Section 511.B.1-3 for general and specific review standards in addition to waiver information for a PUD.

~~1. General Review Standards:~~

~~(a) Physical characteristics of the site and relation to surrounding properties.~~

~~(b) Relationship to major transportation facilities, including mass transit, walkways and bike paths.~~

~~(c) Design characteristics of the proposal and compatibility to adjoining~~

~~developed land.~~

~~(d) — Unique design or land planning characteristics.~~

~~(e) — Methods used to provide a transition between adjoining uses and proposed uses including, but not limited to, setbacks, screening, fencing, building design and parking design.~~

~~(f) — The preservation of unique natural physical characteristics.~~

~~(g) — Building design compatibility with adjoining structures.~~

~~(h) — Other criteria, as deemed necessary by the Commission to evaluate the merits of a specific proposal.~~

~~2. — Specific Review Standards~~

~~(a) — Proposed traffic flow and circulation design.~~

~~(b) — Structural design and compatibility with adjoining developed properties.~~

~~(c) — Scale and design of proposed structures.~~

~~(d) — Location and setbacks of all proposed structures.~~

~~(e) — Unique physical characteristics of the proposed use.~~

~~(f) — Unique characteristics of the proposed use.~~

~~3. — Waivers. The Commission may waive requirements for setbacks, parking and lot coverage, based upon the merits of the specific proposal. Waivers shall be based upon the following criteria and may include specific conditions.~~

~~(a) — Unique physical characteristics of the site proposed for development.~~

~~(b) — Superior building design, lot layout and landscaping design.~~

~~(c) — Provision of public open spaces or superior bicycle and pedestrian access.~~

~~(d) — Joint or combined vehicular access with adjoining properties.~~

SECTION 607: MULTI-FAMILY/MIXED-USE-2 DISTRICT (MF-MU2)

B. Density/Lot Coverage

2. The maximum total lot coverage shall be sixty-five (65) percent, the sixty-five (65) percent lot coverage may be increased up to eighty (80) percent through a waiver process granted by the Planning Commission using the same criteria outlined in Section ~~605601~~.G.3.

F. Building Height. Building Height shall not exceed four (4) stories or fifty-eight (58) feet, whichever is less.

~~1. — Building Height Waiver — The Planning Commission may grant a height waiver up to six (6) stories or eighty-four (84) feet, whichever is less if the commission determines that the proposed building and site design would not negatively impact the character of the neighborhood. The commission may place conditions on any building height waiver to ensure that the proposed project does not adversely affect the surrounding neighborhood.~~

G. Planned Unit Development. Pursuant to 24 V.S.A. §4407(12), The Planning Commission may approve a Planned Unit Development for use as a MF-MU1 District. In connection with such PUD approval, the Planning Commission may authorize the construction of structures and facilities to accommodate any of the uses allowed in the Multi-Family Mixed-Use-1 District. Any application for proposed development in the Multi-Family Mixed-Use-1 District may, at the applicant's request, be reviewed as a Planned Unit Development ~~under the provisions of this~~

~~Section~~. Refer to Section 511.B.1-3 for general and specific review standards in addition to waiver information for a PUD.

1. ~~General Review Standards.~~
 - (a) ~~Physical characteristics of the site and relation to surrounding properties.~~
 - (b) ~~Relationship to major transportation facilities, including mass transit, walkways and bike paths.~~
 - (c) ~~Design characteristics of the proposal and compatibility to adjoining developed land.~~
 - (d) ~~Unique design or land planning characteristics.~~
 - (e) ~~Methods used to provide a transition between adjoining uses and proposed uses including, but not limited to, setbacks, screening, fencing, building design and parking design.~~
 - (f) ~~The preservation of unique natural physical characteristics.~~
 - (g) ~~Building design compatibility with adjoining structures.~~
 - (h) ~~Other criteria, as deemed necessary by the Commission to evaluate the merits of a specific proposal.~~
2. ~~Specific Review Standards~~
 - (a) ~~Proposed traffic flow and circulation design.~~
 - (b) ~~Structural design and compatibility with adjoining developed properties.~~
 - (c) ~~Scale and design of proposed structures.~~
 - (d) ~~Location and setbacks of all proposed structures.~~
 - (e) ~~Unique physical characteristics of the proposed use.~~
 - (f) ~~Unique characteristics of the proposed use.~~
3. ~~Waivers. The Commission may waive requirements for setbacks, parking and lot coverage, based upon the merits of the specific proposal. Waivers shall be based upon the following criteria and may include specific conditions:~~
 - (a) ~~Unique physical characteristics of the site proposed for development.~~
 - (b) ~~Superior building design, lot layout and landscaping design.~~
 - (c) ~~Provision of public open spaces or superior bicycle and pedestrian access.~~
 - (d) ~~Joint or combined vehicular access with adjoining properties.~~

SECTION 608: TRANSIT ORIENTED DEVELOPMENT (TOD)

- C. Applicability. Development proposals that involve ~~move more~~ more than thirty (30) percent or more of the existing building(s) square footage on the effective date of this ordinance shall be in full compliance with the standards of the TOD District.
1. The use chart in Section 620 identifies the allowed uses in the TOD District, which shall apply on effective date of this code. Non-conforming uses shall comply with the standards in Chapter 8 regarding non-conforming uses.
 2. ~~The Commission shall not approve any project which does not comply with the regulations established for the TOD District.~~
- F. Building Height. The maximum allowable building height shall be ~~6~~ four (4) stories or ~~eighty-four~~ fifty-eight (58) feet (~~84'~~), whichever is less.
- a. ~~Building Height Waiver—The Planning Commission may grant a height waiver up to six (6) stories or eighty-four (84) feet, whichever is less if the Commission determines that the proposed building and site design would not negatively impact the~~

~~character of the neighborhood. The Commission may place conditions on any building height waiver to ensure that the proposed project does not adversely affect the surrounding neighborhood.~~

H. Access to Public Streets. Curb cuts onto major arterial streets shall be minimized; shared curb cuts and joint access ~~is~~ **are** strongly encouraged.

K. Planned Unit Development. ~~Pursuant to 24 V.S.A. §4407(12),~~ The Planning Commission may approve a Planned Unit Development for use as a mixed use development. In connection with such PUD approval, the Planning Commission may authorize the construction of structures and facilities to accommodate any of the uses allowed in the TOD District. Any application for proposed development in the TOD District may, at the applicant's request, be reviewed as a Planned Unit Development. ~~under the provisions of this Section 604.G. Refer to Section 511.B.1-3 for general and specific review standards in addition to major transportation facilities, including public transit, walkways and bike paths.~~ waiver information for a PUD.

1. Commercial PUD.

~~(a) Activities involving a Commercial PUD shall be reviewed in accordance with the procedures of this Section. Commercial PUD's are authorized in the Transit Oriented Development District pursuant to Section 608.K.~~

~~(b) Application Requirements. An application for a Commercial PUD shall be submitted and reviewed in accordance with the procedures of Section 511.~~

~~(c) Review Standards. An application for a Commercial PUD shall be reviewed under the applicable standards of Section 511.B.1-3.~~

~~(d) Expiration of Approval. An approval for a Commercial PUD shall expire in accordance with terms set forth in the approval.~~

~~(e) Appeals. Any interested person may appeal a decision of the Commission regarding a Commercial PUD in accordance with the procedures set forth in Section 1707.~~

~~1. General Review Standards.~~

~~(a) Physical characteristics of the site and relation to surrounding properties.~~

~~(b) Relationship to major transportation facilities, including mass transit, walkways and bike paths.~~

~~(c) Design characteristics of the proposal and compatibility to adjoining developed land.~~

~~(d) Unique design or land planning characteristics.~~

~~(e) Methods used to provide a transition between adjoining uses and proposed uses including, but not limited to, setbacks, screening, fencing, building design and parking design.~~

~~(f) The preservation of unique natural physical characteristics.~~

~~(g) Building design compatibility with adjoining structures.~~

~~(h) Other criteria, as deemed necessary by the Commission to evaluate the merits of a specific proposal.~~

~~2. Specific Review Standards~~

~~(a) Proposed traffic flow and circulation design.~~

~~(b) Structural design and compatibility with adjoining developed properties.~~

~~(c) Scale and design of proposed structures.~~

~~(d) Location and setbacks of all proposed structures.~~

- ~~(e) — Unique physical characteristics of the proposed use.~~
- ~~(f) — Unique characteristics of the proposed use.~~
- 3. ~~Waivers. The Commission may waive requirements for setbacks, parking and lot coverage, based upon the merits of the specific proposal. Waivers shall be based upon the following criteria and may include specific conditions.~~
 - ~~(a) — Unique physical characteristics of the site proposed for development.~~
 - ~~(b) — Superior building design, lot layout and landscaping design.~~
 - ~~(c) — Provision of public open spaces or superior bicycle and pedestrian access.~~
 - ~~(d) — Joint or combined vehicular access with adjoining properties.~~

L. Special Uses. Uses identified with an “S” on the Use Chart in ~~the use chart in~~ Section 620 of this Code for the TOD District shall only be allowed on the first story.

SECTION 609: RESIDENTIAL-OFFICE (R-O)

H. Special Standards for Office Conversions. Proposed conversions to non-residential uses shall require Conditional Use and Site Plan approval. In addition to Site Plan standards, the Commission shall review the following special standards:

- 1. The proposed use shall not cause significant ~~noise sound~~ or traffic impacts on adjoining properties.

SECTION 611: LIGHT INDUSTRIAL (LI)

F. Building Heights. ~~The height of any structure shall not exceed seventy-two (72) feet. The Commission may waive this requirement upon clear determination that the waiver is necessary for proper function of any permitted industrial use and that it will not adversely impact any surrounding properties.~~ The height of any structure shall not exceed four stories or fifty-eight (58) feet, whichever is less. The Commission may waive this requirement to no more than six stories or seventy-two (72) feet upon clear determination that the waiver is necessary for proper functioning of any permitted industrial use and that it will not adversely impact any surrounding properties.

SECTION 612: PLANNED EXPOSITION (P-E)

A. Purpose. To provide an area for special events and exposition facilities while minimizing adverse traffic, ~~noise sound~~ and visual impacts. It is the intent of this district to encourage innovation in design and to encourage pedestrian, bicycle and bus access to such events.

G. Exposition Center PUD. ~~Pursuant to 24 V.S.A. §4407(12),~~ The Planning Commission may approve a Planned Unit Development for use as an Exposition Center. In connection with such PUD approval, the Planning Commission may authorize the construction of structures and facilities to accommodate any of the uses allowed in the Planned Exposition District. ~~Development activity involving an Exposition Center PUD shall be reviewed under the provisions of this Subsection. For the purposes of this Code, an Exposition Center PUD shall be defined as the development of a parcel of land with multiple buildings, vehicle parking areas and appurtenant facilities for the purpose of conducting indoor and outdoor exhibits, carnivals, fairs, concerts, trade shows and similar events.~~

1. Approval of an application for an Exposition Center PUD requires approval of a Conceptual Plan by the Commission in accordance with the requirements of Section 511.C.
2. If the application involves the construction of new buildings or the alteration of existing buildings or facilities, Site Plan approval is also required; see section 502.F.
3. Submittal Requirements. In addition to the requirements for submittal of a Conceptual Plan specified in Section 511.C, a Conceptual Plan for an Exposition Center PUD shall contain the following:
 - (a) The location and type of all permanent signs.
 - (b) The location of areas proposed for temporary and permanent signs which are visible from any public street.
 - (c) The general location of areas to be used for specific purposes or events, including parking.
 - (d) The general location of permanent fencing, screening and landscaping, including a description of types of plant materials.
 - (e) The general location of areas to be occupied by temporary structures, including distances between buildings and from structures to property lines. Temporary structures are those not staying in one location for more than two consecutive weeks or not served by water, sewer, and electric power connections.
 - (f) The approximate location of any proposed roads, sidewalks or bike paths.
 - (g) A proposed phasing schedule and map.
 - (h) A description of methods used to estimate the impact of the proposed development on public infrastructure.
4. Standards of Review of Exposition Center PUD.
 - (a) Physical characteristics of the site and relation to surrounding properties;
 - (b) Relationship to major transportation facilities, including mass transit, walkways and bike paths;
 - (c) Design characteristics of the proposal and compatibility to adjoining developed land;
 - (d) Unique design or land planning characteristics;
 - (e) Methods used to provide a transition between adjoining uses and proposed uses including, but not limited to, setbacks, screening, fencing, building design and parking design;
 - (f) The preservation of unique natural physical characteristics;
 - (g) Building design compatibility with adjoining structures; and
 - (h) Other criteria, as deemed necessary by the Commission, to evaluate the merits of a specific proposal.
5. Standards for Review of Temporary Activities in an Exposition Center PUD.
 - (a) The size of the event;
 - (b) The location of the event within the Planned Exposition District;
 - (c) Anticipated traffic impacts;
 - (d) Proposed hours of operation; and
 - (e) Conformance with performance standards in Section 718 of this Code.
6. Conditions. The Commission may approve the proposed Exposition Center PUD with conditions designed to meet the standards established in Section 612 of this Code.
7. Classification and Approval of Activities. Plans for specific activities in an Exposition Center PUD shall be classified by the Community Development Department

as permitted activities, temporary activities or major activities, and shall be reviewed in the following manner:

(a) Permitted activities. Permitted activities require no permits, provided that no new or temporary structures are proposed. The applicant shall notify Staff in writing, not less than two (2) days, excluding weekends and holidays, prior to the activity to ensure that additional review is not necessary. The following are permitted activities:

- (i) Agriculture shows or exhibitions and related sales.
- (ii) Educational workshops.
- (iii) Special training, including driver's education, surveying techniques and similar training activities.
- (iv) Reunions.
- (v) Low intensity recreation activities.
- (vi) Offices directly related to the Fairground's activities.
- (vii) Storage facilities for equipment to be used for maintenance of any approved event or as a seasonal use.
- (viii) Horse boarding.

(b) Temporary Activities. Temporary activities require staff review and approval. An application for a Temporary Use Permit shall be submitted in accordance with Section 502.D of this Code. In addition to the Temporary Use Permit standards, Staff shall review a temporary activity under the standards in Section 612.

(i) An application for a temporary activities permit may be submitted for a series of events over a one-year period (an annual permit application) or for individual events. Approval of an annual permit application shall not preclude application for and receipt of any number of single permits for events during the same year.

(ii) Annual permit applications shall be reviewed within twenty-one (21) days of receipt.

(iii) Single permit applications shall be reviewed within forty-eight (48) hours receipt.

(iv) The following shall be deemed temporary activities:

- (aa) Antique shows;
- (bb) Dog shows;
- (cc) Car shows;
- (dd) Craft shows;
- (ee) Group sales (retail associations, car dealerships, clearance sales or similar events);
- (ff) Sales of products associated with another temporary or permitted event;
- (gg) Concerts; and
- (hh) Trade shows.

(c) Major Activities. The Planning Commission shall hold a public meeting in connection with review of a major activity, and may require a public hearing.

(i) Standards of review. The Commission shall review each application for a major activity permit on its individual merits. Special consideration shall be given to mitigation efforts proposed to reduce potential

community impacts. In granting such a permit, the Commission may impose conditions regarding:

- (aa) Time of the events;
 - (bb) Parking and traffic control measures;
 - (cc) Temporary off-site parking of recreational vehicles on public property;
 - (dd) ~~Noise~~ Sound mitigation;
 - (ee) Location of the event within the District; and
 - (ff) Impacts which, in the opinion of the Commission, are reasonable and will mitigate adverse impacts.
- (ii) The following shall be deemed major activities;
- (aa) Any event for which a permit has been denied by Staff;
 - (bb) Events which last more than five (5) days (excluding set-up and take-down);
 - (cc) Any event which exceeds the performance standards specified in Section 718 of this Code.
- (iii) Annual agricultural exhibitions shall be reviewed by staff on an annual basis and are classified as a major use. Staff may approve all activities specified below. The Commission shall review any activity denied by Staff.
- (aa) Normal Activities. Daily shows (other than grandstand shows), education workshops, product demonstrations, agricultural events, food services, booths, carnivals, and any activity within enclosed structures shall be considered as normal activities and shall not be individually reviewed.
 - (bb) Cumulative Effects. The cumulative effects of fair activities shall be reviewed annually with Staff, the Police Department and the applicant. Review is restricted to traffic control, lighting, parking, and ~~noise~~ sound abatement plans. Reasonable efforts shall be made to reduce potential adverse impacts of annual events. In the event that agreement is not reached, the Commission shall consider the outstanding issues at a public meeting on the next Commission agenda.
 - (cc) Special Events. Special events, including, but not limited to, concerts, demolition derbies, tractor pulls and other grandstand events shall be reviewed for compliance with standards for ~~noise~~ sound, dust control, parking and traffic flow. Staff may not grant waivers to any standard included in this Code. If it is expected that sound standards may be exceeded, application shall be made to the Trustees for a waiver in accordance with Section 506 of this Code. Staff may approve any special event which does not exceed standards and may impose reasonable conditions regarding control of traffic, ~~noise~~ sound and dust. In addition, Staff may stipulate hours of operation to ensure conformance with adopted standards.

8. Signs. Signs in the Planned Exposition Center PUD shall be approved by the Commission as part of Conceptual and/or Site Plan review.

- (a) The Commission shall consider the following:

- (i) Compatibility with the Conceptual Plan.
 - (ii) Compatibility with the adjoining property.
 - (iii) Visual design.
 - (iv) Landscaping.
 - (v) Location and size.
- (b) Specific types of signs which may be approved subject to the above, including a single sign with changeable messages to advertise events and signs near the streets to direct pedestrian, bicycle and vehicular traffic to appropriate entrances. The general location and type of Temporary signs shall be reviewed by the Commission.
9. Expiration of Approvals. Approval for an Exposition Center PUD or approvals for any activities to be conducted at such PUD shall expire in accordance with terms set forth in the approval.
10. Appeals:
- (a) Any interested person may appeal a decision of the Planning Commission regarding an Exposition Center PUD or conduct of a major activity at an Exposition Center PUD in accordance with the procedures set forth in Section 1707 below.
 - (b) Any interested person may appeal a decision of the Staff classifying an activity at an Exposition Center PUD to the Planning Commission in accordance with the procedures set forth in Section 1704 below.

SECTION 613: PLANNED AGRICULTURE (P-A)

G. Agriculture PUD. Pursuant to ~~24 V.S.A. §4407(12)~~, The Planning Commission may approve a Planned Unit Development for an Agriculture PUD, and in connection with such PUD approval, approve the structures and facilities to accommodate any of the uses allowed in the Planned Agriculture District.

4. Standards of Review. ~~The Commission shall review the proposed Agriculture PUD in accordance with the standards specified in Section 613 of this Code.~~ Generally, the Commission shall consider the effect of the proposed development on the Community, public infrastructure and adjoining development. Mitigation efforts, including noise sound control, traffic control and landscaping shall be considered.

~~1. Review Standards. The Commission shall consider the following:~~

5. Density Bonuses. The Commission may approve density increases for any Planned Agricultural proposal. Density shall be calculated on an overall project basis and allowable bonus density on developable land that is preserved may be applied elsewhere in a development.

- (a) Standards. The Commission shall consider the standards as specified below:
 - (iii) The proposal includes amenities, including but not limited to, pedestrian and bikeways, passive and active open spaces, energy efficient designs and alternative energy sources including solar renewable energy sources.

Any proposed development under Section ~~610~~ 613.G.2 - Exceptions shall not qualify for density bonuses.

SECTION 614: FLOOD PLAIN (F-P)

B. Base Flood Elevations and Floodway Limits

2. In areas where base flood elevations and floodway limits have not been provided by the National Flood Insurance Program, ~~i.e., Zone A~~ base flood elevation and floodway information available from State or Federal agencies or other sources shall be obtained and reasonably utilized to administer the provisions of these regulations.

SECTION 615: MIXED COMMERCIAL USE DISTRICT

B. Lot Size/Lot Coverage

2. The maximum total lot coverage shall be sixty-five (65) percent; the sixty-five (65) percent lot coverage may be increased up to eighty (80) percent through a waiver process granted by the Planning Commission using the same criteria outlined in Section ~~615601.G.3.~~

F. Building Height. Building heights shall not exceed ~~six (6) stories or seventy-two (72) four (4) or fifty-eight (58)~~ feet, whichever is less.

G. Planned Unit Development. ~~Pursuant to 24 V.S.A. §4407(12),~~ The Planning Commission may approve a Planned Unit Development for use as a Commercial or Multi-Family Residential Development. In connection with such PUD approval, the Planning Commission may authorize the construction of structures and facilities to accommodate any of the uses allowed in the Mixed Commercial District. Any application for proposed development in the Mixed Commercial District may, at the applicant's request, be reviewed as a Planned Unit Development. ~~under the provisions of this Section 604.G.~~ Any application for proposed development in the Mixed Commercial District which contains more than two thousand five hundred (2,500 ~~sq. ft.~~) square feet of commercial space shall be reviewed as a Planned Unit Development or Multi-Family Residential Development unless this requirement is specifically waived by the Commission. Review standards and waiver requirements for a PUD are set forth in Section 511.B.1-3.

~~1. General Review Standards:~~

- ~~(a) Physical characteristics of the site and relation to surrounding properties.~~
- ~~(b) Relationship to major transportation facilities, including mass transit, walkways and bike paths.~~
- ~~(c) Design characteristics of the proposal and compatibility to adjoining developed land.~~
- ~~(d) Unique design or land planning characteristics.~~
- ~~(e) Methods used to provide a transition between adjoining uses and proposed uses including, but not limited to, setbacks, screening, fencing, building design and parking design.~~
- ~~(f) The preservation of unique natural physical characteristics.~~
- ~~(g) Building design compatibility with adjoining structures.~~
- ~~(h) Other criteria, as deemed necessary by the Commission to evaluate the merits of a specific proposal.~~

~~2. Specific Review Standards~~

- ~~(a) Proposed traffic flow and circulation design.~~
- ~~(b) Structural design and compatibility with adjoining developed properties.~~

- ~~(e) — Scale and design of proposed structures.~~
- ~~(d) — Location and setbacks of all proposed structures.~~
- ~~(e) — Unique physical characteristics of the proposed use.~~
- ~~(f) — Unique characteristics of the proposed use.~~
- ~~3. — Waivers. The Commission may waive requirements for setbacks, parking and lot coverage, based upon the merits of the specific proposal. Waivers shall be based upon the following criteria and may include specific conditions.~~
 - ~~(a) — Unique physical characteristics of the site proposed for development.~~
 - ~~(b) — Superior building design, lot layout and landscaping design.~~
 - ~~(c) — Provision of public open spaces or superior bicycle and pedestrian access.~~
 - ~~(d) — Joint or combined vehicular access with adjoining properties.~~

SECTION 617: NORTH LINCOLN STREET OVERLAY DISTRICT NLSO

- B. Permitted Uses. Uses allowed in the ~~NLOD~~ NLSO shall be those uses identified in Section 620 Use Chart, including all uses identified in both the ~~NLOD~~ NLSO and the underlying zoning district.
- C. Dimensional Standards. Development within the ~~NLOD~~ NLSO shall meet the dimensional requirements of the underlying zoning district including setbacks, lot coverage and building height.
- D. Density. The allowable residential density in the ~~NLOD~~ NLSO shall be established by the underlying zoning district.

SECTION 620: USE CHART

- A. District Abbreviations. For the purposes of this Code, and for the chart presented in this Section, the zoning districts shall have the following abbreviations:
 - 14. Flood Plain District (FP). ~~For information on uses, see Section 611 Flood Plain District.~~
 - 16. Professional Office Overlay District ~~For information on uses, see Section 502 .G Professional Office Overlay District~~

CHAPTER 7: GENERAL DEVELOPMENT STANDARDS

SECTION 703: PARKING AND LOADING

- B. Loading Requirements. All uses shall provide off-street loading spaces except residential uses, ~~financial institutions, offices,~~ or other uses specifically waived by the Commission in accordance with Subsection 7 below.
 - 3. Surfaces. All loading areas shall be hard-surfaced and clearly marked with painting to designate the loading area. This requirement may be waived by Staff or the Planning Commission ~~based upon projected traffic counts.~~
- C. Off-Street Parking Requirements.
 - 1. All required parking spaces, ~~with the exception of parallel parking spaces,~~ shall

have a minimum width of nine (9) feet and a minimum length of eighteen (18) feet. Parallel parking spaces shall have a minimum width of eight (8) feet and minimum length of twenty-two (22) feet.

D. Drive-through Facilities.

2. Stacking requirements. A minimum of six (6) vehicles ~~shall~~ ~~should~~ be accommodated in each stacking lane.

I. Vehicles For Sale. Any vehicle advertised for sale within any District and not in an approved car lot shall obtain a Temporary Use Permit except as specified below and shall meet the following standards:

3. No vehicle for sale may be parked in any public Right-of-way in any district for more than twenty-four hours. ~~except the sale of one personal vehicle by the owner of the vehicle.~~

K. Other Parking Standards and Applicability

1. The Commission may waive the ~~required number of off-street spaces on-site parking requirements~~ for a proposed development only if sufficient alternative parking is available or if a waiver is granted in accordance with Section 703.K.15.

10. Pedestrian access. The design of all parking lots shall incorporate measures to minimize safety hazards to pedestrians. Pedestrian paths shall be designated and clearly marked. Separation of vehicle and pedestrian traffic shall be included in all parking lot plans where possible. The Commission may waive this requirement due to unique characteristics of the lot ~~such as small lots, underground parking~~ or innovative alternative designs.

12. Striping. Hard surfaced parking spaces shall be clearly striped and maintained and shall meet standard parking dimensional requirements as specified in Section 703. ~~or as specifically approved by the Commission.~~

15. Joint Parking Facilities. Joint parking arrangements may be approved by the Commission, provided that the applicant has submitted legal documentation to guarantee continued long-term availability of said parking. Within any shopping center or other areas where joint parking has been established, the Commission may not approve any ~~site plan and~~ site plan amendments or other use changes which would increase parking needs, or any waivers of parking requirements, until the applicant has submitted proof of notice to all tenants or shared parking participants of the proposed change.

16. Waivers. The Commission may waive some or all parking requirements and may place conditions on a waiver as necessary to guarantee adequate parking. The Commission may require any change in use on any property where a waiver has been granted to be reviewed for parking impacts, and the change shall be prohibited if it is deemed to generate a parking deficiency. The Commission shall determine that one or more of the following standards are met at a specific location prior to granting a waiver:

(a) The proposed uses have staggered business hours with minimal overlap in business hours ~~which allow for shared use of parking spaces.~~

SECTION 704: LIGHTING

B. General Standards. Lighting is allowed in required yards and shall be subject to the following regulations:

3. All light fixtures shall be hooded or shielded and directed downward at sixty (60) degrees to horizontal, unless otherwise approved, and shall have concealed light sources.
7. All private residential exterior light sources shall be Dark Sky Compliant.

C. Review of Lighting Plans

4. For all parking areas, drives, and walkways an analysis and illuminance level diagram showing a numerical grid of lighting levels, in foot candles, and a table of lighting statistics verifying that the proposed installation conforms to the lighting standards in this section, ~~a waiver for unusual circumstances~~; and building elevations with fixtures, portions of wall to be illuminated.

D. Parking Lot Illumination

5. Energy saving ~~metal halide or mercury vapor~~ LED lamps with a correlated color temperature not exceeding four thousand three hundred (4,300) Kelvin (K) shall be used. ~~except that high pressure sodium may be used in the Light Industrial District and Planned Commercial developments.~~ Special alternatives may be approved by the Commission upon determination that the purposes of this Section are achieved.

9. Lighting shall conform to the Chittenden County Regional Planning Commission "Outdoor Lighting Manual for Vermont Municipalities" or as otherwise approved by the Village Engineer. The minimum lighting level shall be at least two tenths (0.2) foot candles, but not exceed four tenths (0.4) foot candles and the uniformity ratio (~~minimum~~ average to minimum ~~maximum~~) shall be ~~20~~ 10:1, unless otherwise approved by the Village Engineer.

E. Illumination of Building Facades and Landscaping:

2. When allowed lighting fixtures shall be located and shielded so the light is directed only on to the building facade. Lighting fixtures shall not be directed towards adjacent streets or ~~roads-properties~~.

~~3. To the extent practicable, lighting fixtures shall be directed downward.~~

F. Roadway Lighting:

1. New or replacement light fixtures on arterial and non-residential collector streets, shall be of cut-off cobra type fixtures with ~~metal halide-LED~~ bulbs with a correlated color temperature not exceeding four thousand three hundred (4300) Kelvin, mounted no more than forty (40) feet above grade. Specific alternatives may be approved by the Commission upon determination that the purposes of this Section will be achieved.

2. On other existing Village streets, new or replacement light fixtures, shall match existing styles unless alternatives are approved by the Commission. Fixtures shall have concealed ~~metal halide or mercury vapor~~ LED bulbs with a correlated color temperature not exceeding four thousand three hundred (4300) Kelvin and the height shall match that of existing street lights in the area.

3. On new residential streets, street lights shall use "shoe box" style fixtures on black or bronze anodized poles up to thirty (30) feet in height with ~~metal halide~~ LED bulbs with a correlated color temperature not exceeding four thousand three hundred (4300) Kelvin, unless alternatives are approved by the Commission.

3. The spacing of street lighting fixtures shall be as required by Section 912 of this Code.

4. The selection and location of roadway and street lights shall achieve the recommended illuminance per the American National Standards Institute (ANSI)/Illuminating Engineering Society of North America (IESNA) RP-8, American National Standard Practice for Roadway Lighting. The standards summarized in the table below shall be utilized unless otherwise approved by the Village Engineer.

Street Type	Average Illuminance	Average to Minimum	Maximum Mounting Height, ft
Major	0.9	3	30
Collector	0.6	4	30
Residential	0.4	6	25
Pedestrian Areas	0.4	4	to match street

New and replacement fixtures shall be fully cutoff, fully shielded fixtures to minimize glare and light trespass.

New and replacement fixtures shall be light emitting diodes (LEDs) with a maximum correlated color temperature of 4300K.

SECTION 705: CURB CUT AND ACCESS TO PUBLIC STREETS

C. Commercial and Industrial. All commercial and industrial development shall be designed to meet the following minimum standards.

1. One traffic lane – Twelve (12) to fifteen (15) foot curb-cut
2. Two traffic lanes – Twenty four (24) to thirty (30) foot curb-cut
3. Three traffic lanes – Thirty (30) to forty five (45) foot curb-cut

The Commission shall review proposed curb cuts and the closure or relocation of existing curb-cuts based upon anticipated traffic, turning movements and need to accommodate buses and trucks. The applicant must provide information supporting a request for more than one ~~ten~~ **twelve (12)** foot wide entry and one twelve (12) foot wide exit.

D. General Standards

1. No more than one curb cut is allowed for each seventy-five (75) linear feet of frontage. Lots containing one (1) or two (2) family dwellings shall have only one (1) curb cut unless a second is specifically approved by the Commission upon determination that special ~~exceptions~~ conditions justify the exception.

E. Alterations Within Public Right-of-way.

The Trustees shall have authority to approve a change within the Public Right-of-way which is not specifically delegated to the Staff by Section 705.B and to the Commission in Section 705.C. Closure or relocation of an existing curb cut (with the exception of the closure or relocation of an existing curb-cut as stipulated by the Planning Commission through Site Plan Review) shall require a Public Meeting by the Trustees. Closure or relocation review may be by written request or may be initiated by the Trustees. The Trustees shall notify by mail all property

owners abutting the ~~proposed site proposal~~ and all property owners with a legal interest in the curb cut.

SECTION 706: ACCESSORY USES AND STRUCTURES

C. Set-back Exceptions

2. Utilities. Public utilities and infrastructure may be located within any setback, provided that above ground structures are not located within any required Visibility Triangle. Above-ground utility structures shall be screened with vegetation when said screening does not interfere with the functional characteristics of the structure. To the extent possible above ground structures shall be designed and painted to match the characteristics of adjacent development. ~~To the extent possible, utilities shall be underground.~~ **New and redevelopment projects shall install utilities underground.**

4. Heating, ventilation and air conditioning equipment. Equipment for heating, ventilation or air conditioning which encroaches into a setback by not more than twelve (12) inches shall not be deemed to violate this Code. Equipment placed upon the roof of any commercial or residential structure shall not be deemed a violation of this Code if:

(c) It generates no additional **noise sound** discernable at the adjoining property line.

7. **Handicapped Accessible** ramps constructed to **provide handicapped** accommodate disabilities **access** are exempt from setback provisions provided that no reasonable alternative is available and the encroachment is the minimum necessary to provide access. Covered or enclosed ramps shall meet all setback requirements.

D. Satellite Dish Antenna. No satellite dish or other antenna may be erected or placed within any District except in compliance with this Section and with Conditional Use approval.

4. All antenna dishes shall be permanently ground-mounted unless specifically approved otherwise by the **Zoning Board of Adjustment**.

J. Dumpsters or Other Trash Containers:

No dumpster or trash container shall be located or used in any District except in conformance with these standards or approval of a Site Plan.

1. All dumpsters or trash containers located within any District shall be screened from view **from the public right-of-way** by a nontransparent fence and/or landscaping materials to a height of six (6) feet.

K. Tennis, Basketball or Volleyball Court. These facilities, or similar private recreation facilities, **such as outdoor skating rink facilities**, may be located in rear or side yard setbacks within five (5) feet of any property line; provided, however, they may not be located in any drainage or utility easement.

SECTION 707: FENCES

C. Exceptions.

1. Property located in a Planned Agriculture District may use barbed wire for fencing purposes, provided that said fencing is utilized strictly for agricultural purposes. Properties in the Light Industrial District may also use barbed wire fencing. However

conditions may be imposed upon approval to provide ~~minimize~~ **minimal** impacts on neighboring properties.

SECTION 709: PRIVATE STREETS

A. Standards. The Commission may approve a Private Street only as a part of a Planned Development application. The following conditions shall apply to any Private Street:

6. The following streets must be provided as Public Streets and dedicated to the ~~town~~ **Village**, unless waived by the Planning Commission upon determination the waiver would be consistent with the provisions of Section 917 of the Land Development Code:

SECTION 711: HOME OCCUPATIONS. Nothing in this Code shall infringe upon the right of any resident to use a minor portion of a dwelling for an occupation which is customary in residential areas and which does not change the character thereof.

A. Purpose:

1. To protect residential areas from potential adverse impact of excessive traffic, nuisance, ~~noise~~ **sound** and other effects of occupational activities within residential neighborhoods.

B. Review Criteria. All Home Occupations shall meet the following review criteria and standards:

3. The area utilized for the Home Occupation shall not exceed twenty (20) percent of the floor area of the residence, including ~~attached~~ garages.
8. No activity shall be conducted on the premises which would interfere with radio or television transmission, nor shall there be any offensive ~~noise~~ **sound**, smoke, dust or heat noticeable at the property line.

SECTION 712: OPEN SPACE REGULATIONS

Except as specified in this Code, no building, structure or vehicles shall encroach upon any required setback or designated Open Space area. All required setbacks shall be maintained ~~in~~ **grass in vegetative cover** and shall not be covered with any impermeable surface materials except in Commercial Districts where the Commission may approve specific alternatives.

SECTION 714: SIGN STANDARDS

E. Number of Wall Signs

1. In Commercial and Industrial Districts, the overall number of wall signs shall not be restricted as long as the total square footage of all wall signs does not exceed the size limitation as listed in Section 714.D.~~23~~.
2. In lieu of a freestanding sign an additional twenty (20) square feet of wall signage shall be allowed. However, in no case may a single wall sign exceed the size limitations in Section 714.D.~~23~~.

G. Window Signs

3. Village Center District – Businesses in the Village Center District shall be allowed one (1) internally lit or neon window sign. All internally lit or neon window

signs shall not to exceed three (3) square feet and shall require approval of a sign permit. Businesses on a corner lot shall be allowed to have two (2) internally lit or neon window signs, one (1) facing each street frontage. A business that has over one hundred and fifty (150) feet of street frontage shall be allowed two (2) internally lit or neon window signs subject to the size restrictions. All other internally lit permanent, temporary or window signage is expressly prohibited in the Village Center District unless otherwise provided in this ~~article~~ Chapter.

I. Freestanding Signs

5. Businesses with Drive-Through Facilities may have one (1) menu board sign in addition to one (1) free-standing sign. A menu board sign shall not exceed forty-eight (48) square feet and shall be screened from ~~view~~ the public right-of-way.

J. Number of Freestanding Signs

2. If a development is located on a lot that is bordered by two (2) Public Streets that do not intersect at the lot's boundaries (Double Frontage Lot) then the development may ~~have~~ not have more than one (1) freestanding sign on each side of the development bordered by such streets.

L. Location and Height Requirements

Unless otherwise allowed in this Chapter, the following shall be required for all free-standing signs and permanent signs.

1. Front Yard Setbacks. Signs must meet the following minimum front yard setbacks:

(a) In all ~~Commercial, Residential/Office, Industrial, Exposition and Neighborhood Commercial Districts~~ districts, signs shall be set back no less than ten (10) feet from the property line.

~~(b) — In all other districts, signs shall be set back no less than ten (10) feet from the property line.~~

M. Sign Illumination and Signs Containing Lights.

Unless otherwise prohibited, signs may be illuminated as specified below:

1. Unless specifically provided for elsewhere in the code, internally illuminated signs are prohibited in Flood Plain, Residential/Office ~~and Neighborhood Commercial Districts~~ and Village Center District. Internally lit signs in the Village Center District may be allowed with approval of the Planning Commission upon determination that the internally lit sign meets the intent of Section 502.~~K~~H.1.

9. String lights may be used in connection with commercial premises except as specifically ~~prohibited within this Section. provided herein.~~

N. Milcellaneous Restriction and Prohibitions.

1. Signs located off the lot of the business, except those specified in ~~SECTION~~ Section 714: ~~SIGN STANDARDS~~, are prohibited

Q. Exemptions. The provisions and regulations of this Ordinance shall not apply to the following signs. However, said signs shall be subject to the provisions of Section 502.H:

1. One or two-sided free-standing signs for municipal departments which are used to provide public information, and are deemed to meet the intent of Section 502.H.1. Such signs must be approved by the Planning Commission and Board of Trustees, may not exceed thirty (30) square feet per side, must be at least fifteen (15) feet from the pavement of any public Right-of-way, must not be located within any Right-of-way, and may not exceed ten (10) feet in height. Such signs may include an Electronic Message Board not exceeding ten (10) square feet on each side of the sign, which may only be used between the hours of 7:00 A.M. and midnight. Information may be displayed on the message board on an intermittent basis, provided each display is at least five (5) minutes in duration. Each department shall be limited to one (1) sign.

SECTION 715: TELECOMMUNICATIONS

B. Criteria For Approval And Conditions. An application for a Wireless Telecommunication Facility permit shall be approved after a hearing when the Planning Commission finds all the following criteria have been met:

4. The Facility will not be illuminated by artificial means and will not display any lights or signs except for such lights and signs as required by Federal Aviation Administration, federal or state law, or this ~~bylaw~~ Code.
14. The Facility will not generate undue ~~noise~~ sound.

D. Removal of Abandoned or Unused Facilities. Unless otherwise approved by the Planning Commission, an abandoned or unused Wireless Telecommunication Facility shall be removed within ninety (90) days of abandonment or cessation of use. If the Facility is not removed within ninety (90) days of abandonment or cessation of use, the Planning Commission may cause the Facility to be removed. The costs of removal shall be assessed against the Facility owner. Unused portions of a Wireless Telecommunication Facility shall be removed within one hundred and eighty (180) days of the time that such portion is no longer used. Replacement of portions of a Facility previously removed shall require a new permit, pursuant to Section 502.N.5-6 ~~Section V.~~

SECTION 717: DAY CARE AND FAMILY CARE FACILITIES

A. Purpose. To allow for the provision of ~~child and/or adult day care facilities~~ Day Care and Family Care Facilities within all Districts and to provide criteria for the review of such facilities.

C. Day Care Facility Standards:

3. A fenced outdoor play area shall not be required if a child care center exclusively provides preschool instruction for not more than three (3) hours per ~~shift~~ day, and children are not permitted to play outside.

D. Standards of Review. The Zoning Board shall review all applications for Family and Day Care Facilities as Conditional Use Permits. In addition, review shall include the following:

7. Existing or potential levels of air and ~~noise~~ sound pollution in the area.

SECTION 719: LANDSCAPE AND TREE PLANTING REQUIREMENTS

D. Landscaping.

There shall be a sufficient amount of landscaping and screening, as may be reasonably

determined by the Planning Commission, to insure protection of and enhance the quality of the project in question and adjacent properties. The landscape plan must be drawn by a landscape architect, landscape designer, or competent landscape professional, and the landscaping requirement will be a minimum of three (3) percent of the total construction cost for new construction up to \$250,000. For new construction projects above \$250,000, the landscape requirement shall be a minimum of two (2) percent of the total construction cost. In the case of construction projects above \$1,000,000, a landscape architect, licensed by the State of Vermont's Office of Professional Regulation, will be required to prepare a landscape plan. This may be waived in unusual circumstances. The Commission may permit or require improvements to the public Right-of-way in part or in lieu of on-site landscaping to be used to improve the pedestrian environment including street trees, plantings, stormwater retention and pedestrian amenities. With a new use on existing development or renovation on existing property, the applicant must provide landscaping adequate to provide screening and environmental enhancement to the satisfaction of the Planning Commission.

1. Landscape Plan:

(a) Preliminary Site Plan

(i) A general concept of the landscaping, in both written and graphic form.

(ii) A list of existing vegetation, with the location, type, and size of existing trees of six (6) inches or greater in caliper.

(iii) A written plan to preserve and protect significant existing vegetation during and after construction. Such plan will be sufficient detail that the Village of Essex Junction will be able to inspect the site during construction to ensure that the existing vegetation is protected as per plan.

(iv) The location of existing natural features, such as streams, wetlands, and rock outcroppings.

(b) Final Landscape Plan

(i) All proposed physical improvements, such as buildings, walls, parking areas sidewalks, etc.

(ii) Proposed landscaping materials, including vegetation to remain, types of new plant materials, identified by common name and botanical name, sizes of all new plant materials by height and/or diameter at time of planting and at maturity, quantities of each of the planting materials, and treatment of the ground surface (paving, seeding, or groundcover).

(iii) Methods of controlling erosion and protecting landscaped areas.

(iv) A landscape phasing plan. Construction phasing shall be shown on the landscape plan with landscape and construction activities correlated.

2. Landscaping Requirements:

(a) ~~A minimum of fifty percent (50%) of the required landscaping shall be located within twenty (20) feet of the parking lot.~~ All required landscaping shall comply with the intent and purpose of these regulations.

4. General Requirements

(a) Installation: All landscaping shall follow accepted horticultural practices.

(b) Maintenance: ~~The owner of the building or agent shall be responsible for the~~

~~maintenance of all landscape areas. Landscaped areas shall be maintained in a healthy, neat, and orderly appearance at all times. All dead plant materials shall be replaced. All planting shown on an approved site plan shall be maintained by the property owner in a vigorous growing condition throughout the duration of the use. Plants not so maintained shall be replaced with new plants at the beginning of the next growing season. Trees with a caliper of less than five (5) inches may be replaced on an inch-by-inch basis with trees of at least two and a half (2.5) inches caliper preferably of the same genus.~~

~~(c) Failure to maintain: If landscaping or plant materials installed as a condition of Site Plan approval die, they shall be replaced according to the approved landscape plan.~~ Failure to replace materials per approved plans shall be a violation of this Code.

45. Design Standards:

(d) When planters are used in parking lot interiors, a surface area should be made available for aeration and water infiltration of at least twenty-five (25) square feet per tree. Islands may be graded and planted to serve as collection and treatment areas for stormwater management. It is recommended that sections of curb cut be no more than five (5) feet in length.

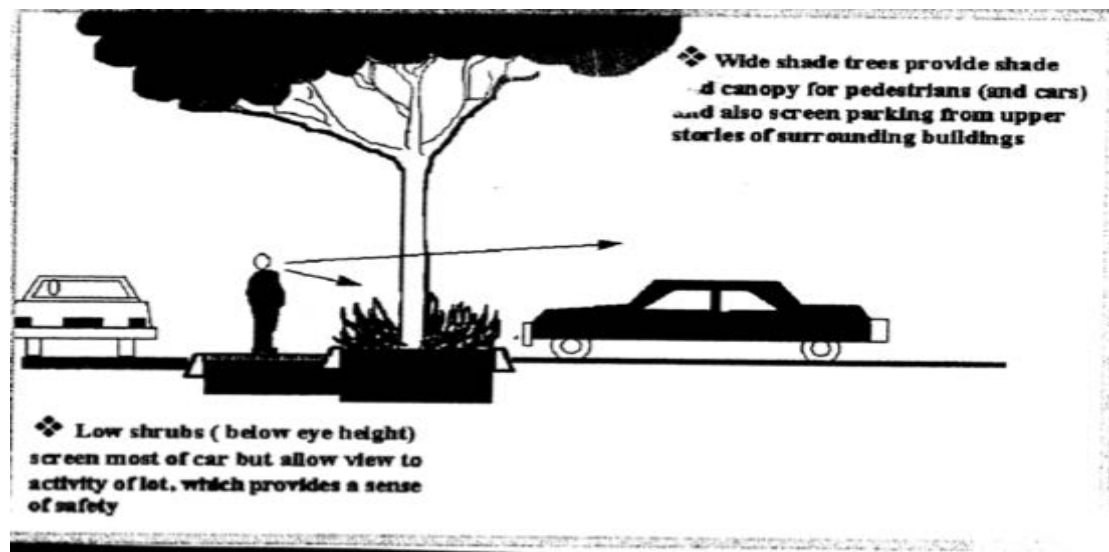
(k) ~~Grass~~ Vegetative areas should be planted with species normally found in the area.

6. The Planning Commission shall require compliance with any Tree Ordinance or Landscape Design Standards enacted by the Village of Essex Junction, subsequent to the effective date of these regulations.

7. Applications utilizing municipally owned land must be reviewed by the Village of Essex Junction Tree Advisory Committee. The Planning Commission, at their discretion, may ask the Tree Advisory Committee and or the Village of Essex Junction Tree Warden to comment on any landscape plan with regard to tree species selection and location.

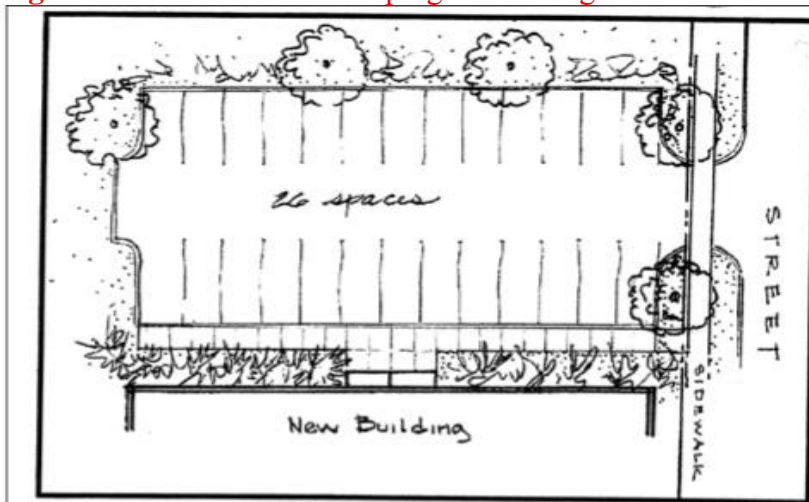
8. Example Schematics:

Figure 8.1 Parking Area Landscaping/Screening



From Landscape Guide for Vermont Roadways & Transportation Facilities

Figure 8.2 Perimeter Landscaping for Parking Areas

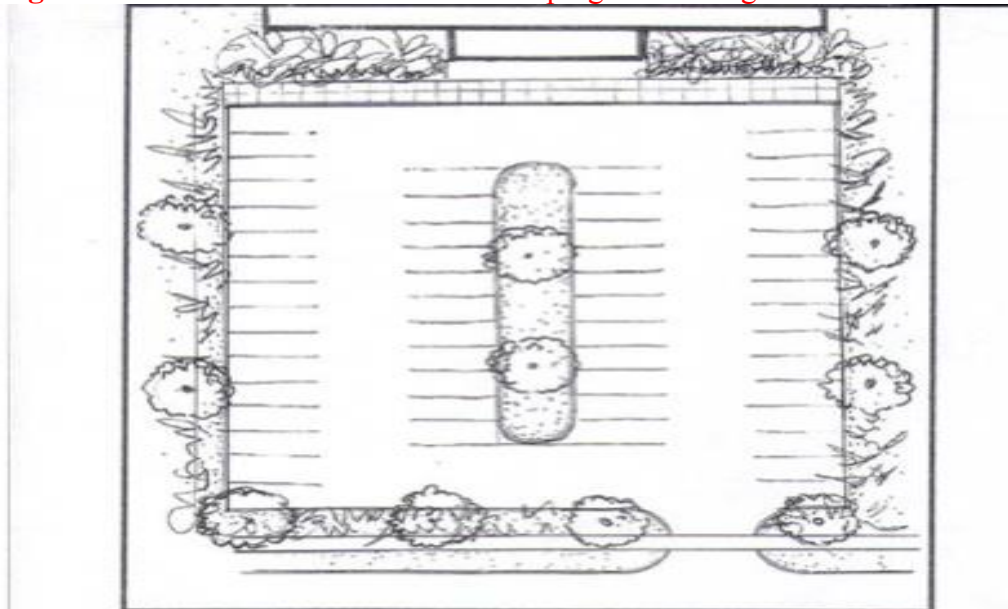


Example

Twenty six (26) space parking lot
 7120 square feet of pavement
 No internal island required
5 tree minimum (26 spaces/5)

Illustration by Kathleen Ryan, ASLA

Figure 8.3 Internal and Perimeter Landscaping for Parking Areas



Example

Fifty four (54) space parking lot
 17650 square feet of pavement
 1,765 square feet of curbed island required
10 tree minimum – (54 spaces/5)

Illustration by Kathleen Ryan, ASLA

E. Approved Plant Materials. An emphasis shall be placed on selecting ~~plant material~~ species shall be native species to Vermont and the Champlain Valley. Trees and plantings that are close to driveways, sidewalks and roads shall be salt tolerant. Generally, plants shall be from

the most current tree species list recommended by the Vermont Urban Community and Forestry Program and those listed in the Village Land Development Code. ~~following suggested species list unless waived by the Planning Commission based on the appropriateness of the species for the particular application, but still accordance with intent of this section to require the use of native species.~~ The Planning Commission may refer to any or all of the following publications as resources:

1. Recommended Tree Species for Vermont Communities: A guide to Selecting and Purchasing Street, Park, and Landscape Trees, published by Urban and Community Forestry Program.
2. Planting Sustainable Landscapes- A Guide for Plan Reviewers, prepared by Department of Forests and Parks and the Vermont Chapter of the American Society of Landscape Architects- Section-111.
3. Street Tree Fact Sheets- Published by the Municipal Tree Restoration Program with support from the USDA Forest Service, Northeastern Area State and Private Forestry.

List of Suggested Example Species:

Medium and Large Deciduous Trees

~~White Ash (Fraxinus americana)~~

~~Green Ash (Fraxinus pennsylvanica)~~

F. Minimum Planting Specifications. All plantings are required to be healthy nursery-grown stock and maintained. ~~with bark mulch)~~

SECTION 721: ACCESSORY APARTMENTS

A. Purpose. To allow the provision of small apartments within existing single family dwellings to improve the ability of households to provide housing. ~~for family members.~~

~~SECTION 722: CONVERSION OF PUBLIC SCHOOLS.~~

~~Existing public school facilities may be converted to elderly housing with Site Plan approval. Emphasis shall be placed upon maintaining existing open space and recreation facilities. No more than ten (10) percent of the gross floor area of each existing school building may be converted to school offices or administrative facilities without Site Plan review and approval. Other public uses may be considered upon application for a Conditional Use Permit and Site Plan. In addition to the standards above, other public uses shall meet the following criteria:~~

~~A.—— All proposals must preserve existing open space and recreational facilities.~~

~~B.—— The proposed use shall not generate neighborhood traffic in excess of the traffic volume generated by the existing school.~~

~~C.—— The proposed use shall serve a local, state or Federal governmental agency.~~

~~D.—— The proposed use shall conform to the Zoning District within which the school is located.~~

SECTION 7234: ~~PLANNED RESIDENTIAL DEVELOPMENT (PRD) and PLANNED UNIT DEVELOPMENT (PUD)~~

Planned Residential Development changed to Planned Unit Development throughout section.

B. Design Considerations. The Commission shall review an application for innovative land and building design techniques. The Commission may determine that the design is not innovative and that standard District requirements shall apply. The Commission may authorize the following modifications to requirements of the underlying Zoning District.

5. Amenities and Quality of Design. To be granted the flexibility permitted under these regulations, the ~~PRD or~~ PUD must demonstrate a level of design and amenity exceeding that typical of conventional development. Features that exhibit a strong level of design include, but are not limited to:

- (a) Amount and quality of landscaping;
- (b) Amount, quality, and interconnectedness of common space; and
- (c) Varied building massing or other measure to reduce monotony in design.

At a minimum, up to fifteen (15) percent of the gross PRD or PUD area shall be developed with passive and active amenities. Examples of amenities include ~~common recreation facility such as~~ but are not limited to:

1. Jogging/exercise track;
2. Off-street bicycle paths;
3. Playgrounds;
4. Tennis court;
5. Athletic fields;
6. **Wooded areas; and**
7. **Open fields that may be in active agricultural production.**

The type of amenities required will vary with each individual project. For example, projects designed for seniors, **ages fifty five (55) and above, (55-plus)** will have different types of amenities than a project designed for young families.

SECTION 7254: RAISING, KEEPING, OR HARBORING LIVESTOCK

The raising, keeping, or harboring of livestock, wild animals or other domesticated farm animals for personal use or commercial purposes shall be prohibited in all Zoning Districts, except for the PA and PE Districts. The raising, keeping or harboring of livestock, wild animals or other domesticated farm animals shall require a minimum lot size of ten acres. **Refer to the Municipal Code for exceptions.**

CHAPTER 8: NONCONFORMITIES

SECTION 801: NON-CONFORMING USES. Any use of land or buildings legally existing on the effective date of this Code which has become non-conforming as a result of this Code shall be considered as a Non-Conforming Use and may be maintained subject to the provision of this Section.

B. Change of Use. A non-conforming use may be changed to a Permitted Use or Conditional Use for the district in which it is located. A non-conforming use ~~shall not~~ **may not** be changed to another non-conforming ~~use unless the change is~~ use. ~~specifically approved as a~~

~~Conditional Use.~~

SECTION 802: NON-COMPLYING STRUCTURES. Any structure, existing on the effective date of this Code, which does not conform to the dimensional requirements of this Code shall be considered as a non-complying structure. Such structure may continue to be occupied, subject to the following:

C. Reconstruction.

2. Non-conforming structures on properties with one single family dwelling may be rebuilt as long as the new structure is not more non-conforming than the existing structure. However, if staff determines the structure could reasonably be rebuilt in conformance with the existing regulations the applicant will be required to comply with the existing regulations. Appeal of staff decisions may be made in accordance with Section 1701. ~~Also, any non-complying structure may be declared conforming with conditional use approval in accordance with Section 803.~~

~~**SECTION 803: TERMINATION OF NON-CONFORMING OR NON-COMPLYING STATUS**~~

~~The provisions of Sections 801 and 802 regarding the continuation, restoration, reconstruction, expansion or extension of non-conforming uses or non-complying structures notwithstanding, a non-conforming use or non-complying structure may be formally declared to be conforming or complying upon Conditional Use approval.~~

SECTION 8045: NON-CONFORMING SIGNS

1. Subject to the remaining restrictions of this Section, non-conforming signs that were otherwise lawful on the effective date of this ~~article~~ Code may be continued until they are required to be removed under Section 714 of this Code.

SECTION 8056: REMOVAL OF NON-CONFORMING SIGNS

3. If the message portion of a sign is removed, leaving only the supporting "shell" of a sign (or the supporting braces, anchors, or similar components) the owner of record shall, within thirty (30) days of the removal of the message portion of the sign, either replace the entire message portion of the sign or remove the remaining components of the sign. This subsection shall not be construed to alter the effect of Section 8056.1, above which restricts the replacement of a nonconforming sign. Nor shall this subsection be construed to prevent the changing of the message of a sign.

CHAPTER 9: SUBDIVISIONS

SECTION 906: STREETS

B. Arrangement

3. Street design shall include measures to discourage through traffic in Residential Districts.
4. Street design shall include measures to encourage improved connectivity in the Village Center District and strike an appropriate balance between all modes of transit.
5. Access for emergency vehicles shall be considered in the layout of any street.

D. Dead-end Streets.

Waiver. The commission may waive the requirement that a Dead-end Street be temporary if, in the opinion of the Planning Commission, all of the following standards are met:

3. The street connection is not required to provide a secondary access point to the proposed Subdivision, future development on adjacent parcels, or for the properties now served by the Dead-end Street, in accordance with 9053.F.3.

SECTION 912: STREET LIGHTS. Streetlights shall be located at each intersection and at approximately ~~four hundred (400)~~ ~~one hundred fifty (150)~~ foot intervals between intersections. Streetlights shall be located at the corner to provide light at the intersection, where possible.

CHAPTER 14: WATER SYSTEM MANAGEMENT AND USE

SECTION 1416: WATER SUPPLY

C. Private Water Lines. Private water lines may be approved and connections to existing private water lines may be approved, if the following conditions are met:

1. A private water line shall serve no more than three (3) separate users. ~~A homeowners association can be considered one user if proper documentation is submitted and approved by the Village for the maintenance of the private water line.~~

CHAPTER 17: APPEALS

SECTION 1704: APPEALS OF STAFF DECISIONS TO THE ~~PLANNING COMMISSION ZONING BOARD OF ADJUSTMENT~~

B. Notice of Appeal. Any interested person who believes that Staff has committed an error in making a decision or taking an action may appeal such act or decision to the ~~Planning Commission-Zoning Board of Adjustment~~ by filing a written Notice of Appeal with the ~~clerk of the Commission Village Clerk~~ within fifteen (15) calendar days of the subject action or decision. The Notice of Appeal must identify the decision or action appealed and state why such decision or action is erroneous.

C. Action by the ~~Planning Commission Board~~. The ~~Commission Board~~ shall conduct a duly warned public hearing at which it will take testimony and receive evidence from the applicant, interested parties and Staff. The ~~Commission Board~~ shall consider all relevant evidence before it. It shall issue its decision in writing with findings of fact and conclusions within forty-five (45) days of the final public hearing. Failure to act within this time shall result in granting the appeal.

SECTION 1708: ON THE RECORD REVIEW

As provided for in 24 V.S.A. § 4471 (b) the use of on the record review procedures will be followed for all development applications that require review by the Planning Commission or Zoning Board of Adjustment. The procedures outlined in the Municipal Administrative

Procedure Act (MAPA) shall govern all Planning Commission and Zoning Board of Adjustment application reviews. Evidence provided and recorded at public meetings and hearings shall follow the Vermont Rules ~~for~~ of Evidence as outlined in 24 V.S.A. § 1206 (b).

APPENDIX A: PUBLIC WORKS SPECIFICATIONS

SECTION 102: STREET SPECIFICATIONS

C. Preparation of Subgrade. Objectionable and unsuitable materials shall be removed and replaced with approved material as directed by the Village Engineer. Subgrade shall meet the lines and grades shown on the drawings.

1. Sand shall be deposited and spread so as to distribute the material in uniform layers, compacted ~~at optimum moisture content~~ to a density of ninety five (95) percent of the maximum dry density using the Standard Proctor Test, according to ASTM D698.

SECTION 103: GRAVEL BASE - BOTTOM COURSE

G. Materials. All materials shall be secured from approved sources. Such gravel shall consist of hard, durable stones, which show uniform resistance to abrasion and which are intermixed with sand or other approved binding material as directed by the Engineer.

All bottom course material shall be deposited and spread so as to distribute the material in uniform layers, compacted ~~at optimum moisture content~~ to a density of ninety five (95) percent of the maximum dry density using the Standard Proctor Test, according to ASTM D698.

SECTION 104: CRUSHER RUN - TOP COURSE

A. Description. This item shall consist of an upper course of crusher run gravel to be placed over the gravel base - bottom course, ~~of bank run gravel,~~ which will have been prepared in accordance with these specifications.

B. Materials. All materials shall be secured from approved sources. This gravel shall consist of angular and round fragments of hard durable rock of uniform quality throughout, reasonably free from thin, elongated pieces, soft or disintegrated stone, dirt or other objectionable matter. The grading requirements shall conform to the following table:

Sieve Designation	Percentage by Weight Passing Square Mesh Sieve
2"	100
1 ½ "	90-100
No. 4	30-60
No. 100	0-12
No. 200	0-6

This upper course of crusher run gravel shall be deposited and spread in a uniform layer, and compacted ~~at optimum moisture content~~ to a density of 95% of the maximum dry density using the Standard Proctor Test, according to ASTM D698.

SECTION 105: BITUMINOUS CONCRETE PAVEMENT

C. Construction Methods. Equipment for spreading and finishing the mixture shall be a mechanical spreading and finishing machine provided with an activated screed and heated if required. The machine shall be capable of spreading the mixture without segregation and shall be approved by the Village Engineer before being used.

Application of bituminous concrete pavement shall conform in all respects to Vermont Standard Specifications Section 406. These requirements shall include but not be limited to the following:

~~6. — and shall be approved by the Village Engineer. After placement, the material shall be thoroughly compacted with rollers or other equipment approved by the Village Engineer.~~

SECTION 106: CEMENT CONCRETE CURB

C. Materials. All concrete used in the construction of roadway curbs shall be Air Entrained five percent plus or minus one percent ($5.0\% \pm 1\%$) so determined by an air meter approved by the Village Engineer. This concrete shall have a twenty eight (28) day compressive strength of four thousand (4000) psi and meet State of Vermont Standard Specifications for Class ~~B A~~ concrete, Section ~~504~~ 541.

SECTION 108: CEMENT CONCRETE SIDEWALK

C. Construction Methods:

4. Placing and Finishing Concrete - Just prior to placing the concrete, the sub-base shall be moistened. The concrete mixed to the proper consistency shall be placed in the forms and thoroughly tamped in place so that all honeycombs will be eliminated and sufficient mortar will be brought to the surface. ~~There shall be a one hundred foot (100') maximum pour length between dowelled joints unless otherwise approved by the Village.~~ Unless otherwise approved by the Village, sidewalk shall be cast in one hundred (100) foot sections with no expansion joints. Connection to existing sidewalk and between one hundred (100) foot sections shall be accomplished with steel dowels, spaced twelve (12) inches on center. Sidewalk adjacent to curb shall be separated with four (4) millimeter polyethylene. After this, the surface shall be brought to a smooth even finish by means of a wooden float. The surface shall be broom finished. All faces adjacent to the forms shall be spaded so that after the forms are stripped, the surface of the faces will be smooth, even and free of honeycombs. All edges shall be tool rounded with an edger having a quarter (0.25) inch ~~(3")~~ radius.

5. Scoring Concrete - ~~Sidewalks shall be scored to a depth of one (1) inch every five (5) feet. Connections to existing concrete requires minimum 1/2" rebar dowels and shall be installed by drilling.~~ Sidewalk joints shall be saw cut at five (5) foot intervals to one third (1/3) the sidewalk depth. Struck transverse false joints shall not be utilized. Connections to existing concrete requires minimum one half (1/2) inch smooth steel dowels, spaced twelve (12) inches on center, and shall be installed by drilling.

6. Curing Concrete - ~~Same as for Cement Concrete Curb.~~ All sidewalks shall be treated with Certi-Vex AC 1315, per the manufacturer's instructions.

B. Accessible Access. Sidewalk ramps shall be constructed as shown in these specifications and located in accordance with the approved plans at all intersections. ~~Detectable surface shall be truncated domes constructed of cast iron.~~ Saw cutting, exposed aggregate, or scoring sidewalk ramps is not acceptable. ~~Detectable surface shall be truncated domes.~~

SECTION 112: WATER DISTRIBUTION SPECIFICATIONS

D. Construction Methods.

14. Chlorination - ~~The contractor shall furnish sufficient high test Hypochlorite (HTH) and all equipment and labor, and shall chlorinate the water main with a minimum solution of 50 PPM to A.W.W.A. Standard C601. This is to be done under the supervision of the Engineers and great care is to be exercised to ensure that all valves are closed against flow of the heavily chlorinated water back into the in-service mains. The solution of HTH and water shall be mixed in a barrel or drum and pumped into the mains with a hand pump or small unit controlled in such a manner that the HTH solution enters the mains at a uniform rate, with the correct concentration to completely saturate the water to obtain a minimum uniform concentration of 50 PPM through the main to be tested. The HTH solution must be added continuously until the chlorinated water reaches the end of the section being tested. When the HTH solution reaches the end of the hydrant, the valve controlling the inflow of water to the test section shall be closed. After a 24-hour retention period, the treated water shall contain no less than 25 PPM of chlorine throughout the length being tested. The contractor shall then thoroughly flush and dechlorinate while flushing the original chlorination the main to completely remove all the chlorinated water and shall take a test sample to ensure absence of coliform organisms before putting the main into service.~~ Chlorination of the water main shall be conducted only after the main has been satisfactorily pressure and leakage tested and flushed and a clean stream is obtained, as determined by the Engineer. The Contractor shall furnish all labor, equipment, materials, and tools necessary to disinfect the pipe and appurtenances in accordance with AWWA Standard for Disinfecting Water Main C651, latest revision. The continuous feed method shall be performed under the supervision of the Engineer. The Contractor shall thoroughly flush and dechlorinate while flushing the original chlorination of the main to completely remove all the chlorinated water. The Contractor shall coordinate with the Village of Essex Junction Wastewater Treatment Facility on the disposal of heavily chlorinated water flushed from the main. The disinfection process shall be deemed acceptable only after two samples of water from the flushed, disinfected main, collected twenty-four (24) hours apart, show no evidence of bacteriological contamination, as determined by the Health Department or other approved lab.

15. Protection of Water Supplies - ~~Water mains shall be laid at least 10 feet, horizontally, from any existing or proposed sewer, in accordance with State standards. Whenever sewers cross under water mains, the water main shall be laid at such an elevation that the bottom of the water main is at least 18 inches (18") above the top of the sewer. This vertical separation shall be maintained for that portion of the water main located within 10 feet horizontally of any sewer it crosses. When it is impossible to~~

~~obtain horizontal and vertical separation, both the water main and sewer shall be constructed with watertight joints and pressure tested to assure water tightness before backfilling. No water main shall pass through, or come into contact with any part of a sewer manhole.~~

~~There shall be no physical connection between the distribution system and any pipes, pumps, hydrants or tanks which are supplied or may be supplied with water that is, or may be contaminated.~~ Water mains shall be laid at least ten (10) feet horizontally from any existing or proposed sanitary sewer. This distance can be reduced to five (5) feet for storm sewers. The distance shall be measured edge of pipe to edge of pipe. Where impractical due to ledge, boulders, or other unusual conditions, to maintain ten (10) foot horizontal separation between water and sewer lines, the water line may be in a separate trench or on an undisturbed earth shelf in the sewer trench provided that the bottom of the water line is at least eighteen (18) inches above the top of the sewer. Wherever impossible or impractical to maintain eighteen (18) inches vertical separation, the sanitary sewer line shall be constructed to normal waterline standards and pressure tested to fifty (50) psi for fifteen (15) minutes prior to backfilling. No leakage shall be allowed for this test.

Sewer crossing water mains shall be laid beneath the water main with at least eighteen (18) inches vertical clearance between the top of the sewer and the bottom of the water main. When it is impossible to maintain the eighteen (18) inches vertical separation or where the sewer must be laid above the water main;

- (a) The crossing shall be arranged so that one full length of sewer is centered above or below the water line, with sewer joints as far as possible from water joints;
- (b) The sanitary sewer pipe must be constructed to water main standards for minimum distance of twenty (20) feet either side of the crossing or a total of three (3) pipe lengths, whichever is greater;
- (c) The section constructed to water main standards must be pressure tested to maintain fifty (50) psi for fifteen (15) minutes without leakage prior to backfilling beyond one (1) foot above the pipe to assure water tightness; and
- (d) Where water main crosses under a sewer, adequate structural support shall be provided for the sewer to prevent damage to the water main.

~~No water main shall pass through, or come into contact with, any part of a sanitary sewer manhole. There shall be no physical connection between the distribution system and any pipes, pumps, hydrants, or tanks, which are supplied or may be supplied with water that is, or may be, contaminated.~~

SECTION 115: SANITARY SEWER SPECIFICATIONS. Sewer Mains Polyvinyl Chloride (PVC)

D. Construction Methods

3. Backfill - Backfill shall consist of approved material placed in six (6) inch layers with each layer being thoroughly compacted ~~at or near optimum moisture content to a density of 95% of the maximum dry density using the Standard Proctor Test, according to ASTM D698.~~ Debris, frozen material, large clods or stones, organic matter, or other unstable materials shall not be used for backfill. No stones in excess of one and one half (1.5) inch diameter shall be placed within two (2) feet of the outside of the pipe.

Particular precautions shall be taken in placement and compaction of the backfill material in order not to damage and/or break the pipe. The backfill shall be brought up evenly on both sides of the pipe for its full length. Walking or working on the completed pipeline except as may be necessary in tamping or backfilling, shall not be permitted until the trench has been backfilled to a height of at least two (2) feet over the top of the pipe. During construction all openings to the pipe lines shall be protected from contamination by earth or other materials.

4. Manholes - Manholes shall be installed at the end of each line, at all changes in grade, size or alignment of pipe, at all pipe intersections, and at distances not greater than three hundred (300) feet. Pre-cast Reinforced Concrete Manholes shall have the top section set at a grade that will place the riser a minimum of three (3) inches and a maximum of twelve (12) inches from the top of the pre-cast manhole cone. Adjustments shall be made using pre-cast concrete riser rings, expanded polypropylene riser rings, or cast-in-place concrete. Bricks shall not be used. All joints shall be grooved type and shall be fully bedded with mastic seal when setting sections. Lifting holes in all ~~pipe~~ manhole sections shall be filled solid with mortar.

6. Leakage and Testing - If inspection of the completed sewer or any part thereof shows any pipe, manhole, or joint which allows infiltration of water, the defective work, or material, shall be replaced or repaired as directed by the Engineer. After the sewer has been completed, the contractor shall furnish all labor and materials necessary, and in general, assist the Engineer to conduct such leakage tests at such times and at such locations as the Engineer deems necessary.

(c) Manholes - All manholes shall be tested for leakage. Manholes shall be tested for leakage in accordance with one of the following:

(i) Water Test - After the manhole has been assembled in place, all lifting holes and exterior joints shall be filled and pointed with an approved non-shrinking mortar. All pipes and other openings into the manhole shall be suitably plugged and the plugs placed to prevent blowout.

(ii) Each manhole shall be checked for exfiltration by filling with water to the top of the cone section. A stabilization period of one (1) hour shall be provided to allow for absorption. At the end of this period, the manhole shall be refilled to the top of the cone, if necessary, and the measuring time of at least six (6) hours begun. At the end of the test period, the manhole shall be refilled to the top of the cone measuring the volume of water added. This amount shall be converted to a twenty-four (24) hour rate and the leakage determined on the basis of depth. The leakage for each manhole shall not exceed one (1) gallon per vertical foot for a twenty-four (24) hour period for exfiltration and there shall be no visible ~~filtration~~ infiltration.

SECTION 117: STORM SEWER SPECIFICATIONS - STORM DRAINS

2. Catch Basins or Manholes: A pre-cast (or cast in place) concrete catch basin or manhole shall be installed at the end of each line, at all changes in grade, size or alignment of pipe, at all pipe intersections, and at distances not greater than three hundred (300) feet.

- (a) Catch Basins - The catch basins shall conform to requirements for precast risers and base sections found in ASTM C913, latest edition. The cast iron frame and grate shall be Type D LeBaron #LF 248-2, or equal with a minimum weight of four hundred and eighty (480) pounds. For steep grades, a Type E LeBaron #LK 120A, or equal may be supplemented with a minimum weight of four hundred and thirty (430) pounds. There shall be either a manhole or a catch basin every three hundred (300) feet on normal slopes to allow for proper cleaning of the lines.
- b) Manholes - The manholes and manhole frames and covers shall conform to the specifications as set forth under Sanitary Sewer Specifications.
- c) Booted connections shall be used for ~~24" thirty-six (36) inch~~ pipe and smaller.

4. Installing Catch Basins and Manholes - All construction of sewer manholes must be carried out to ensure watertight work. Any leaks in manholes shall be completely repaired to the satisfaction of the Village Engineer or the entire structure shall be removed and rebuilt. All manhole lift holes shall be grouted inside and out with expandable grout. The pipe opening in the precast manhole riser shall have a cast-in-place flexible gasket or an equivalent system for pipe installation, as approved by the Village Engineer. Joints between manhole risers shall be soft butyl joint sealer (rope form). Joints between pipes and catch basin base sections shall be sealed with boots for pipes ~~24" in thirty-six (36) inch~~ diameter or smaller and with cement mortar for pipes larger than ~~24" in thirty-six (36) inch~~ diameter, smoothed on the inside and built up with a heavy bed of excess mortar on the outside.

SECTION 120: FINAL INSPECTION CHECK LIST

- A. Streets, Curbs, and Sidewalks:
 - 2. All required monuments and front boundary ~~lines-pines~~ line markers installed.
- C. Sewer System
 - 5 Material testing results, lab reports, manufacturer’s certificate, leakage test results for pipe and manholes, and ~~mandrel~~ mandrel deflection tests complete and on file.
- E. As Built Plans
 - 1. One set of mylars and two paper copies of plans showing all as built utilities, and water and sewer house connections must be submitted to the Village Engineer by the developer in accordance with Chapter 9. In addition, the developer shall provide to the Village the record drawings in an AutoCAD™ compatible electronic format; **as well as a complete set of the record drawings in PDF format.**

**LAND DEVELOPMENT CODE
TABLE OF CONTENTS**

PUBLIC PARTICIPATION GUIDE

DEVELOPMENT REVIEW PROCESS FLOW CHART

CHAPTER 1: PURPOSE, APPLICATION AND SEVERABILITY-1-

 SECTION 101: TITLE.....-1-

 SECTION 102: PURPOSE-1-

 SECTION 103: AUTHORITY-1-

 SECTION 104: SEVERABILITY-1-

CHAPTER 2: DEFINITIONS AND RULES OF CONSTRUCTION-2-

 SECTION 201: DEFINITIONS-2-

 A. Interpretation-2-

 B. Official plan-2-

 C. General definitions-2-

 D. Transit Oriented Development-17-

 E. Flood plain management definitions-18-

 F. Sewer regulation definitions.....-21-

 G. Sign regulation definitions-22-

 H. Stormwater regulation definitions-24-

 I. Riparian Buffer definitions.....-26-

 SECTION 202: GENERAL RULES-27-

 A. Generally.....-27-

 B. Gender.....-27-

 C. Number-27-

 D. Tense.....-27-

 E. Year.....-27-

 F. Shall; should; may; will; includes-27-

CHAPTER 3: DECISION MAKING AND ADMINISTRATIVE BODIES-28-

 SECTION 301: BOARD OF TRUSTEES-28-

 SECTION 302: PLANNING COMMISSION-28-

 A. Creation.....-28-

 B. Powers and duties.....-28-

 C. Membership-28-

 D. Qualifications-28-

 E. Officers-29-

 F. Quorum-29-

 G. Decisions.....-29-

 SECTION 303: BOARD OF ADJUSTMENT-29-

 A. Creation.....-29-

 B. Powers and duties.....-29-

 C. Membership-29-

 D. Qualifications-29-

 E. Officers-29-

 F. Quorum-29-

 G. Decisions.....-30-

 SECTION 304: PLANNING DEPARTMENT.....-30-

 A. Composition-30-

 B. Duties and responsibilities of the Planning Department.....-30-

 C. Duties of the Development Director.....-30-

 D. Duties of the Administrative Officer.....-30-

 SECTION 305: PUBLIC WORKS SUPERINTENDENT-30-

CHAPTER 4: REGULATION OF LAND USE ACTIVITIES-31-

 SECTION 401: APPROVALS REQUIRED.-31-

SECTION 402: PROHIBITED ACTIVITIES-31-

SECTION 403: EXEMPT ACTIVITIES.....-31-

SECTION 404: EFFECT OF PRIOR APPROVALS-32-

CHAPTER 5: DEVELOPMENT REVIEW PROCEDURES.....-33-

SECTION 501: PROCEDURES OF GENERAL APPLICABILITY.....-33-

 A. Pre-application conference.....-33-

 B. Filing of applications.....-33-

 C. Determination of completeness.....-33-

 D. Notice of public hearings and public meetings-33-

 E. Public hearing procedures-34-

 F. Public meetings.....-34-

 G. Computation of time-34-

SECTION 502: APPROVAL PROCEDURE FOR REVIEW UNDER CHAPTER 6 AND 7 ..-35-

 A. Zoning permit requirement.....-35-

 B. Approval of permitted uses-36-

 C. Approval of conditional uses.....-37-

 D. Approval of temporary uses-37-

 E. Professional Office Development.....-38-

 F. Approval of site plans-39-

 G. Approval of home occupations.....-42-

 H. Approval of signs-43-

 I. Approval of accessory apartments.....-44-

 J. Approval of activities regarding nonconforming uses.....-45-

 K. Approval of activities regarding noncomplying structures.....-45-

 L. Approval of development activities on existing small lots-45-

 M. Planned unit development.....-46-

 N. Telecommunications-46-

 O. Master Plans.....-48-

SECTION 503: SUBDIVISIONS-49-

 A. Purpose.....-49-

 B. Classification.....-49-

 C. Public meetings/public hearings.....-50-

 D. Waivers-50-

 E. General standards of review-50-

 F. Concurrent reviews-50-

 G. Effects of approval or denial-50-

 H. Application submittal requirements-50-

 I. Time limitations-53-

 J. Consolidated applications-53-

 K. Filing of approved subdivision final plat.....-54-

 L. Plat void if revised after approval.-54-

 M. Appeals-54-

SECTION 504: APPROVAL OF ACTIVITIES INVOLVING PUBLIC SEWERS-54-

 A. Review requirement-54-

 B. Review standards-54-

 C. Application Requirements.....-54-

 D. Review procedures-54-

 E. Appeals-54-

 F. Expiration of approvals-55-

SECTION 505: APPROVAL OF ACTIVITIES INVOLVING PRIVATE SEWERS-55-

 A. Review requirement-55-

 B. Review standards-55-

 C. Review procedures-55-

 D. Appeals-55-

 E. Expiration of approvals-55-

SECTION 506: APPROVAL OF WAIVERS TO STANDARDS OF SECTION 718.B.....-55-

 A. Review required-55-

 B. Review standards-55-

C.	Review procedures	-55-
D.	Appeals/waivers	-55-
E.	Appeals	-56-
SECTION 507:	APPROVAL OF ACTIVITIES INVOLVING PUBLIC WATER LINES	-56-
A.	Review requirement	-56-
B.	Review procedures and standards	-56-
C.	Expiration of approvals	-56-
D.	Appeals	-56-
SECTION 508:	APPROVAL OF ACTIVITIES INVOLVING PRIVATE WATER SUPPLY	-56-
A.	Review requirement	-56-
B.	Review procedures and standards	-56-
C.	Expiration of approvals	-56-
D.	Appeals	-56-
SECTION 509:	ACTIVITIES INVOLVING ACCESS TO PUBLIC ROADS	-57-
A.	Review required.	-57-
B.	Review procedures and standards	-57-
C.	Application requirements	-57-
D.	Expiration of approvals	-57-
SECTION 510:	ISSUANCE OF CERTIFICATES OF OCCUPANCY	-57-
A.	Purpose	-57-
B.	Requirement for certificate of occupancy	-57-
C.	Temporary certificate of occupancy	-58-
D.	Requirements	-58-
SECTION 511:	GENERAL REVIEW PROCEDURES FOR PLANNED UNIT DEVELOPMENTS	-58-
A.	Purpose	-58-
B.	Review requirement	-58-
C.	Conceptual plan	-59-
SECTION 512:	APPROVAL OF ACTIVITIES INVOLVING A NEW CONNECTION TO THE PUBLIC STORM DRAINAGE SYSTEM	-62-
A.	Review requirement	-62-
B.	Review standards	-62-
C.	Application requirements	-62-
D.	Review procedure	-63-
E.	Appeals	-63-
F.	Expiration of approvals	-63-
SECTION 513:	APPROVAL OF ACTIVITIES INVOLVING THE CONSTRUCTION OF A STORMWATER SYSTEM	-63-
A.	Review requirement	-63-
B.	Review standards	-63-
C.	Application requirements	-63-
D.	Design practices	-63-
E.	Review procedures	-64-
F.	Appeals	-64-
G.	Permit for stormwater discharges associated with construction activities	-64-
H.	Expiration of approvals	-64-
SECTION 514:	APPROVAL OF ACTIVITIES INVOLVING THE DISTURBANCE OF LESS THAN ONE (1) ACRE OF LAND	-64-
A.	Review requirement	-64-
B.	Review standards	-64-
C.	Application requirements	-64-
D.	Review procedures	-65-
E.	Appeals	-65-
F.	Expiration of approvals	-65-
SECTION 515:	APPROVAL OF ACTIVITIES INVOLVING THE DISTURBANCE OF ONE (1) ACRE OR MORE OR MORE THAN ONE (1) ACRE OF IMPERVIOUS SURFACE	-65-
A.	Review requirement	-65-

B.	Review standards	-65-
C.	Application requirements	-65-
D.	Review standards	-65-
E.	Appeals	-65-
F.	Expiration of approvals	-65-
SECTION 516:	APPROVAL OF ACTIVITIES INVOLVING DEVELOPMENT WITHIN 200 FEET OF A WATERWAY, FLOODPLAIN OR WETLAND	-66-
A.	Review requirement	-66-
B.	Review standards	-66-
C.	Application requirements	-66-
D.	Review procedures	-66-
E.	Appeals	-66-
F.	Expiration of approvals	-66-
G.	Conditional use review	-66-
H.	Riparian buffer landscaping requirements	-66-
CHAPTER 6:	ZONING DISTRICTS REGULATIONS	-69-
SECTION 600:	OFFICIAL ZONING MAP	-69-
A.	Map changes	-69-
B.	Map interpretation	-69-
SECTION 601:	MULTI-FAMILY RESIDENTIAL 1 (M-F1)	-69-
A.	Purpose	-69-
B.	Lot size/lot coverage	-69-
C.	Setback requirements	-70-
D.	Permitted and conditional uses	-70-
E.	Parking requirements	-70-
F.	Building height	-70-
G.	Planned Unit Development	-70-
SECTION 602:	MULTI-FAMILY RESIDENTIAL 2 (M-F2)	-71-
A.	Purpose	-71-
B.	Lot size/lot coverage	-71-
C.	Setback requirements	-71-
D.	Permitted and conditional uses	-72-
E.	Parking requirements	-72-
F.	Building height	-72-
G.	Planned Unit Development	-72-
SECTION 603:	MULTI-FAMILY RESIDENTIAL 3 (M-F3)	-72-
A.	Purpose	-72-
B.	Lot size/lot coverage	-72-
C.	Setback requirements	-73-
D.	Maximum number of dwelling units	-73-
E.	Permitted and conditional uses	-73-
F.	Parking requirements	-73-
G.	Building height	-73-
H.	Planned Unit Development	-73-
SECTION 604:	VILLAGE CENTER (VC)	-74-
A.	Purpose	-74-
B.	Lot size/lot coverage	-74-
C.	Setback requirements	-74-
D.	Permitted and conditional uses	-74-
E.	Design review and historic preservation	-75-
F.	Parking	-79-
G.	Planned unit development	-79-
H.	Building height	-80-
I.	Drive – Through’s	-80-
SECTION 605:	HIGHWAY-ARTERIAL (HA)	-80-
A.	Purpose	-80-
B.	Density/lot coverage	-80-

C.	Setback requirements	-80-
D.	Permitted and conditional uses.....	-80-
E.	Parking requirements	-80-
F.	Building height.....	-81-
G.	Planned unit development	-81-
SECTION 606:	MULTI-FAMILY/MIXED-USE-1 DISTRICT (MF-MU1).....	-81-
A.	Purpose.....	-81-
B.	Density/lot coverage.....	-81-
C.	Setback requirements	-81-
D.	Permitted and conditional uses.....	-82-
E.	Parking requirements	-82-
F.	Building height.....	-82-
G.	Planned unit development	-82-
SECTION 607:	MULTI-FAMILY/MIXED-USE-2 DISTRICT (MF-MU2).....	-83-
A.	Purpose.....	-83-
B.	Density/lot coverage.....	-83-
C.	Setback requirements	-83-
D.	Permitted and conditional uses.....	-84-
E.	Parking requirements	-84-
F.	Building height.....	-84-
G.	Planned unit development	-84-
SECTION 608:	TRANSIT ORIENTED DEVELOPMENT (TOD).....	-84-
A.	Purpose.....	-84-
B.	Applicability.....	-85-
C.	Density/lot coverage.....	-85-
D.	Setback requirements	-85-
E.	Building Frontage, Façade and Entry.....	-85-
F.	Building height.....	-85-
G.	Permitted and Conditional Uses.....	-85-
H.	Access to Public Street.....	-85-
I.	Parking Requirements and Location	-85-
J.	Street and Sidewalk Regulations.....	-85-
K.	Planned Unit Development	-86-
L.	Special Uses.....	-87-
SECTION 609:	RESIDENTIAL-OFFICE (RO).....	-87-
A.	Purpose.....	-87-
B.	Density/lot coverage.....	-87-
C.	Setback requirements	-87-
D.	Permitted and conditional uses.....	-87-
E.	Parking requirements	-87-
F.	Building height.....	-87-
G.	Special standards for residential conversions.....	-88-
H.	Special standards for office conversions	-88-
I.	Standards for existing non-residential structures.....	-89-
SECTION 610:	OPEN SPACE DISTRICT	-89-
A.	Purpose.....	-89-
B.	Lot size/lot coverage	-89-
C.	Setback requirements	-89-
D.	Permitted and conditional uses.....	-89-
E.	Parking requirements	-89-
F.	Building height.....	-89-
SECTION 611:	LIGHT INDUSTRIAL (LI).....	-90-
A.	Purpose.....	-90-
B.	Density/lot coverage.....	-90-
C.	Setback requirements	-90-
D.	Permitted and conditional uses.....	-90-
E.	Parking requirements	-90-
F.	Building heights	-90-

G.	Special standards.....	-90-
SECTION 612:	PLANNED EXPOSITION (PE)	-90-
A.	Purpose.....	-90-
B.	Density/lot coverage.....	-90-
C.	Setback requirements	-91-
D.	Permitted and conditional uses.....	-91-
E.	Parking requirements	-91-
F.	Building heights	-91-
G.	Exposition center PUD.....	-91-
SECTION 613:	PLANNED AGRICULTURE (PA)	-95-
A.	Purpose.....	-95-
B.	Density/lot coverage.....	-95-
C.	Setback requirements	-95-
D.	Permitted and conditional uses.....	-95-
E.	Parking requirements	-95-
F.	Building height.....	-96-
G.	Agriculture PUD	-96-
SECTION 614:	FLOOD PLAIN (FP).....	-98-
A.	Review procedures	-99-
B.	Base flood elevations and floodway limits	-99-
C.	Development standards	-99-
D.	Duties and responsibilities of staff	-100-
E.	Variances to the development standards	-100-
SECTION 615:	MIXED COMMERCIAL USE DISTRICT (MCU).....	-101-
A.	Purpose.....	-101-
B.	Lot size/lot coverage	-101-
C.	Setback requirements	-101-
D.	Permitted and conditional uses.....	-101-
E.	Parking requirements	-101-
F.	Building height.....	-101-
G.	Planned unit development.....	-101-
SECTION 616:	PROFESSIONAL OFFICE OVERLAY DISTRICT	-101-
SECTION 617:	NORTH LINCOLN STREET OVERLAY DISTRICT (NLO)	-102-
A.	Purpose.....	-102-
B.	Permitted uses	-102-
C.	Dimensional standards	-102-
D.	Density	-102-
SECTION 618:	RESIDENTIAL 1 (R-1)	-102-
A.	Purpose.....	-102-
B.	Lot size/lot coverage	-103-
C.	Setback requirements	-103-
D.	Permitted and conditional uses.....	-103-
E.	Parking requirements	-103-
F.	Building height.....	-103-
SECTION 619:	RESIDENTIAL 2 (R-2)	-103-
A.	Purpose.....	-103-
B.	Lot size/lot coverage	-103-
C.	Setback requirements	-104-
D.	Permitted and conditional uses.....	-104-
E.	Parking requirements	-104-
F.	Building height.....	-104-
SECTION 620:	USE CHART.....	-104-
A.	District abbreviations	-104-
B.	Permitted uses	-105-
C.	Conditional uses.....	-105-
D.	Special uses.....	-105-
E.	The use chart.....	-106-

CHAPTER 7: GENERAL DEVELOPMENT STANDARDS-111-

SECTION 701: PURPOSE-111-

SECTION 702: APPLICABILITY-111-

SECTION 703: PARKING AND LOADING-111-

 A. Purpose of parking and loading provisions-111-

 B. Loading requirements.....-111-

 C. Off-street parking requirements-112-

 D. Drive-through facilities-114-

 E. Parking or storage of junk vehicles-114-

 F. Parking of commercial vehicles in residential areas-114-

 G. Parking of recreational vehicles-114-

 H. Parking of recreational vehicles on public property-114-

 I. Vehicles for sale.....-115-

 J. Parking of storage trailers, storage boxes and similar structures-115-

 K. Other parking standards and applicability.....-115-

SECTION 704: LIGHTING.....-118-

 A. Purpose.....-118-

 B. General standards.....-118-

 C. Review of lighting plans-118-

 D. Parking lot illumination.....-119-

 E. Illumination of building facades and landscape-120-

 F. Roadway lighting-120-

 G. Recreation facility lighting.....-121-

 H. Review of lighting plans-121-

 I. Lighting gas station/convenience store aprons & canopies where allowed-121-

 J. Lighting of exterior display/sales areas-121-

SECTION 705: CURB CUT AND ACCESS TO PUBLIC STREETS-122-

 A. Purpose.....-122-

 B. Residential uses.....-122-

 C. Commercial and industrial-122-

 D. General standards.....-122-

 E. Alterations within public right of way.....-123-

SECTION 706: ACCESSORY USES AND STRUCTURES-124-

 A. Purpose.....-124-

 B. General requirements-124-

 C. Set-back exceptions.....-124-

 D. Satellite dish antennae.....-125-

 E. Residential garages.....-126-

 F. Storage sheds, other structures-126-

 G. Outdoor business activities.....-126-

 H. Recycling Centers-127-

 I. Solid waste collection point-127-

 J. Dumpsters or other trash containers-127-

 K. Tennis, basketball or volleyball court.....-127-

 L. Swimming pools.....-128-

 M. Garage sales, yard sales.....-128-

SECTION 707: FENCES-128-

 A. Purpose.....-128-

 B. Standards.....-128-

 C. Exceptions.....-128-

SECTION 708: SCREENING/BUFFERING-129-

 A. Purpose.....-129-

 B. Standards.....-129-

SECTION 709: PRIVATE STREETS-129-

 A. Standards.....-129-

 B. Existing private streets-130-

SECTION 710: VISIBILITY TRIANGLES-130-

 A. Purpose.....-130-

B.	Intersections	-130-
C.	Driveways	-130-
D.	Exceptions	-130-
SECTION 711:	HOME OCCUPATIONS	-131-
A.	Purpose.....	-131-
B.	Review criteria	-131-
SECTION 712:	OPEN SPACE REGULATIONS	-132-
SECTION 713:	STORM WATER MANAGEMENT	-132-
A.	Purpose.....	-132-
B.	Intent	-132-
C.	Illicit discharge detection and elimination.....	-133-
D.	Construction site stormwater runoff control.....	-134-
E.	Commercial and industrial stormwater discharges	-136-
F.	Operation and maintenance of stormwater systems.....	-136-
G.	Maintenance of permitted stormwater systems.....	-137-
SECTION 714:	SIGN STANDARDS	-137-
A.	Temporary signs.....	-137-
B.	Number of signs	-139-
C.	Computation of sign area	-139-
D.	Wall signs.....	-139-
E.	Number of wall signs	-140-
F.	Projecting signs	-140-
G.	Window signs.....	-140-
H.	Awnings	-141-
I.	Freestanding signs.....	-141-
J.	Number of freestanding signs.....	-142-
K.	Subdivision, multi-family, and school entrance signs.	-142-
L.	Location and height requirements.	-143-
M.	Sign illumination and signs containing lights.....	-143-
N.	Miscellaneous restrictions and prohibitions	-144-
O.	Maintenance of signs.....	-145-
P.	Unlawful cutting of trees or shrubs	-145-
Q.	Exemptions	-145-
SECTION 715:	TELECOMMUNICATIONS	-146-
A.	Balloon test	-146-
B.	Criteria for approval and conditions.....	-146-
C.	Continuing obligations for wireless telecommunication facilities	-148-
D.	Removal of abandoned or unused facilities.....	-148-
SECTION 716:	RESERVED	-148-
SECTION 717:	FAMILY CARE FACILITIES	-148-
A.	Purpose.....	-148-
B.	General standards	-148-
C.	Day care facility standards	-148-
D.	Standards of review.....	-149-
E.	Zoning Board actions	-149-
F.	Exemptions.	-149-
SECTION 718:	PERFORMANCE STANDARDS	-149-
A.	Purpose/applicability.....	-149-
B.	Sound	-149-
C.	Odor	-151-
D.	Explosives	-151-
E.	Smoke and particulate matter	-151-
F.	Hazardous materials	-151-
G.	Visual impact	-152-
H.	Gas transmission lines and facilities.....	-153-
SECTION 719:	LANDSCAPE AND TREE PLANTING REQUIREMENTS	-153-
A.	Purpose and intent.....	-153-
B.	Tree protection	-153-

C.	Street trees.....	-154-
D.	Landscaping.....	-154-
E.	Approved plant materials.....	-158-
F.	Minimum planting specifications.....	-159-
G.	Performance bond.....	-159-
SECTION 720:	LOT FRONTAGE.....	-159-
A.	Lot frontage.....	-159-
B.	Required frontage.....	-159-
SECTION 721:	ACCESSORY APARTMENTS.....	-159-
A.	Purpose.....	-159-
B.	Standards.....	-159-
C.	Permit review.....	-160-
SECTION 722:	PROFESSIONAL OFFICE OVERLAY DISTRICT.....	-160-
SECTION 723:	PLANNED UNIT DEVELOPMENT (PUD).....	-161-
A.	Planned unit development.....	-161-
B.	Design considerations.....	-162-
C.	Multifamily dwellings.....	-163-
D.	Findings review requirements.....	-163-
SECTION 724:	RAISING, KEEPING, OR HARBORING LIVESTOCK.....	-164-
SECTION 725:	ABANDONMENT OF STRUCTURES.....	-164-
CHAPTER 8:	NONCONFORMITIES.....	-165-
SECTION 801:	NON-CONFORMING USES.....	-165-
A.	Expansion of non-conforming uses.....	-165-
B.	Change of use.....	-165-
C.	Discontinuation of a non-conforming use.....	-165-
SECTION 802:	NON-COMPLYING STRUCTURES.....	-165-
A.	Disclaimer.....	-165-
B.	Maintenance, repair and expansion.....	-165-
C.	Reconstruction.....	-166-
SECTION 803:	EXISTING SMALL LOTS.....	-166-
SECTION 804:	NON-CONFORMING SIGNS.....	-166-
SECTION 805:	REMOVAL OF NON-CONFORMING SIGNS.....	-166-
CHAPTER 9:	SUBDIVISIONS.....	-168-
SECTION 901:	PURPOSE.....	-168-
SECTION 902:	REQUIRED PERMITS.....	-168-
SECTION 903:	APPLICABILITY.....	-168-
SECTION 904:	GENERAL APPLICATION REQUIREMENT.....	-168-
SECTION 905:	GENERAL STANDARDS.....	-168-
A.	Conformity with other regulations.....	-168-
B.	Site suitability.....	-168-
C.	Public facilities.....	-168-
D.	Protection of significant features.....	-168-
E.	Subdivision name.....	-168-
F.	Lot requirements.....	-168-
G.	Boundary adjustments.....	-169-
SECTION 906:	STREETS.....	-169-
A.	General standards.....	-169-
B.	Arrangement.....	-169-
C.	Design.....	-169-
D.	Deadends.....	-170-
E.	Dedications.....	-171-
F.	Street utilities easements.....	-171-
G.	Right-of-way widths.....	-171-
H.	Curb cuts.....	-171-
I.	Street Surface.....	-171-
SECTION 907:	EASEMENTS.....	-172-

SECTION 908: RECREATIONAL OPEN SPACE-172-

SECTION 909: PEDESTRIAN AND BIKEWAY STANDARDS-172-

SECTION 910: INFRASTRUCTURE IMPROVEMENTS-173-

SECTION 911: MONUMENTS AND LOT CORNER MARKERS-173-

SECTION 912: STREET LIGHTS-173-

SECTION 913: UTILITY LINES-173-

SECTION 914: INSTALLATION/GUARANTEES-174-

 A. Performance bond-174-

 B. Acceptance of streets and open space-174-

SECTION 915: AS BUILT PLANS-174-

SECTION 916: OFF-SITE IMPROVEMENTS-174-

SECTION 917: WAIVERS/EXCEPTIONS-174-

 A. Standards-174-

CHAPTER 10: ENFORCEMENT-176-

 SECTION 1001: VIOLATIONS-176-

 SECTION 1002: ENFORCEMENT THROUGH THE JUDICIAL BUREAU-176-

CHAPTER 11: SEWER REGULATIONS-177-

 SECTION 1101: SEWER USE RULES AND REGULATIONS-177-

 A. Building sewers and connections-177-

 B. Use of sewers-178-

 C. Use of the public sewers-181-

 D. Powers and authority of inspectors-181-

 E. Penalties-182-

 F. Validity-182-

 G. Charges for debt service and operation/maintenance-182-

 H. Commercial and industrial cost recovery system-183-

 I. Private sewage disposal-183-

 J. Private sewers-185-

 K. Pump stations-185-

 SECTION 1102: SEWER ALLOCATION-187-

 A. Allocation of capacity-187-

 B. Expiration of allocations-187-

 C. Assignability of allocations-188-

 D. Administration-188-

CHAPTER 12: RESERVED-189-

CHAPTER 13: RESERVED-190-

CHAPTER 14: WATER SYSTEM MANAGEMENT AND USE-191-

 SECTION 1401: APPLICABILITY-191-

 SECTION 1402: APPLICATIONS-191-

 SECTION 1403: METER REQUIREMENTS-191-

 SECTION 1404: WATER DAMAGE-191-

 SECTION 1405: DISCONTINUATION-191-

 SECTION 1406: ABATEMENT-191-

 SECTION 1407: WATER USAGE-192-

 SECTION 1408: FIRE HYDRANTS-192-

 SECTION 1409: WATER METERS-192-

 SECTION 1410: MULTIPLE USE OF METERS-192-

 SECTION 1411: METER FAILURES-192-

 SECTION 1412: WATER METER CONNECTIONS-192-

 SECTION 1413: PAYMENT-192-

 SECTION 1414: DELINQUENT PAYMENTS-192-

 SECTION 1415: OTHER VILLAGE RIGHTS-192-

 SECTION 1416: WATER SUPPLY-193-

B.	Materials	-204-
C.	Preparation of subgrade.....	-205-
SECTION 104:	CRUSHER RUN - TOP COURSE	-205-
A.	Description	-205-
B.	Materials	-205-
SECTION 105:	BITUMINOUS CONCRETE PAVEMENT	-205-
A.	Description	-205-
B.	Material	-205-
C.	Construction methods.....	-206-
SECTION 106:	CEMENT CONCRETE CURB	-206-
A.	Description.....	-206-
B.	Materials	-207-
C.	Construction methods.....	-207-
SECTION 107:	GRANITE CURB	-207-
A.	Description	-207-
B.	Materials	-208-
C.	Construction.....	-208-
SECTION 108:	CEMENT CONCRETE SIDEWALK.....	-208-
A.	Description	-208-
B.	Materials	-208-
C.	Construction methods.....	-208-
D.	Accessible access	-209-
SECTION 109:	CEMENT CONCRETE DRIVEWAY APRONS (PRIVATE AND COMMERCIAL DRIVES)	-209-
A.	Description.....	-209-
B.	Materials	-209-
C.	Construction methods.....	-209-
SECTION 110:	BITUMINOUS CONCRETE DRIVEWAY APRONS	-210-
A.	Description	-210-
B.	Materials	-210-
C.	Construction methods.....	-210-
SECTION 111:	RIGHT OF WAY MONUMENTS	-210-
A.	Description.....	-210-
B.	Materials	-210-
C.	Construction methods.....	-210-
SECTION 112:	WATER DISTRIBUTION SPECIFICATIONS	-210-
A.	Description.....	-210-
B.	Materials	-210-
C.	Gate valves.....	-210-
D.	Construction methods.....	-210-
SECTION 113:	HYDRANTS.....	-214-
SECTION 114:	SERVICE CONNECTIONS	-215-
A.	Description	-215-
B.	Materials	-215-
C.	Construction methods.....	-215-
SECTION 115:	SANITARY SEWER SPECIFICATIONS.....	-216-
A.	Description.....	-216-
B.	Installation.....	-216-
C.	Materials	-216-
D.	Construction methods.....	-216-
SECTION 116:	SERVICE CONNECTIONS	-219-
A.	Description.....	-219-
B.	Materials	-219-
C.	Construction methods.....	-219-
SECTION 117:	STORM SEWER SPECIFICATIONS - STORM DRAINS	-220-
A.	Description	-220-
B.	Materials	-220-
C.	Construction methods.....	-223-

SECTION 118: RESTRICTIONS AND CONDITIONS OF RIGHT-OF-WAY-224-

 A. Laying of pipes, conduits-224-

 B. Poles, wires, overhead structures, and cutting & trimming of trees.....-225-

 C. General conditions-225-

 D. Street lights-225-

SECTION 119: INSPECTION-225-

 A. Streets, curbs and sidewalks.....-225-

 B. Storm drainage systems.....-226-

 C. Sewer system.....-226-

 D. Water mains-226-

SECTION 120: FINAL INSPECTION CHECK LIST-226-

 A. Streets, curbs, and sidewalks.....-226-

 B. Storm drainage systems.....-226-

 C. Sewer system.....-227-

 D. Water system.....-227-

 E. As built plans-227-

SECTION 121: VARIATIONS AND WAIVERS-227-

DETAIL PLANS

Street detail - Typical plan-D-1-

Street detail - Typical section-D-2-

Street detail – Typical section with foam insulation.....-D-3-

Street detail - Curb and concrete sidewalk-D-4-

Street detail - Residential driveway apron.....-D-5-

Street detail - Commercial/Industrial driveway apron-D-6-

Street detail - Sidewalk ramp-D-7-

Water distribution details - Mains & hydrants.....-D-8-

Water distribution details - Service connection.....-D-9-

Water Meter Minimum Clearance – ¾” Meter.....-D-10-

Water Meter Minimum Clearance- 1”, 1 ½” & 2” Meters-D-11-

Sanitary sewer details - Manholes-D-12-

Sanitary sewer details - Service connection.....-D-13-

Sanitary sewer details - Chimney service connection for deep sewer.....-D-14-

Water & sanitary sewer -Separation and crossing detail.....-D-15-

Trench detail – Flexible & rigid pipe-D-16-

Storm sewer detail - Precast concrete catch basin-D-17-

Storm sewer detail - Underdrain detail-D-18-

Mailbox post detail-D-19-

Street light details – Light pole, light base & light fixture-D-20-

APPENDIX B: FEE SCHEDULE -page 1- 5

APPENDIX C: FUNDING ENGINEER PLAN REVIEW AND INSPECTIONS..... -page 6

APPENDIX D: FUNDING DEVELOPMENT REVIEW BY VILLAGE ATTORNEY -page 8

DISTRICT LOT REQUIREMENTS

DESIGNATED VILLAGE CENTER AND NEIGHBORHOOD DESIGNATION MAP

ZONING MAP

CHAPTER 1: PURPOSE, APPLICATION AND SEVERABILITY

SECTION 101: TITLE. This Ordinance shall be entitled and may be referred to as the Land Development Code.

SECTION 102: PURPOSE. The purpose of this Land Development Code is to implement the Comprehensive Plan of the Village of Essex Junction by establishing regulations, procedures and standards for review and approval of all development and use of land in Essex Junction. This Code is adopted to preserve public health, safety, comfort and general welfare, and to aid in the harmonious, orderly and progressive development of the Village. This Code represents the minimum required standards for development and land use in Essex Junction. It is the intent of the Village to meet or exceed these standards.

SECTION 103: AUTHORITY. The Village is granted authority by the Vermont General Assembly to regulate activities and impacts associated with the development and use of land in the Village. The Chapters contained in this Land Development Code are enacted pursuant to the statutory provisions set forth below:

- A. Chapter 2: Definitions - As applicable below
- B. Chapter 5: Development Review Procedures (Submission of Applications) - As applicable below
- C. Chapter 6: Zoning District Regulations - 24 V.S.A., Chapter 117
- D. Chapter 7: General Development Standards - 24 V.S.A., Chapter 117 and Village Charter, Article I.
- E. Chapter 9: Subdivisions - 24 V.S.A., Chapter 117 and Village Charter, Article I.
- F. Chapter 11: Sewer Regulations - 24 V.S.A., Chapter 101.
- G. Chapter 14: Water System Management - 24 V.S.A., Chapter 89.
- H. Appendix A: Public Works Specifications - Village Charter, Article I.

SECTION 104: SEVERABILITY. If any part or provision of this Code or application thereof to any person or circumstances is invalidated by a Court of competent jurisdiction, such judgment shall be limited to the part, provision or application being adjudicated. Said judgment shall not limit, affect or impair the validity of the remainder of this Code or the application thereof to any other persons or circumstances. The Land Development Code shall be readopted, with revisions as necessary, within eight (8) years after the last published update.

CHAPTER 2: DEFINITIONS AND RULES OF CONSTRUCTION

SECTION 201: DEFINITIONS. (General Definitions, Flood Plain Management Determinations, Sewer Regulation Definitions, Sign Regulations Definitions). Words as defined herein shall be used to interpret provisions of this Code. Interpretation of any words not herein defined shall be made in accordance with the standards specified below.

A. Interpretation:

1. All interpretations of words not herein defined shall be reviewed in the context of the purpose or intent Sections of this Code and the Official Plan as adopted.
2. Words shall be interpreted through consultation with standard planning textbooks. Words with a unique planning definition shall be interpreted to include that definition.
3. Words which have a unique definition in state or federal law shall be deemed to include that meaning.
4. Words without a unique planning definition shall be deemed to be common usage as defined in standard dictionaries.

B. Official Plan. The Village Comprehensive Plan as adopted by the Village Trustees and filed with the Village Clerk is the Official Plan of the Village of Essex Junction. It is the clear intent of this Code to implement the provisions of the Comprehensive Plan and the Comprehensive Plan shall be consulted to determine the intent of any provisions of this Code. Ordinances, bylaws, or regulations enacted which are in clear conflict with the Comprehensive Plan shall not be adopted until and unless the Comprehensive Plan is amended.

C. General Definitions:

1. "*Abandonment*" shall mean to cease or discontinue a use or activity for a period of twelve (12) months, but excluding temporary or short-term interruption to use or activity during periods of remodeling, maintaining, or otherwise improving a facility, or during normal periods of vacation or seasonal closure.
2. "*Accessible Parking*" shall mean parking space designed to comply with standards of the American with Disabilities Act.
3. "*Accessory Apartment*" shall mean a small apartment created within an existing single family dwelling unit, as defined by state statute.
4. "*Accessory Structure*" shall mean a structure, the use of which is incidental and subordinate in size (50% or less) to the principal structure located on the same lot.
5. "*Accessory Use*" shall mean any use or structure which clearly meets the following conditions:
 - (a) It is clearly incidental and customarily found in association with the principal use; and
 - (b) It is subordinate in area, purpose and extent to the primary structure and use of the lot; and
 - (c) It is not identified in the zoning district as a permitted or conditional principal use.
6. "*Additions*" shall mean any development activity which increases floor area or height of a building or structure.
7. "*Administrative Determination*" shall mean a written statement by Staff which approves or disapproves any request as provided herein or interprets a provision of this Code.

8. *"Adult Day Care Facility"* shall mean a facility which includes programs, services, and facilities designed to assist physically or mentally impaired adults to remain in their communities. These are persons who might otherwise require institutional or long-term care and rehabilitation.
9. *"Adverse Impact"* shall mean any addition or effect of a proposed use or structure which may be harmful or injurious to public health, safety or property; any addition or use which does not meet specific review criteria as established herein; or any proposed uses or structures which cumulatively may be harmful or injurious to public health, safety, or property.
10. *"Agent"* shall mean any individual, group, or corporation specifically authorized in writing to act on behalf of any party to a proceeding covered by this Code.
11. *"Agriculture"* or *"Agriculture Sales-Related Activity"* shall mean the use of property or structures for common farming-related activities necessary for crop and animal production. A plant or tree nursery shall be deemed an agricultural related activity. The sale of agricultural products or byproducts on agricultural property is deemed an "agriculture sales-related activity".
12. *"Agriculture PUD"* shall mean a Planned Unit Development (PUD) located in the Planned Agriculture District.
13. *"Alteration"* shall mean any change or modification to a structure.
14. *"Animal Boarding Facility"* or *"Kennel"* shall mean any land, structure, or facility designed and used for the temporary storage or housing of five (5) or more domesticated animals at any time; the housing, storage or raising of any animals as part of an active farm is not deemed to be an animal boarding facility.
15. *"Animal Exhibits"* shall mean any structure or property where animals are kept in captivity for public display with or without charge.
16. *"Animal Shelter"* shall mean any accessory structure or property which is used for housing or sheltering four (4) or fewer common household pets over three (3) months of age, outside of the principal permitted structure.
17. *"Antenna, Tower,"* or *"Satellite Dish"* shall mean any device erected and designed to transmit or accept any type of radio, television, telephone or other electronic signals.
18. *"Application"* shall mean a written request for approval of a proposed use, building or activity as regulated herein.
19. *"Average Grade Building Height Allowance"* shall mean the building height shall be no higher than that permitted in the district above preconstruction grade unless approved by the Planning Commission.
20. *"Bank"* shall mean any financial institution involved in the direct deposit or withdrawal of funds or a structure which houses facilities to deposit or withdraw funds electronically.
21. *"Bed and Breakfast"* shall mean any building, or portion thereof, of residential character which contains no more than four (4) sleeping rooms for rent for transient occupancy not exceeding (2) weeks, and where food is served family style.
22. *"Berm"* shall mean a mound of soil used for screening or landscaping which includes trees, shrubs or ground cover.
23. *"Bike Path"* shall mean any sidewalk, lane, or path designated and clearly marked by the Village for use by bicycles. Nothing shall prevent a bike path from being utilized by pedestrians or other non-motorized conveyances.
24. *"Boarding House"* shall mean any establishment or charitable organization which

provides meals and beds for pay for four (4) or more individuals for thirty (30) or more days in a single family or multi-family dwelling.

25. *"Boundary Line Adjustment"* shall mean adjusting the line between two adjacent lots when the adjustment does not change the nature of any previous subdivision, does not create any new lots, and does not make any existing lot non-conforming.

26. *"Buffer"* shall mean an area required to separate low intensity land uses from more intensive land uses, or a mandated setback from a wetland, stream, river or utility.

27. *"Building"* shall mean any structure that encloses a space for sheltering any occupancy or use including the above ground placement of any type of fuel or oil tank; any structure, vehicle or preassembled building which is permanently attached to the ground or is located on the property for thirty (30) or more days shall be deemed a building. Recreational vehicles as defined herein shall not be deemed a building.

28. *"Building Height"* shall mean the vertical distance from the average finished grade elevation to the highest point of a parapet surrounding a flat roof, the mean height between eave and the highest ridge line of a pitched roof or the highest point of a roof of any other shape (Mansard, Gambrel, Etc), excluding chimneys and decorative cupolas, provided that they do not extend more than five feet above the highest point of the rest of the structure.

29. *"Building Line"* shall mean a line defining the nearest points to adjacent streets or property lines to which a building may be constructed or placed.

30. *"Building Materials Establishment"* shall mean any facility whose principal business is the sale of products to be used off site for construction and installation purposes.

31. *"Building, Principal"* shall mean a building in which the main or primary use of the lot is conducted.

32. *"Business Service"* shall mean a business which offers services to other businesses or individuals, including but not limited to, photocopying, blueprinting, insurance sales, financial management, computer and data processing, security services, interior cleaning and similar uses whose principal business is not the sale of goods or materials.

33. *"Caliper"* shall mean the measurement of the diameter of a tree measured as follows:

(a) A tree less than four (4) inches in diameter shall be measured six (6) inches above grade.

(b) A tree four (4) or more inches in diameter shall be measured twelve (12) inches above grade.

34. *"Capital Improvement"* shall mean any public facility or infrastructure including, but not limited to, streets, sewers, water mains, lights, traffic control devices, public buildings and other public facilities.

35. *"Capital Improvement, Off-site"* shall mean the construction or placement of public infrastructure including, but not limited to, streets, sewers, water mains, lights, traffic control devices and other public facilities which is determined necessary upon review of a development proposal.

36. *"Car wash, Incidental"* shall mean any facility whose principal business is the provision of other automobile services but provides one bay for the washing of vehicles, clearly incidental to the other automobile services provided.

37. *"Car wash,"* shall mean any facility whose principal business is the cleaning and washing of vehicles of any type, or a facility which provides two (2) or more bays for the washing of vehicles by the customer or for hire by the business.

38. *"Catering Services"* shall mean any facility which prepares food for delivery and consumption off the premises.
39. *"Cemetery"* shall mean a parcel of land use for the burial of the dead for cemetery purposes, including columbaria, crematories, mausoleums, and mortuaries.
40. *"Change in Intensity of Use"* shall mean any change in the use of a structure or land that results in an increase or decrease in any standard established in Chapters 6 or 7 of this Code as applied to the subject use.
41. *"Church,"* or *"Other Place of Worship"* shall mean any premises used and operated as a non-profit operation principally as a place of worship and religious education.
42. *"Circus,"* or *"Carnival"* shall mean any temporary entertainment facility open to the general public with or without a fee which provides rides, shows, food booths, animal entertainment or other shows.
43. *"Clinic, Medical"* shall mean any facility which provides medical services by licensed professionals to individuals on an out-patient basis and which does not provide facilities for the care of patients on an overnight basis.
44. *"Clinic, Veterinary"* shall mean any facility which provides medical care to animals which may include facilities for keeping animals overnight as part of veterinary care. Facilities which provide for the overnight boarding or caring of animals which are not part of veterinary care are deemed to be animal boarding facilities.
45. *Commercial PUD"* shall mean a Planned Unit Development (PUD) located in the Village Center, Highway Arterial, or Transit Oriented Development Districts.
46. *"Commercial Vehicle"* shall mean any vehicle designed (or modified) for business purposes for an individual or business; any vehicle which is used primarily to transport tools of a trade or supplies; any vehicle which has attached advertising materials.
47. *"Common Household Pet"* shall mean any domesticated animal commonly associated with and cared for in individual homes. Wild animals, livestock or other domesticated farm animals are not common household pets.
48. *"Common Improvements"* shall mean all streets, driveways, parking bays, or other vehicle use areas, and all uses, facilities, structures, buildings and other improvements or portions thereof, which are designed and provided for the common use, benefits and enjoyment of all residents or occupants of a development or portion thereof.
49. *"Common Ownership"* shall mean ownership of common open space or common improvements which grants at least some undivided and common rights in such lands or improvements to the residents or occupants of a development or a neighborhood, either directly or indirectly, through shares or other interests in the property.
50. *"Common Open Space"* shall mean all open space, or portions thereof, including landscaping, screening, and buffering, which is designated and provided for the common use, benefit and enjoyment of all residents or occupants of all or a designated portion of a development or neighborhood, or which is required as a buffer to protect adjacent property.
51. *"Comprehensive Plan," "Village Plan" or "Plan"* shall mean the Village Comprehensive Plan for the Village of Essex Junction as adopted pursuant to Title 24, Chapter 119, Section 4385 of Vermont Statutes and filed with the Village Clerk.
52. *"Conditional Use"* shall mean a use, as designated on the Use Chart, which may be appropriate at a particular location following specific standards of review and approval as specified in this Code.
53. *"Congregate Housing"* shall mean a facility containing two or more dwelling

units for long term residence exclusively by persons 55 years or older, and their spouses, and which shall include, without limitation, common dining and social recreation features, special safety and convenience features designed for the needs of the elderly. Social services for the residents must include at least two of following: meal services, transportation, housekeeping, linen, and organized social activities.

54. *"Construction"* shall mean any earthmoving activity or grading activity; the erection, placement or assembly of any building or structure or additions thereto on any lot or parcel; the moving and placement of any building, structure or materials onto any lot or parcel.

55. *"Construction Service Establishment"* shall mean any facility which provides off-site services for the construction or building of any development and which stores construction materials or equipment used by business on the property.

56. *"Contiguous"* shall mean adjoining or separated by no more than a street, railroad, property line, brook, stream, easement or other feature.

57. *"Cul-de-sac"* shall mean a dead-end street designed to provide a vehicular turn-around at the end of the street.

58. *"Cultural Facility"* shall mean the use of land, buildings, or structures to provide educational and informational services to the general public, which shall include, but not be limited to, children's museums, schools, art galleries, libraries, or similar facilities.

59. *"Dark Sky Compliant"* shall mean hooded or shielded outdoor lighting fixtures that allows no light emission above a horizontal plane.

60. *"Day Care Facility"* shall mean a facility in which care is provided on a regular basis for seven (7) or more children under twelve (12) years of age, at one time. Such facilities include those commonly known as "day care center", "day nurseries", "play groups", and "preschool".

61. *"Day Care Home"* shall mean a facility which provides care in the owner's residence on a regular basis for six (6) or fewer children at any time, excluding children of the owner.

62. *"Dead-end Street"* shall mean a street open at one end only without provision for a turnaround and which may be extended into adjoining property.

63. *"Density Bonus"* shall mean an increase in the number of residential units, lot size or the size of a non-residential structure specifically granted to a single development.

64. *"Design Storm"* shall mean the maximum storm expected to occur once during the interval specified in this Code.

65. *"Development"* shall mean the carrying out of any building activity, the making of any material change in the use or appearance of any structure or land, a change in the intensity or use of land, or the filling of land or the dividing of land into two or more parcels.

66. *"Development Standards"* shall mean the engineering, construction, and design standards, procedures and practices necessary for approval and review of development proposals.

67. *"Discharge, Storm Water"* shall mean any stormwater which leaves a site and subsequently enters any artificial or natural drainage system or drainage way.

68. *"Domestic Vehicle"* shall mean an automobile or non-commercial vehicle designed and used for personal purposes.

69. *"Dormitory"* shall mean a building that is owned and/or operated by an educational institution whose primary purpose is to provide living accommodations for individuals associated with the institution.

70. *"Double Frontage Lot"* shall mean a lot with street frontage on two boundaries.
71. *"Drainage Facilities"* shall mean any drainage way or facility designed and constructed to control the surface flow of water and may include surface and sub-surface components.
72. *"Driveway"* shall mean the portion of a lot and right of way used for vehicular access between an abutting street and a vehicular parking area. A driveway serving multiple units on one lot shall not be considered a private drive or private street.
73. *"Dry Cleaner"* shall mean an establishment which provides laundry, dyeing or dry cleaning services to individual customers. Drop-off facilities for cleaning off-the-premises shall be deemed "personal service establishments".
74. *"Dumpster"* shall mean an enclosed container or a container with a lid used to temporarily store waste. A container used for domestic waste for single family shall not be deemed a dumpster.
75. *"Dwelling, Mobile Home or Manufactured Home"* shall mean a dwelling unit constructed off site on a chassis or frame and moved or placed on a lot and connected to utilities.
76. *"Dwelling, Multi-Family"* shall mean a building or structure designed to contain three or more dwelling units.
77. *"Dwelling, Single-Family"* shall mean a building or structure designed to contain no more than one dwelling unit.
78. *"Dwelling, Two-Family or Duplex"* shall mean a building or structure designed to contain no more than two dwelling units.
79. *"Dwelling Unit"* shall mean a dwelling structure, or portion thereof, designed, constructed or used as living quarters for one family, and which includes facilities for food preparation, sleeping and sanitation.
80. *"Easement"* shall mean a grant by a property owner of one or more of the rights associated with the property for use by the public, a corporation or another person or entity. Easements shall not be subtracted from the total lot area.
81. *"Eating and Drinking Establishment"* shall mean any establishment which provides, for compensation, food or drinks primarily for consumption on the premises. This term does not include establishments which provide drive-through facilities or whose primary business is the preparation of food to be consumed off the premises.
82. *"Eating Establishment, Drive-Through"* shall mean any facility which provides one or more windows which allow patrons to buy and pick up food from their vehicle for consumption off premises.
83. *"Emergency Shelter"* shall mean any building, structure, residence or place for the temporary housing or care of individuals or families (including limited counseling) for a period not to exceed thirty (30) days. This term shall not be deemed to include day care facilities, day care homes, family care homes, family care facilities, nursing, rest or convalescent homes, halfway houses or similar facilities.
84. *"Existing"* shall mean in existence on or before the effective date of this Code.
85. *"Family"* shall mean one or more persons occupying a dwelling and living as a single housekeeping unit. Family may include a group of not more than five (5) unrelated persons living as a single housekeeping unit or foster children living with one or more unrelated persons.
86. *"Family Care Facility"* shall mean a facility in which care is provided on a regular basis for seven (7) or more adults, including limited counseling and medical care, and commonly known as group care facilities, hospices, half-way houses, and similar

facilities.

87. *"Family Care Home"* shall mean a facility which provides for care in the owner's residence on a regular basis, for six (6) or fewer adults at any time, excluding residents of the dwelling.

88. *"Fence"* shall mean a freestanding structure of metal, masonry, stone, wood or any combination, which is attached to the ground and used for confinement, screening, or partitioning purposes.

89. *"Fill"* or *"Filling"* shall mean the placement of material or soil on any property in any manner which increases or alters the flow of stormwater on any adjacent lot. Soil preparation for gardening purposes shall not be deemed "fill".

90. *"Flea Market"* shall mean any premises where the principal use is the sale of new and used household goods, personal effects, tools, art work, handicrafts, and small appliances or equipment in small quantities on a temporary or limited basis. Spaces or booths may be rented or leased to individuals for the sale of products.

91. *"Floor Area"* shall mean the square footage of the horizontal floor area within any building or structure measured from the interior walls.

92. *"Formula-Based Restaurant"* shall mean a restaurant that is required by contractual or other arrangement to offer any of the following: standardized menu, employee uniforms, interior and/or exterior color schemes, architectural design, signage or similar standardized features, or which adopts a name or food presentation format that causes it to be substantially identical to another restaurant regardless of ownership or location.

93. *"Formula-Based Retail"* shall mean a retail use that is required by contractual or other arrangement to offer any of the following: standardized inventory, employee uniforms, interior and/or exterior color schemes, architectural design, signage or similar standardized features, or which adopts a name or product presentation format that causes it to be substantially identical to another store regardless of ownership or location.

94. *"Freight Rail Distribution Center"* shall mean a facility or a group of facilities that perform consolidation, warehousing, packaging, decomposition and other functions linked with handling freight. Their main purpose is to provide value-added services to freight. They can also perform light manufacturing activities such as assembly and labeling. They can accommodate warehouses designed to store goods for longer periods of time.

95. *"Frontage"* shall mean the length of the front lot line for a single parcel of land which runs contiguous to and parallel with public right-of-way or private street or easement which it borders.

96. *"Funeral Home"* shall mean any building or structure, or part thereof used for human funeral services which may include a chapel or facility to be used for funeral services. A funeral home and funeral home services shall not include cremation services.

97. *"Gas Pump"* shall mean any device used for the sale of fuel where no service or repair activity is provided. The sale of fuel may be secondary or incidental to the sale of other goods or products.

98. *"Group Housing"* shall mean any premises where the principal use is the housing of two or more individuals not living as a single housekeeping unit and which does not have individual cooking and eating facilities or separate apartments. This term shall be deemed to specifically include sororities, fraternities, retreat houses, camps, convents or similar uses but does not include hotels, family care facilities, family care homes or boarding houses.

99. *"Hard Surfaced"* shall mean surfaced with asphalt, concrete, paving stones and similar material. Gravel is not considered hard surfaced.
100. *"Historic Property,"* or *"Historic Resource"* shall mean any property, building, structure, or place identified as having local, state or national historic significance.
101. *"Home Occupation"* shall mean any activity undertaken or intended for financial gain by the occupants of any dwelling unit.
102. *"Home Owners Association"* shall mean a formally constituted nonprofit association or corporation made up of the property owners and/or residents of fixed place and responsible for the costs and upkeep of common facilities.
103. *"Hotel, Motel"* shall mean a facility designed and constructed to provide sleeping facilities for travelers for a fee and for limited periods of time. Common terms include inn, motor inn, motor lodge, tourist cabin, and tourist court. A hotel may have limited cooking facilities in individual rooms provided, however, that no more than fifteen (15) percent of all the units may provide cooking facilities.
104. *"Hotel, Motel – Extended Stay"* shall mean a facility that contains six or more guest rooms intended or designed to be used, or which are used, rented, or hired out to be occupied or which are occupied for sleeping purposes for guests and contain kitchen facilities for food preparation including but not limited to such facilities as refrigerators, stoves, and ovens. Guests primarily stay for periods of one week or more. Extended stay hotels/motels shall not be occupied by children in the local school system. Extended stay hotels/motels shall not be used as permanent residences.
105. *"Impervious Surface"* shall mean that portion of a lot or parcel of land which has been compacted or covered in such a way to resist the infiltration of water. This shall include any building, structure, roof, sidewalk, street, driveway or similar uses.
106. *"Incinerator"* shall mean any facility designed to be used for the disposal by combustion of products or materials.
107. *"Infrastructure"* shall mean road, water, sewer, storm water, street lights, drainage systems or similar facilities.
108. *"Junk Vehicle"* shall mean any vehicle, trailer, semi-trailer or other motorized conveyance which, for a period exceeding thirty (30) days is inoperable or in a condition that would not be allowed to operate upon public roads in its present condition under the law of the State of Vermont. Vehicles which are used for salvage or parts are specifically deemed to be junk vehicles. Vehicles that are being repaired or restored shall be excluded if the owner demonstrates that efforts to bring the vehicle to an operable condition have been made and will be completed within thirty (30) days. The restoration or repair of one antique vehicle, owned by the resident, and repaired or restored within an enclosed structure, shall not be deemed a junk vehicle.
109. *"Junk Yard"* shall mean any place which is maintained, operated or used in connection with a business for storing, keeping or processing, buying or selling junk for processing or use on or off the premises. Also included is any facility designed or used for the storage or sale of unlicensed vehicles or parts from vehicles. This does not include a garage or service station where wrecked or damaged vehicles are stored for less than thirty (30) days, or a recycling or waste collection center approved under provisions of this Code, or new or used car sales establishments where vehicles for sale are unlicensed.
110. *"Landfill Collection Site"* shall mean any premises, facility, structure, or building designed and utilized for the temporary storage or sorting of materials for later removal to a landfill or recycling center.

111. *"Landscape Service"* shall mean any establishment which provides maintenance, planting, sodding, seeding, trimming or other care to any plant off-premises. The production and storage of plant materials on the premises for pick-up and delivery is also deemed a landscape service.
112. *"Livestock or Other Domesticated Farm Animals"* shall mean animals typically associated with farm or agricultural practices. Livestock or domesticated animals shall include but not limited to the following: bison, chickens, cows, ducks, geese, goats, horses, ostrich, llamas, sheep, swine, etc.
113. *"Lot"* shall mean a definable parcel of land occupied or capable of being occupied by one or more structures or uses as regulated and approved by this Code.
114. *"Lot Area"* shall mean the area within the property lines of a lot, calculated from dimensions of the boundary lines of the lot, exclusive of any portion of the lot that is within a public or private street.
115. *"Lot Consolidation"* shall mean a procedure used to combine two or more lots into a single lot.
116. *"Lot, Corner"* shall mean a lot abutting two (2) or more intersecting public or private streets.
117. *"Lot Coverage"* shall mean that portion of the area (square footage) which is covered by buildings, structures, parking areas, sidewalks, driveways or other impervious surfaces.
118. *"Lot Depth"* shall mean the distance between the front and rear lot lines.
119. *"Lot Line"* shall mean the boundary which separates the lot from adjoining lots or streets.
120. *"Lot Line, Front"* shall mean a lot line which separates the lot from a public or private street or approved easement.
121. *"Lot Line, Side"* shall mean a lot line which separates a lot from adjoining properties.
122. *"Lot Line, Rear"* shall mean the lot line intersecting a front lot line that is most distant from and most closely parallel to the front lot line. A lot bounded by only three lot lines will not have a rear lot line.
123. *"Lot, Reverse Frontage"* shall mean any lot, intentionally designed so that the front lot line faces a local street rather than facing a parallel major street and which provides no access to the major street.
124. *"Lot Width"* shall mean the horizontal distance between the side lot lines of a lot measured along a straight line, parallel to the front line at the minimum required building setback line.
125. *"Mail Services"* shall mean any establishment which engages in the distribution of mail or parcels.
126. *"Manufacturing, Heavy"* shall mean any land use where a principal activity is the assembly or creation of products from raw materials. Specifically included are asphalt batch plants, commercial incinerators (not accessory to a permitted use), oil, gas or coal fired facilities used to process raw products, and other similar uses which potentially generate water or air-borne pollutants.
127. *"Manufacturing, Light"* shall mean any business where the principal use is the assembly of materials or parts to be used in the manufacture or assembly of consumer products including small appliances, electronics, computers, and other products. Research and development of new products, or improvements to existing products is permitted.

128. *"Massage Therapy"* shall mean the scientific manipulation of the soft tissues of the body for the purpose of normalizing those tissues and consists of manual techniques that include applying fixed or moveable pressure, holding, and/or causing movement of, or to, the body to enhance health and healing when undertaken by a Massage Therapist that is certified or registered through the National Certification Board for Therapeutic Massage and Bodywork's certification program, or an approved alternative certification body, for example AMA-VT.
129. *"Material Change in Use"* shall mean a change from:
- (a) One type of use identified in the Use Table set forth in Section 620 to another type of use set forth in such table or a use not set forth in such table; or
 - (b) A type of use not set forth in the Use Table at Section 620 to a type of use set forth in such table; or
 - (c) A type of use not set forth in the Use Table at Section 620 to another type of use not set forth in such table.
130. *"Medical and Dental Lab"* shall mean any establishment whose principal business is the processing, testing, or analysis of materials for medical purposes and which provides limited direct client service. Clients or patients shall not be examined or treated on the premises.
131. *"Mini Warehouse"* shall mean a storage facility designed and constructed for rent of individual storage spaces to customers where each rented or leased space has an individual door or gate. The storage or lease of spaces for commercial storage shall be deemed a warehouse.
132. *"Motor Vehicle Maintenance Service"* shall mean a facility which provides vehicle maintenance, including oil changes and lubrication, tire sales and replacement, and minimal work while the customer is on the premises. Sale of gasoline, oil, tires or parts for use off premises is not permitted.
133. *"Motor Vehicle Repair Services"* or *"Service Station"* shall mean any facility which provides repair service to individual vehicles including the installation of new or used parts. Repair and installation includes engine repair, transmission repair, body repair, and the installation or replacement of any mechanical parts. Car washing, maintenance services, tire installation and sale of parts may be an incidental or accessory use. The sale of gasoline may be permitted.
134. *"New Unit"* shall mean a dwelling unit approved and constructed pursuant to the Land Development Code without credit or consideration for whether it replaces any pre-existing dwelling unit. With respect to any section of this Code, there shall be no credit or reduction of any kind for an existing dwelling unit that is replaced by a new unit.
135. *"Nursing, Rest, or Convalescent Home"* shall mean an institution other than a hospital for the care of children, the aged, the infirm, or those suffering long-term bodily ailments and whose residents require on-going professional care and assistance.
136. *"Occupancy"* shall mean the use of any structure, premises, or portion thereof which is leased, rented, or owned, for any conditional, permitted, or non-conforming use.
137. *"Office"* shall mean any building, structure, room, suite or portion thereof where the occupant transacts business or carries on a stated occupation. An office shall not include the manufacture, assembly, cleaning, testing, processing, or repair of any product.
138. *"Office, Home"* shall mean any business use of a room, or portion thereof, within a dwelling, which meets the home occupation standards.
139. *"Office, Incidental"* shall mean any suite, room or occupancy within a building used for the purposes of meeting customers or processing paperwork for the permitted

business.

140. *"Office, Professional"* shall mean any building or structure where the principal use is the conduct of business by professionals such as engineers, architects, planners, land surveyors, artists, attorneys, accountants, insurance agents, real estate brokers, and limited dental and medical services. Facilities which provide overnight care to any customer shall not be deemed a professional office.

141. *"Off-Site Improvements"* shall mean improvements to public infrastructure required as a condition of approval of a development which created the need for the improvements.

142. *"Open Space"* shall mean that area within the boundaries of any lot or development that is intended to provide light and air and upon which no improvement which creates impervious surfaces may be installed, erected, or constructed. Open space shall in general be available for entry and use by the occupants of the lot. Ordinarily, open space shall be maintained with vegetative cover.

143. *"Ownership"* or *"Owner of Record"* shall mean the individual, group, or corporation with legal title to the land or with a contract to obtain legal title, or an individual, group, or corporation given specific ownership rights by a lease.

144. *"Parcel"* shall mean a lot or tract of land.

145. *"Parking Area"* shall mean any area outside of any street right-of-way or easement specifically allocated and designed to accommodate the parking or storage of domestic vehicles.

146. *"Parking, Commercial"* shall mean the use of land or structures as a principal use for the parking of vehicles for a fee.

147. *"Parking Space"* shall mean a striped or signed space designed to accommodate one vehicle. Spaces may be marked for handicapped vehicles, small cars, recreational vehicles, or other type of motorized vehicle.

148. *"Personal Service Establishment"* shall mean a facility which provides care to a person or a person's apparel, barber shops, beauty shops, seamstress shops, shoe repair shops, coin-operated laundries, optician shops, diet centers, health clubs, spas, pet grooming shops and similar uses. Sales of products must be clearly incidental to the services provided.

149. *"Planned Unit Development"* or *"PUD"* shall mean one or more parcels of land to be developed as a single entity, the plan for which may propose any authorized combination of density or intensity transfers or increases, as well as the mixing of land uses in non-residential Districts. This plan, as authorized, may deviate from bylaw requirements that are otherwise applicable to the area in which it is located with respect to the area, density or dimensional requirements or allowable number of structures and uses per lot as established in any one or more districts created under the provisions of these regulations. The specific requirements of a PUD and the area, density and dimensional provisions that may be modified are further defined in each district in which PUDs are allowed.

150. *"Planning Commission"* or *"Commission"* shall mean the Planning Commission created under provisions of Title 24, Chapter 117 of Vermont Statutes appointed by the Village Board of Trustees with the responsibilities as specified by Vermont Statutes, the Village Charter and the provisions of this Code.

151. *"Pollution"* shall mean the presence in the air, water, or soils of any substance, contaminants or noise which may be harmful or hazardous to human health or welfare or animal and plant life or property as defined by Federal and State law.

152. *"Principal Building"* shall mean a building or structure in which is conducted the main or principal use of the lot or parcel upon which said building is located.
153. *"Principal Use"* shall mean the main use which is conducted on a lot or parcel or within a building or structure located on the lot or parcel.
154. *"Private Community Use"* shall mean any structure used, owned or operated by a profit or non-profit organization for the sole benefit of its membership. Food and beverages may be provided on the premises if the facility is so designed and constructed. Membership may be recreational or social.
155. *"Private Street"* shall mean any street which has not been accepted as a public street.
156. *"Private Yard"* (condo, townhouse, etc.) shall mean any yard fenced, screened or walled to provide private space on the lot for the owners or occupants of a dwelling of any type.
157. *"Public"* shall mean any use, land, structure, building, or facility used by any state or local governmental entity for use by the general public regardless of ownership.
158. *"Public Hearing"* shall mean any duly noticed hearing on an application or use as specified by this Code.
159. *"Public Meeting"* shall mean any duly noticed meeting at which a quorum (a majority) is present to conduct business.
160. *"Public Street"* shall mean a street owned by the municipality.
161. *"Public Works Standards"* shall mean the construction and installation standards adopted herein for infrastructure or connection to or use of existing public infrastructure.
162. *"Recreation Use, High Intensity"* shall mean any public, quasi-public or private property where the principal use is a zoo, aquarium, amusement park, stadium, drive-in facility, golf course, exposition center, or similar use or activity.
163. *"Recreation Use, Low Intensity"* shall mean any public, quasi-public or private facility where the principal use is for active or passive recreation in a park, playground, athletic field, tennis court, bike path, or similar facility for indoor and outdoor activities. Indoor recreation structures may have accessory uses or structures such as snack bars, locker rooms, and pro shops that are designed and intended for use by the patrons of the primary use. A private club house restricted to use by development residents may be a low intensity recreation use.
164. *"Recreation Use, Medium Intensity"* shall mean any recreation facility or use such as billiards, bowling, miniature golf course, in-door shooting range, arcade, pool halls, theaters and similar facilities.
165. *"Recreation Use, Temporary"* shall mean any recreation use which is established on a temporary basis including circuses, carnivals, booths, festivals, and similar uses.
166. *"Recreational Vehicle"* shall mean any vehicle built and used primarily for recreation purposes (including boats) and designed to be pulled behind another vehicle or any motorized vehicle which accommodates sleeping and/or eating. Common terms include camper, topper, trailer, motor home, and RV.
167. *"Recreational Vehicle Site"* shall mean any parcel or portion thereof designed and constructed to accommodate the parking of one or more recreational vehicles for a fee.
168. *"Recycling Center"* shall mean a facility designated for the delivery and pick-up of recyclable materials.
169. *"Redevelopment"* shall mean the alteration, conversion, reconstruction, structural alteration or enlargement of any structure or the change in any use.
170. *"Repair Service Establishment"* shall mean a business in an enclosed structure

whose principal use is the repair and replacement of common household items such as appliances, watches, musical instruments, computers, bicycles, radios, televisions, refrigerators, air conditioners and similar uses. Product sales shall be incidental to the repair business.

171. *"Residential Development"* shall mean any subdivision, apartment, cluster home, carriage home, condominium, or townhouse designed and constructed for residential occupancy.

172. *"Re-Subdivision"* shall mean the creation of a new subdivision whose boundaries or lot lines have changed from a previously approved subdivision and excluding "lot division", "lot consolidation" or "boundary adjustment".

173. *"Retail, Convenience"* shall mean an establishment whose principal use is the sale of products in small quantities for the daily use of customers including but not limited to bakeries, food stores, newsstands, tobacco shops, card shops, liquor stores, delicatessens, musical supply stores, pet stores, jewelry stores, camera and photography supplies, ice cream parlors, meat and seafood shops, and florist shops.

174. *"Retail, Sales,"* shall mean an establishment whose principal use is the sale of products for consumption or use by the customer off the premises. This shall include but not be limited to hardware, department, paint, office equipment, sporting goods, trading stamp and redemption outlets, television (including satellite dishes), automotive supply and major household appliance stores (including refrigerators, stoves, ovens, air conditioners, furnaces).

175. *"Right-of-way"* shall mean any parcel of land deeded or for which an easement is granted for the current or future construction of a public or private street. A right of way shall be subtracted from the total lot area.

176. *"Roadside Sale of Agricultural Products"* shall mean the use of any lot or portion thereof for the display or sale of locally grown or produced agricultural products on a temporary or seasonal basis.

177. *"Sales, Outdoor"* shall mean the use of any lot or parcel or portion thereof for the sale and storage of any product or the exchange or swapping of any product among customers.

178. *"Sales, Temporary"* shall mean the use of any structure, lot or parcel for limited sales events which are conducted on private or public property for brief periods of time.

179. *"Salvage"* shall mean the recovery of any product from the waste stream with intent to recycle or sell for any purpose.

180. *"School"* shall mean any establishment certified by the Vermont Department of Education, including parochial, private, public and nursery schools, colleges, universities and accessory uses, but specifically excluding commercially operated schools of beauty, culture, business, dancing, driving, music and other similar establishments.

181. *"Service Bay"* shall mean a space designed and constructed for the placement of any motor vehicle for repair, servicing, or washing. Service bays may be located outside of structures.

182. *"Service Station"* See *"Motor Vehicle Repair Services"*.

183. *"Setback"* shall mean the required minimum horizontal distance from the property line to the nearest point of a structure.

184. *"Sewer Allocation"* shall mean the granting of specific rights to discharge sewage into a sewer for treatment at the Village's Waste Water Treatment Plant.

185. *"Shopping Center"* shall mean a structure or series of structures which contain a variety of commercial outlets for purchasing goods and services.

186. *"Site Plan"* shall mean a plan, prepared to scale, showing accurately and with complete dimensions, the boundaries of a site and the location of all buildings, structures, uses, and principle site development features proposed for a specific parcel of land.
187. *"Small Scale Facility"* shall mean any Wireless Telecommunication Facility that is installed on the ground and does not exceed 20 feet in elevation and/ or that is installed on an existing building or structure and does not extend more than 20 feet from the building or structure.
188. *"Solar Collector"* *"Solar Receptor"* shall mean a device designed and used for collecting solar energy and converting it to heat or electrical energy.
189. *"Solid Waste Collection Point"* shall mean an area or facility designated for the temporary collection and transfer of waste to an approved landfill.
190. *"Stable, Public"* shall mean any boarding and grooming facility for horses or other livestock with stalls for rent to the general public. A stable may include riding facilities and trails.
191. *"Staff"* shall mean any Village employee or other personnel retained on a contractual basis to whom is delegated the authority to take specific actions as provided herein.
192. *"Storage, Outdoor"* shall mean any facility whose principal use is the storage of products, equipment, recreation vehicles or supplies and which does not include storage of vehicles for sale to the general public.
193. *"Stormwater Retention Facility"* shall mean any facility designed and constructed to hold stormwater runoff.
194. *"Stormwater Runoff"* shall mean water from precipitation which is not absorbed into the soil, does not evaporate and which runs across the land during periods of precipitation.
195. *"Story"* shall mean a portion of a building between an upper surface of a floor and the upper surface of the floor above, or if there is no floor above it, the space between such floor and ceiling above it. A basement shall be considered as a story when the distance from grade to the finished surface of the floor above the basement is more than six (6) feet for more than 50 percent of the perimeter or more than twelve (12) feet at any point.
196. *"Street"* shall mean any public or private way designed for use by motorized and non-motorized vehicles and pedestrians; and providing access to adjoining lots.
197. *"Structure"* shall mean the assembly or placement of any materials for occupancy or use including, but not limited to, a building, mobile home or trailer, billboard, sign, wall or fence (except a wall or fence on an operating farm and fences less than six (6) feet in height) and tanks for storage of gas and/or oil consistent with Section 4303 of Title 24, Chapter 117 of Vermont Statutes Annotated.
198. *"Subdivision"* shall mean any land, vacant or improved, which is divided or proposed to be divided into two (2) or more lots, parcels, sites, plots, units or interests for the purpose of offer for sale, lease or development. Multi-Family developments of 5 or less units shall not be considered a subdivision.
199. *"Substantial Improvement"* shall mean any repair, reconstruction or improvement of a structure, the cost of which equals or exceeds fifty (50) percent of the market value of the structure either (a) before the improvement or repair is started (b) if the structure has been damaged and is being restored, the value of the structure before the damage occurred. The term does not, however, include (1) any improvement to comply with existing State or local health, safety or sanitary code specifications which are solely

necessary to assure safe living conditions or (2) any alteration of a structure listed on the National Register of Historic Places or a State Inventory of Historic Places

200. *"Taxi-cab and Limousine Service"* shall mean a parcel, building or space designated for use by any company providing transportation for a fee. Incidental office space, structures designed for the storage of vehicles and the outdoor storage of vehicles not currently in service may be included.

201. *"Temporary Permit, Champlain Valley Exposition"* shall mean any permit authorized herein and issued for specific events at the Champlain Valley Exposition Fairgrounds.

202. *"Temporary Structure"* shall mean any structure in place greater than six months in any 12 month period shall not be considered a temporary structure.

203. *"Temporary Use"* shall mean an identified use permitted on an occasional basis for a specific length of time.

204. *"Temporary Use Permit"* shall mean a permit authorizing the establishment of a specific temporary use.

205. *"Traffic Impact Study"* shall mean a study which analyzes the traffic generated by a specific development proposal and describes the impact of the traffic generated on adjacent streets, intersections and driveways. A traffic impact study may also include a study of impact on streets or intersections not immediately adjacent to the proposed development.

206. *"Transfer of Development Rights"* shall mean a process by which the right to develop one portion of a parcel of land (sending area) is transferred to another portion of the same parcel (receiving area). The right to develop the sending area of land is eliminated.

207. *"Trustees"* or *"Board of Trustees"* shall mean the legislative body of the Village of Essex Junction elected pursuant to the provisions of the Village Charter.

208. *"Utility Uses, Utilities"* shall mean any public regulated company or governmental entity which provides specific public services including electricity, natural gas, telephone, cable television, water, sewer, storm sewer and similar facilities.

209. *"Variance"* shall mean a procedure by which a waiver of Code requirements may be obtained from the Zoning Board when the strict application of the Code to a specific parcel will cause undue hardship.

210. *"Vehicle Sales"* shall mean the sale of cars, sport utility vehicles and light trucks.

211. *"Visibility Triangle"* shall mean a designated area located adjacent to the intersection of two or more streets or driveways which shall be kept free from visual obstruction.

212. *"Warehouse"* shall mean a facility where the principle use is the storage of merchandise, products, or materials for a fee or for distribution or sale to other businesses. Storage of materials incidental to a permitted use is not a warehouse.

213. *"Wild Animals"* shall mean any non domesticated animals.

214. *"Wireless Telecommunication Facility"* shall mean any tower or other support structure, including antennae, that will extend 20 or more feet vertically, and any accompanying structure, building, access road, service utility or equipment that broadcasts or receives radio frequency waves carrying Wireless Telecommunication Services.

215. *"Wireless Telecommunication Service"* shall mean any commercial mobile service, wireless service, common carrier wireless exchange service, cellular service, personal communication service (PCS), specialized mobile radio service, paging service,

wireless data service, or public or private radio dispatch service.

216. *"Wireless Telecommunication Service Provider"* shall mean any person or entity providing Wireless Telecommunication Services.

217. *"Yard"* shall mean the required open space area located on the same lot with a building or structure, unoccupied and unobstructed from the ground up. The minimum depth or width of a yard shall be the horizontal distance between the lot line and the nearest point of the structure.

218. *"Yard, Special"* shall mean the required front, side or rear lot area normally required for setbacks which, due to unusual lot configurations, cannot meet the standard side, front, or rear yard definitions.

219. *"Zero Lot Line"* shall mean a piece of real estate in which the structure comes up to, or very near to the edge of the property line.

220. *"Zoning Board of Adjustment," "Zoning Board," "Board of Adjustment,"* or *"Board"* shall mean the Board as appointed by the Village Trustees which has the specific authority to act on variances, conditional uses, and Code interpretations as specifically delegated by this Code and provisions of the State of Vermont Statutes.

D. Transit Oriented Development. For the purposes of Section 608 of this Code, the following definitions shall apply:

1. *"Affordable Housing"* shall mean housing, either rental or for sale, that is affordable to households earning eighty (80) percent of the median income for the Burlington Metropolitan Statistical Area (MSA) as established by the US Census Bureau and for which they pay no more than thirty (30) percent of their gross income for housing, which includes utilities for rental properties.

2. *"Alley"* shall mean a vehicular driveway located to the rear of lots providing access to service areas and parking, and containing utility easements. Alleys should be paved from building face to building face, with drainage by inverted crown at the center or with roll curbs at the edges.

3. *"Block"* shall mean an aggregate of private lots, passages, rear lanes and alleys, circumscribed by thoroughfares.

4. *"Façade"* shall mean the exterior wall of a building that is set along a frontage line.

5. *"Frontage Line"* shall mean lot lines that coincide with a public frontage. Facades along frontage lines define the public realm and are therefore more regulated than the elevations that coincide with other lot lines.

6. *"Liner Building"* shall mean a building specifically designed to mask a parking lot or a parking garage from a frontage.

7. *"Parking Structure"* shall mean a building containing two or more stories of parking. Parking structures shall have liner buildings for the full height of the parking structure.

8. *"Pedestrian Oriented Design"* shall mean the design of community neighborhoods, streetscapes, sites, and buildings that emphasizes pedestrian access, comfort, and visual interest. Transit-Oriented Design that includes design and intensity of land use to support transit in addition to pedestrians.

9. *"Plaza"* shall mean a public open space at ground level wholly or partly enclosed by a building or buildings. It is continuously accessible to the public and has openings to the sky.

10. *"Rowhouse"* shall mean a single-family dwelling that shares a party wall with

another of the same type and occupies the full frontage line.

11. "*Square*" shall mean an open space available for unstructured recreation and civic purposes. A square is spatially defined by building frontages. Its landscape shall consist of paths, lawns and trees, formally disposed. Squares shall be located at the intersection of important thoroughfares. The minimum size shall be 1 acre and the maximum shall be 5 acres.

12. "*Streetscape*" shall mean the urban element that establishes the major part of the public realm. The streetscape is composed of thoroughfares (travel lanes for vehicles and bicycles, parking lanes for cars, and sidewalks or paths for pedestrians) as well as the visible private frontages (building facades and elevations, porches, yards, fences, awnings, etc.) and the amenities of the public frontages (street trees and plantings, benches, streetlights, etc.).

13. "*Transit Oriented Development*" shall mean a development pattern characterized by a mix of uses surrounding a transit platform where streets have a high level of connectivity, blocks are small, and streetscape, buildings, and uses cater to the pedestrian.

14. "*Transit Park and Ride*" shall mean a facility designed for the temporary parking of automobiles, the occupants of which transfer to public transit or other automobiles to continue their trips.

E. Flood Plain Management Definitions. For the purposes of Section 614 of this Code, the following definitions shall apply:

1. "*Base Flood*" shall mean the flood having a one percent chance of being equaled or exceeded in any given year.

2. "*Base Flood Elevation (BFE)*" shall mean the height of the base flood, usually in feet, in relation to the National Geodetic Vertical Datum of 1929, the North American Vertical Datum of 1988, or other datum referenced in the Flood Insurance Study report, or average depth of the base flood, usually in feet, above the ground surface.

3. "*Basement*" shall mean any area of the building having its floor elevation subgrade (below ground level) on all sides.

4. "*Existing Manufactured Home Park or Subdivision*" shall mean a manufactured home park or subdivision for which the construction of facilities for servicing the lots on which the manufactured homes are to be affixed (including, at a minimum, the installation of utilities, the construction of streets, and either final site grading or the pouring of concrete pads) is completed before the effective date of the floodplain management regulations adopted by a community.

5. "*Expansion to an Existing Manufactured Home Park or Subdivision*" shall mean the preparation of additional sites by the construction of facilities for servicing the lots on which the manufacturing homes are to be affixed (including the installation of utilities, the construction of streets, and either final site grading or the pouring of concrete pads).

6. "*Flood*" shall mean either:

(a) A general and temporary condition of partial or complete inundation of normally dry land areas from: the overflow of inland or tidal waters; the unusual and rapid accumulation or runoff of surface waters from any source; and mudslides which are proximately caused by flooding and are akin to a river of liquid and flowing mud on the surfaces of normally dry land areas, as when earth is carried by a current of water and deposited along the path of the current; **or**

(b) The collapse or subsidence of land along the shore of a lake or other body of

water as a result of erosion or undermining caused by waves or currents of water exceeding anticipated cyclical levels or suddenly caused by an unusually high water level in a natural body of water, accompanied by a severe storm, or by an unanticipated force of nature, such as flash flood or abnormal tidal surge, or by some similarly unusual and unforeseeable event which results in flooding.

7. *"Flood Insurance Rate Map (FIRM)"* shall mean an official map of a community, on which the Federal Insurance Administrator has delineated both the special hazard areas and the risk premium zones applicable to the community.
8. *"Flood Insurance Study"* shall mean an examination, evaluation and determination of flood hazards and, if appropriate, corresponding water surface elevations or an examination, evaluation and determination of mudslide (i.e., mudflow) and /or flood related erosion hazards.
9. *"Floodplain or Flood-Prone Area"* shall mean any land area susceptible to being inundated by water from any source (see definition of "flood").
10. *"Flood Proofing"* shall mean any combination of structural and non-structural additions, changes, or adjustments to structures which reduce or eliminate flood damage to real estate or improved real property, water and sanitary facilities, structures and their contents.
11. *"Floodway"* shall mean the channel of a river or other watercourse and the adjacent land areas that must be reserved in order to discharge the base flood without cumulatively increasing the water surface elevation more than one foot at any point.
12. *"Historic Structure"* shall mean any structure that is:
 - (a) Listed individually in the National Register of Historic Places (a listing maintained by the Department of the Interior) or preliminarily determined by the Secretary of the Interior as meeting the requirements for individual listing on the National Register; or
 - (b) Certified or preliminarily determined by the Secretary of the Interior as contributing to the historical significance of a registered historic district or a district preliminarily determined by the Secretary to qualify as a registered historic district; or
 - (c) Individually listed on a state inventory of historic places in states with historic preservation programs which have been approved by the Secretary of the Interior; or
 - (d) Individually listed on a local inventory of historic places in communities with historic preservation programs that have been certified either:
 - (i) By an approved state program as determined by the Secretary of the Interior; or
 - (ii) Directly by the Secretary of the Interior in states without approved programs.
13. *"Legislative Body"* shall mean the selectboard in the case of a town, the trustees in the case of an incorporated village, and the mayor, alderpersons, and city council members in the case of a city, and the supervisor in the case of an unorganized town or gore.
14. *"Lowest Floor"* shall mean the lowest floor of the lowest enclosed area, including basement. An unfinished or flood resistant enclosure, usable solely for parking of vehicles, building access or storage in an area other than a basement area is not considered a building's lowest floor; provided, that such enclosure is not built so as to render the structure in violation of the applicable non-elevation design requirements of 44

CFR 60.3.

15. *"Manufactured Home"* shall mean a structure, transportable in one or more sections, which is built on a permanent chassis and is designed for use with or without a permanent foundation when attached to the required utilities. The term "manufactured home" does not include a "recreational vehicle".

16. *"Manufactured Home Park or Subdivision"* shall mean a parcel (or contiguous parcels) of land divided into two or more manufactured home lots for rent or sale.

17. *"New Construction"* shall mean, for the purposes of determining insurance rates, structures for which the "start of construction" commenced on or after the effective date of an initial FIRM or after December 31, 1974, whichever is later, and includes any subsequent improvements to such structures. For floodplain management purposes, *new construction* means structures for which the *start of construction* commenced on or after the effective date of the floodplain management regulation adopted by a community and includes any subsequent improvements to such structures.

18. *"New Manufactured Home Park or Subdivision"* shall mean a manufactured home park or subdivision for which the construction of facilities for servicing the lots on which the manufactured homes are to be affixed (including at a minimum, the installation of utilities, the construction of streets, and either final site grading or the pouring of concrete pads) is completed on or after the effective date of the floodplain management regulations adopted by a community.

19. *"Recreational Vehicle"* shall mean a vehicle which is:

- (a) Built on a single chassis; or
- (b) Four hundred (400) square feet or less when measured at the largest horizontal projection; or
- (c) Designed to be self-propelled or permanently towable by a light duty truck; or
- (d) Designed primarily not for use as a permanent dwelling but as temporary living quarters for recreational, camping, travel, or seasonal use.

20. *"Special Flood Hazard Area"* shall mean the land in the floodplain within a community subject to a 1 percent or greater chance of flooding in any given year. The area may be designated a Zone A on the Flood Hazard Boundary Map (FHBM). After detailed ratemaking has been completed in preparation for publication of the Flood Insurance Rate Map (FIRM), Zone A usually is refined into Zones A, AO, AH, A1-30, AE, A99, AR, AR/AI-30, AR/AE, AR/AO, AR/AH, AR/A, VO or V1-30, VE, or V. For purposes of these regulations, the term "special flood hazard area" is synonymous in meaning with the phrase "area of special flood hazard".

21. *"Start of Construction"* includes substantial improvement, and shall mean the date the building permit was issued, provided the actual start of construction, repair, reconstruction, rehabilitation, addition placement, or other improvement was within 180 days of the permit date. The actual start means either the first placement of permanent construction of a structure on a site, such as the pouring of slab or footings, the installation of piles, the construction of columns, or any work beyond the stage of excavation; or the placement of a manufactured home on a foundation. Permanent construction does not include land preparation, such as clearing, grading and filling; nor does it include the installation of streets and/or walkways; nor does it include excavation for a basement, footing, piers, or foundations or the erection of temporary forms; nor does it include the installation on the property of accessory buildings, such as garages or sheds not occupied as dwelling units or not part of the main structure. For a substantial improvement, the actual start of construction means the first alteration of any wall,

ceiling, floor, or other structural part of a building, regardless whether that alteration affects the external dimensions of the building.

22. *"Structure"* shall mean, for floodplain management purposes, a walled and roofed building, including a gas or liquid storage tank that is principally above ground, as well as a manufactured home. *Structure*, for insurance purposes, means:

- (a) A building with two or more outside rigid walls and a fully secured roof, which is affixed to a permanent site;
- (b) A manufactured home; or
- (c) A travel trailer without wheels, built on a chassis and affixed to a permanent foundation, that is regulated under the community's floodplain management and building ordinances or laws.

For the latter purpose, "structure" does not mean a recreational vehicle or a park trailer or other similar vehicle, except as described in (c) of this definition, or a gas or liquid storage tank.

23. *"Substantial Damage"* shall mean damage of any origin sustained by a structure whereby the cost of restoring the structure to the before damaged conditions would equal or exceed 50 percent of the market value of the structure before the damage occurred.

24. *"Substantial Improvement"* shall mean any reconstruction, rehabilitation, addition, alteration or other improvement of a structure, during any 5 year period, the cumulative cost of which equals or exceeds fifty (50) percent of the market value of the structure before the "start of construction" of the improvement. This term includes structures which have incurred "substantial damage", regardless of the actual repair work performed. The term does not, however, include any project for improvement of a structure to correct existing violations of state or local health, sanitary, or safety code specification which have been identified by the state or local code enforcement official and which are the minimum necessary to ensure safe conditions, or any alteration of a "historic structure" provided that the alteration will not preclude the structure's continued designation as a "historic structure".

25. *"Violation"* shall mean the failure of a structure or other development to be fully compliant with the community's floodplain management regulations. A structure or other development without the elevation certificate, other certifications, or other evidence of compliance required in 44 CFR 60.3 is presumed to be in violation until such time as that documentation is provided.

F. Sewer Regulation Definitions. For the purpose of Chapter 11 of the Code, the following special definitions shall apply:

1. *"Biochemical Oxygen Demand (BOD)"* shall mean the quantity of oxygen utilized in the biochemical oxidation of organic matter under standard laboratory procedure in five (5) days at twenty (20) Celsius, expressed in milligrams per liter.
2. *"Building Drain"* shall mean that part of the lowest horizontal piping of a drainage system which receives the discharge from soil, waste, and other drainage pipes inside the walls of the building and conveys it to the building sewer, beginning five (5) feet (1.5 meters) outside the inner face of the building wall.
3. *"Building Sewer"* shall mean the extension from the building drain to the public sewer or private sewer or other place of disposal. Each building sewer is a private line and must be maintained by the property owner.
4. *"Combined Sewer"* shall mean a sewer receiving both surface runoff and sewage.
5. *"Garbage"* shall mean solid wastes from the domestic and commercial

preparation, cooking, and dispensing of food, and from the handling, storage, and sale of produce.

6. *"Industrial Wastes"* shall mean liquid or gaseous wastes from industrial manufacturing processes, trade, or businesses as distinct from sanitary sewage.
7. *"Natural Outlet"* shall mean an outlet into a water-course, pond, ditch, lake, or other body of surface or ground water.
8. *"Person"* shall mean any individual, firm, company, association, society, corporation, or group.
9. *"pH"* shall mean the logarithm of the reciprocal of the weight of hydrogen ions in grams per liter of solution.
10. *"Properly Shredded Garbage"* shall mean the wastes from the preparation, cooking, and dispensing of food that have been shredded to such a degree that all particles will be carried freely under the flow conditions normally prevailing in public sewers with no particle greater than one-half (½) inch (1.27 centimeters) in any dimension.
11. *"Public Sewer"* shall mean a sewer in which all owners have equal rights which is controlled by public authority.
12. *"Sanitary Sewer"* shall mean a sewer which carries sewage not including storm, surface, and ground waters.
13. *"Sewage"* shall mean a combination of the water-carried wastes from residences, business buildings, institutions, and industrial establishments, together with such ground, surface, and storm waters as may be present.
14. *"Sewage Treatment Plant"* shall mean any arrangement of devices and structures used for treating sewage.
15. *"Sewage Works"* shall mean all facilities for collecting, pumping, treating, and disposing of sewage.
16. *"Sewer"* shall mean a pipe or conduit for carrying sewage.
17. *"Slug"* shall mean any discharge of water, sewage, or industrial waste which in concentration of any given constituent or in quantity of flow exceeds for any period of duration longer than fifteen (15) minutes, more than five (5) times the average twenty-four (24) hour concentration or flows during normal operation.
18. *"Storm Drain or Storm Sewer"* shall mean a sewer which carries storm and surface water and drainage, but excludes sewage and industrial wastes, other than unpolluted cooling water.
19. *"Superintendent"* shall mean the manager of the Sewage Department or his authorized deputy, agent or representative.
20. *"Suspended Solids"* shall mean solids that either float on the surface of, or are suspended in water, sewage, or other liquids, and which are removable by laboratory filtering.
21. *"Water-Course"* shall mean a channel in which a flow of water occurs, either continuously or intermittently.
22. *"Secretary"* shall mean the Secretary of the Agency of Natural Resources, State of Vermont, or his representatives.

G. Sign Regulation Definitions. For the purposes of Section 714 of this Code, the following special definitions shall apply:

1. *"Billboard"* shall mean an off-premises sign owned by a person, corporation, or other entity that engages in the business of selling the advertising space on that sign.

2. *"Directional sign"* shall mean a free-standing sign used at driveway entrances to direct traffic flow which includes no advertising or logos.
3. *"Electronic Message Board"* shall mean a sign with a message copy or other display that is produced and periodically changed electronically or electrically that is attached to another sign, or to the support structure. The message copy or display shall be limited to public service announcements, time and temperature, and goods or services available on the premises, and shall consist of words, letters, numbers and punctuation only. Illumination shall be of a constant intensity, and shall not blink, flash or give the appearance of movement.
4. *"Facade"* shall mean the principal face of a building, usually facing the street and/or containing a public entrance.
5. *"Natural Causes"* shall mean those causes which occur naturally in nature, such as wind, rain or earthquakes. Natural deterioration caused by rot or rust or damage caused by human actions shall not be considered a natural cause.
6. *"Replacement Cost"* shall mean the estimated total cost of replacement, at fair market rates, with the same or similar materials, by a professional contractor.
7. *"Sign"* shall mean any device that is visible to persons not located on the lot where such device is located and designed to attract the attention of such persons or to communicate information to them.
8. *"Sign, Alteration"* shall mean any repairs or replacement of any part of a sign including its support structure except for repainting. Changing messages on a permanent display area of a sign designed for periodic changing of messages is not regarded as an alteration.
9. *"Sign, Facing or Face"* shall mean the surface of a sign board, background area, and structural trim through which a message is displayed or illustrated.
10. *"Sign, Free-Standing"* shall mean a sign that is permanently attached to, erected on, or supported by an independent structure which is not an integral part of or attached to a building or other structure. If the message is removed from a structure originally designed and used as a freestanding sign, this structure shall be considered a sign.
11. *"Sign, Government"* shall mean any traffic control, directional, or informational sign placed on any parcel or in the right-of-way for the purpose of protecting the general public health, safety, or welfare.
12. *"Sign, Grand-Opening"* shall mean a temporary sign used to announce the opening of new businesses which have been closed more than seven (7) days and are re-opening. Changes in management or ownership do not qualify under this definition.
13. *"Sign, Ground"* shall mean a permanent, free-standing sign located on or close to the ground.
14. *"Signs, Internally Illuminated"* shall mean signs where the source of the illumination is inside the sign and light emanates through the message of the sign. Signs which are filled with neon or other gas that glows shall be considered internally illuminated signs.
15. *"Sign, Off-Premises"* shall mean a sign that draws attention to or communicates information about a business, service, commodity, accommodation, attraction, or other enterprise or activity that exists or is conducted, sold, offered, maintained, or provided at a location other than the premises on which the sign is located. Signs which draw attention to causes or proclaim political, religious, or other non-commercial messages shall also be an off-premises sign.
16. *"Sign Permit"* shall mean a permit issued which authorizes the recipient to erect,

move, enlarge or alter a sign.

17. *"Sign, Permanent"* shall mean any sign as defined herein, permanently affixed to a building or the ground.

18. *"Sign, Portable"* shall mean a free-standing sign not permanently affixed, anchored or secured to the ground or structure on the lot it occupies, including trailered signs.

19. *"Sign, Projecting"* shall mean any sign which is attached to a building or other structure and which projects from the wall or roof surface of that portion of the building or structure to which the sign is attached.

20. *"Sign, Roof"* shall mean a sign on a roof that has a pitch of less than one-to-four. Signs on a roof with a pitch of greater than one-to-four shall be considered a wall sign.

21. *"Sign, Wall"* shall mean a permanent sign securely affixed to and parallel to the face of a wall of a building.

22. *"Sign, Window"* shall mean signs painted or posted on any glass or translucent surfaces.

23. *"Sign, On-Premises"* shall mean a sign that draws attention to or communicates information about a business, service, commodity, accommodation, attraction, enterprise or activity that exists or is conducted, offered, sold, maintained, or provided on the lot where the sign is located.

24. *"Sign, Temporary"* shall mean a sign which is used in connection with an event that is designed, intended, or expected to take place or to be completed within a short or definite period. If a sign display area is permanent but the message displayed is subject to periodic changes, that sign shall not be regarded as temporary

H. Stormwater Regulation Definitions. For the purposes of Section 713 of the Code, the following special definitions shall apply:

1. *"Alter"* shall mean any site activity that measurably changes the ability of the ground surface area to absorb water or will change existing surface drainage patterns. Alter may also be represented as the alteration of drainage characteristics or conducting any activity that disturbs the land.

2. *"Best Management Practices" (BMP)* shall mean any structural or non-structural site improvements that are recognized to be the most effective and practical means to prevent and/or reduce increases in stormwater volumes and flows, reduce point and non-point source pollution and promote stormwater quality improvement with protection to the environment. *"Structural"* BMPs are devices engineered and constructed to provide treatment and temporary storage of stormwater runoff. *"Non- Structural"* BMPs use natural measures involving site characteristics to reduce the volume of stormwater or eliminating the source of the pollutant. Non-structural BMPs do not require extensive construction effort in order to promote pollutant reduction.

3. *"Erosion and Sediment Control Plan"* shall mean a plan that indicates the specific measures and their sequencing for use to control sediment and erosion on a development site during and after construction.

4. *"Existing Development"* shall mean a development that was built prior to the effective date of the adoption of this Code.

5. *"Illicit Connection"* shall mean either of the following:

(a) Any drain or conveyance, whether on the surface or subsurface, which allows an illegal discharge to enter the storm drain system including, but not limited to, any conveyances which allow any non-storm water discharge including sewage,

process wastewater, and wash water to enter the storm drain system and any connections to the storm drain system from indoor drains and sinks, regardless of whether said drain or connection had been previously allowed, permitted, or approved by an authorized enforcement agency.

(b) Any drain or conveyance connected from a commercial or industrial land use to the storm drain system which has not been documented in plans, maps, or equivalent records and approved by an authorized state agency or by the Village of Essex Junction.

6. "*Illicit Discharge*" shall mean any direct or indirect non-stormwater discharge to the storm drain system, except as may be exempted under Section 713 of the Code.
7. "*Impervious Cover*" shall mean human-made surfaces including, but not limited to, paved and unpaved roads, parking areas, building roofs, driveways (paved and unpaved) walkways and compacted surfaces, including lawn areas compacted by heavy vehicle or pedestrian traffic, from which precipitation and run off rather than infiltrates. For purposes of this section, decks that allow water through to the ground below shall not be considered impervious cover. Pervious pavement designed per this Code and manufacturer's specifications for cold northeastern regions shall be acceptable and will not be exempt.
8. "*Infiltration*" shall mean the process through which stormwater runoff penetrates into soil from the ground surface.
9. "*Maintenance Agreement*" shall mean a legally recorded document that acts as a property deed restriction and provides for long-term maintenance of stormwater management practices.
10. "*MS4*" shall mean the Municipal Separate Storm Sewer System.
11. "*New Development*" shall mean the construction of new impervious surfaces on a tract or tracts of land occurring after the effective date of this Code.
12. "*Non-Stormwater Discharge*" shall mean any discharge to the storm drain system that is not composed entirely of storm water.
13. "*Pollutant*" shall mean anything which causes or contributes to pollution. Pollutants may include, but are not limited to: paints, varnishes, solvents; oil and other automotive fluids; non-hazardous liquid and solid wastes and yard wastes; refuse, rubbish, garbage, litter, or other discarded or abandoned objects, ordinances, and accumulations, so that same may cause or contribute to pollution; floatables; pesticides, herbicides, and fertilizers; hazardous substances and wastes; sewage, or other wastes containing fecal coliform and pathogens; dissolved and particulate metals; animal wastes; wastes and residues that result from constructing a building or structure; and noxious or offensive matter of any kind.
14. "*Redevelopment*" shall mean in the context of stormwater, any construction, alteration, or improvement exceeding ten thousand (10,000) square feet on previously developed land.
15. "*Riparian Buffer*" shall mean the width of land adjacent to lakes or streams between the top of the bank or top of slope for streams and the edge of allowed project activity. Riparian buffer zones are typically undisturbed areas consisting of trees, shrubs, groundcover plants, duff layer, and naturally vegetated uneven ground surfaces, that protect the water body, the shoreline and the adjacent riparian corridor ecosystem from the impact of land development. See Section 516 of this Code.
16. "*Runoff*" shall mean drainage or flood discharge that leaves an area as surface flow or as pipeline flow that has reached a channel or pipeline by either surface or sub-

surface routes.

17. "*Sediment*" shall mean soil, sand, and minerals washed from land into water, usually after rain. Sediment can destroy fish nesting areas, clog animal habitats, and cloud water so that sunlight does not reach aquatic plants.

18. "*Stormwater*" shall mean any surface flow, runoff, and drainage consisting entirely of water from any form of natural precipitation, and resulting from such precipitation.

19. "*Stormwater Management*" shall mean the use of structural or non-structural practices that are designed to reduce stormwater runoff pollutant loads, discharge volumes, and/or peak flow discharge rates.

20. "*Stormwater System*" shall mean storm sewers; outfall sewers; surface drains; natural and manmade wetlands; channels; ditches; wet and dry bottom basins; rain gardens; and other control equipment necessary and appurtenant to the collection, transportation, conveyance, pumping, treatment, disposal, and discharge of regulated stormwater runoff.

21. "*TMDL*" shall mean Total Maximum Daily Limit as established by the State of Vermont Water Quality Division for management and restoration of impaired waterways. TMDLs are contained within applicable impaired watersheds that have been determined to not meet water quality criteria under Section 303d of the Clean Water Act.

22. "*Vermont Stormwater Management Manual – Volumes I and II (as amended)*" shall mean the guidance manual referenced in this Code that includes regulatory requirements for the management of stormwater and technical guidance to assist in the design of stormwater treatment systems.

I. Riparian Buffer District Definitions. For the purposes of Section 516 of the Code, the following special definitions shall apply:

1. "*Riparian Buffer*" shall mean a vegetated area, including trees, shrubs and herbaceous vegetation, which exists or is established to protect a stream or wetland. Alteration of this natural area is strictly limited. The buffer setback is defined as the horizontal distance from a stream bank or channel, shoreline or wetland area, to the nearest part of a building, structure or impervious surface on the property.

2. "*Non-Point Source Pollution*" shall mean pollution which is generated by various land use activities rather than from an identifiable or discrete source, and is conveyed to waterways through natural processes, such as rainfall, stormwater runoff, or ground water seepage rather than direct discharge. This may include surface run off from individual sites or properties.

3. "*Stream*" shall mean the full length and width, including the bed and banks, of any moving watercourse including creeks, brooks, rivers, branches, and kills. A stream has a channel, whether natural or artificial, that periodically or continuously contains moving water, has a defined bed, and has banks that serve to confine water at low to moderate flows. Streams include intermittent streams that have a defined channel and evidence of sediment transport, even if such streams do not have surface water flow throughout the year and/or throughout the channel.

4. "*Stream Banks*" shall mean the physiographic features that normally contain streams within a channel. The bank is distinct from the streambed, which is normally wetted and provides a substrate that supports aquatic organisms.

5. "*Top of Bank*" shall mean the point along a streambank where an abrupt change in slope is evident, and where the stream is generally able to overflow the banks and enter

the adjacent floodplain during flows at or exceeding the average annual high water stage.

6. "*Top of Slope*" shall mean a break in slopes adjacent to steep-banked streams that have little or no floodplain.

7. "*Wetlands*" shall mean lands that are inundated or saturated by surface water or groundwater with a frequency sufficient to support significant vegetation or aquatic life that depend on saturated or seasonally saturated soil conditions for growth and reproduction. Such areas include but are not limited to: marshes, swamps, sloughs, potholes, river and lake overflows, mud flats, fens, bogs, and ponds. These areas are directly regulated under the State of Vermont and Federal regulations directly relating to wetland classification and delineation.

SECTION 202: GENERAL RULES. The rules as set forth in this Section shall apply to any interpretation of this Code unless specifically limited or altered by a specific provision of this Code or a Court of competent jurisdiction.

A. Generally. All provisions, terms, phrases or expressions shall be liberally construed in order that the true intent and meaning of the Commission and Trustees is met.

B. Gender. Words which are in the masculine gender shall be construed to include the feminine and neuter.

C. Number. Words used in the singular may include the plural and words in the plural may include the singular. All interpretations shall include the context in which the words are used.

D. Tense. Words in the past or present tense include the future as well as the past or present.

E. Year. The word year shall mean a calendar year unless otherwise indicated.

F. Shall; Should; May; Will; Includes. The word "shall" is mandatory; the word "may" is authorized but not required, the word "should" is desirable, but not mandatory; the word "includes" shall not limit a term to a specific example or series of examples, but is intended to extend its meaning to all other circumstances or examples of like kind or character.

CHAPTER 3: DECISION MAKING AND ADMINISTRATIVE BODIES

SECTION 301: BOARD OF TRUSTEES. The duly elected Village Board of Trustees shall have all the authority granted it by general law of the State of Vermont and the Village Charter, including, but not limited to, the following:

- A. To adopt the Comprehensive Plan and any amendments thereto.
- B. To adopt the Village of Essex Junction Land Development Code and any amendments thereto.
- C. To appoint the members of the Board of Adjustment and Planning Commission, as specified herein.
- D. To establish reasonable fees as necessary to administer the Land Development Code.
- E. To act pursuant to Section 506 on requests for waivers from the noise standards in Section 718.
- F. To act as a Board of Sewer Commissioners as necessary to administer the requirements of Chapter 11.
- G. To act as a Board of Water Commissioners as necessary to administer the requirements of Chapter 14.
- H. To act and approve requests regarding access to Rights-of-way and curb cuts pursuant to Sections 509 and 705.

SECTION 302: PLANNING COMMISSION

A. Creation. The Planning Commission shall be that body created by the Board of Trustees pursuant to 24 V.S.A. §§4321(a) and 4322.

B. Powers and Duties. The Planning Commission shall have all powers granted municipal planning commissions under the general laws of the State of Vermont, including, but not limited to, the following:

- 1. To provide recommendations and advice to the Trustees on issues specified in this Code or as requested by the Trustees.
- 2. To prepare, cause to be prepared, or review any amendments to the Comprehensive Plan or this Land Development Code.
- 3. To establish sub-committees to carry out its work.
- 4. To act pursuant to Section 511 on requests for Planned Developments.
- 5. To act pursuant to Section 502.I on requests for approval of Site Plans.
- 6. To act pursuant to Section 503 on requests for approval of Subdivisions.
- 7. To adopt rules of procedure for the implementation of this Code, for Staff reviews or approvals, and for the conduct and submission of evidence on any item before the Commission.
- 8. To perform any other duties which may be assigned to it.

C. Membership. Members of the Planning Commission shall be residents of Essex Junction. Members shall be selected by the Village Trustees and appointed for 3-year terms. The Commission shall have seven (7) members.

D. Qualifications. Members shall be appointed based upon their general knowledge of

planning, the process of development within the Village, and interest in local government. A majority of the Commission may not be employed by the same employer. All applicants shall advise the Trustees of all potential conflicts of interest upon consideration for an appointment.

E. Officers. The Commission shall annually elect a Chair and Vice-Chair and may create and fill other offices as deemed necessary. The Chair shall have the authority to appoint Committees as deemed necessary.

F. Quorum. No meeting of the Commission shall be called to order, nor shall any business be transacted by the Commission, without a quorum consisting of four (4) members being present. Meetings deferred due to lack of a quorum shall be continued to a date specified by the Chair.

G. Decisions. Decisions shall be made by the Commission by an affirmative vote of a majority of the members present, except that when the Commission is serving in its quasi-judicial capacity (i.e. site plan or subdivision approval) a decision shall require an affirmative vote by a majority of the total Commission membership, as required by Statute.

SECTION 303: BOARD OF ADJUSTMENT

A. Creation. The Board of Adjustment shall be that body created by the Board of Trustees pursuant to 24 V.S.A. §4461.

B. Powers and Duties. The Board of Adjustment shall have all powers granted such boards under the general laws of the State of Vermont, including, but not limited to the following:

1. To act pursuant to Section 502.C on requests for approval of conditional uses.
2. To review decisions of the Administrative Officer pursuant to Chapter 17.
3. To act pursuant to Chapter 17 to review requests for variances from the requirements of Chapters 6 and 7.
4. To perform other responsibilities as may be specified by Vermont Statutes.

C. Membership. Members of the Zoning Board of Adjustment shall be residents of Essex Junction. Members shall be selected by the Village Trustees and appointed for 3-year terms. The Board shall have five (5) members.

D. Qualifications. Members shall be appointed based upon their general knowledge of planning, the process of development within the Village, and interest in local government. A majority of the Board may not be employed by the same employer. All applicants shall advise the Trustees of potential conflicts of interest upon consideration for an appointment.

E. Officers. The Board shall annually elect a Chair and Vice-Chair and may create and fill other offices as it deems necessary.

F. Quorum. No meeting of the Board shall be called to order, nor shall any business be transacted by the Board, without a quorum consisting of three (3) members being present. Meetings deferred due to lack of a quorum shall be continued to a date specified by the Chair.

G. Decisions. As specified in Title 24, Chapter 117, Section 4462 of Vermont Statutes, any action taken by the Board shall be taken by the concurrence of a majority of the Board.

SECTION 304: COMMUNITY DEVELOPMENT DEPARTMENT

A. Composition. There shall be a Community Development Department headed by a Community Development Director. The individual designated by the Village Manager to act as Administrative Officer shall be a member of the Community Development Department.

B. Duties and Responsibilities of the Community Development Department.

1. To accept and review all applications as specified herein.
2. To provide recommendations to the Trustees, Commission and Zoning Board as specified herein.
3. To provide assistance to all applicants for any development approvals required by this Code.
4. To represent the Commission at meetings, hearings, conferences and workshops as directed.
5. To complete other tasks as assigned by the Commission.

C. Duties of the Community Development Director.

1. To determine whether proposed development activities require review pursuant to §503 regarding subdivisions.
2. To supervise the activities of the Community Development Department.

D. Duties of the Administrative Officer.

1. To act pursuant to §502.A. on requests for approval of Zoning Permits.
2. To act pursuant to §502.A.1. to determine what review is required prior to issuance of a Zoning Permit.
3. To act pursuant to §502.B. on requests for approval as a Permitted Use.
4. To act pursuant to §502.G. on requests for approval of Home Occupations.
5. To act pursuant to §502.D. on requests for approval of Temporary Uses.
6. To act pursuant to §502.H. on requests for approval of Signs.
7. To act pursuant to §502.I. on requests for approval of Accessory Apartments.
8. To act to initiate enforcement proceedings for any violation of Chapters 6 or 7.
9. To undertake such other actions as are directed by the Community Development Director.

SECTION 305: PUBLIC WORKS SUPERINTENDENT The individual appointed by the Village Manager to head the Village Public Works Department which is responsible for Village streets and parking lots, the Village storm water system, the Village water supply system and the Village sewage disposal system.

CHAPTER 4: REGULATION OF LAND USE ACTIVITIES

SECTION 401: APPROVALS REQUIRED. No person shall commence any of the following activities without first obtaining the required approval from the Village. Any building permit may be subject to additional state or federal permits.

- A. Approval required for the construction, demolition, or alteration of any structure, the making of any material change in the use of any structure or land, the making of a change in the intensity of use of a structure or land, or the filling of land pursuant to Section 502.
- B. Approval required for the division of land into two (2) or more lots, parcels, sites, plots, units or interests for the purpose of sale.
- C. Approval required for uncovering or making any connections with or openings into, or using, altering, or disturbing any public sewer or appurtenance thereof, or proposing a new discharge into a public sewer or a substantial change in the volume or character of pollutants that are being discharged into such sewer pursuant to Section 504.
- D. Approval required for construction of a private sewage disposal system or private sewer or connection to any such system pursuant to Section 505.
- E. Approval required for uncovering or making any connections with or openings into, or using, altering, or disturbing any public water line or appurtenance thereof pursuant to Section 507.
- F. Approval required for construction of a private water supply or private water line or connection to any such supply or line pursuant to Section 508.
- G. Approval required for opening, constructing, or reconstructing any driveway, entrance, or approach into a public road right-of-way; obstructing, altering, or changing a ditch, culvert, or drainage course that drains a public roadway; depositing material or placing improvements in a public right-of-way; or altering lands adjacent to a public right-of-way to divert surface waters onto the right-of-way pursuant to Section 509.
- H. A Certificate of Occupancy for the construction of a new building or the alteration of an existing building which is vacant during the process of alteration pursuant to Section 510.

SECTION 402: PROHIBITED ACTIVITIES.

- A. The creation of sound that exceeds the standards set forth in Chapter 7.

SECTION 403: EXEMPT ACTIVITIES.

- A. Activities lawfully existing on the date this Code becomes effective may continue unless specifically provided otherwise herein, or as this Code is hereafter amended.
- B. Remodeling the interior of any residential dwelling provided that no alteration to the

exterior of the structure is proposed and there is no increase in dwelling units.

- C. Remodeling of the interior of any commercial structure if there is no change in use nor increase in space utilized for business purposes.
- D. Exterior maintenance work on any structure which does not increase the dimensions of the structure at any point.
- E. Routine maintenance and repair of public facilities.

SECTION 404: EFFECT OF PRIOR APPROVALS.

- A. The provisions of this Code shall not affect development for which specific approval has been granted under previous Ordinances, provided that development has commenced within one (1) year of the effective date of this Code.
- B. An application for subdivision which has received Sketch Plan and Preliminary Plat approval shall not be required to meet the standards of this Code if application for Final Plat approval is received within six (6) months of the effective date of this Code.

CHAPTER 5: DEVELOPMENT REVIEW PROCEDURES

This Chapter establishes procedures for review of any activity that requires approval under the Land Development Code.

SECTION 501: PROCEDURES OF GENERAL APPLICABILITY

- A. Pre-Application Conference. Prior to submittal of an application for any development, the applicant should schedule a pre-application conference with Staff. Staff shall review the proposal, identify required permits or approvals, and advise the applicant of necessary application materials.
- B. Filing of Applications. All applications requiring a public meeting or hearing must be received and determined complete forty-five (45) days prior to a scheduled meeting and shall be submitted on forms provided by the Community Development Department. Supplemental materials shall be attached to the form as required. Once an application is submitted to the Community Development Department for review, and a public meeting or hearing has been warned, any additional information must be submitted at least 10 days prior to the public meeting or hearing. In addition, no changes which significantly alter the concept of the project may be made once an application has been submitted and any changes must be reviewed by staff prior to Planning Commission consideration. Applications shall not be accepted for review by the Community Development Department, if outstanding zoning violations exist on the property.
- C. Determination of Completeness. Within ten (10) working days after an application form for development approval has been received, the Community Development Department shall determine whether the application is complete. If Staff determines that the application is incomplete, Staff shall notify the applicant in writing of the deficiencies. This provision shall not apply to applications for Temporary Use Permits.
- D. Notice of Public Hearings and Public Meetings. Notice of public hearings or meetings required under this Code shall comply with this Section and with Vermont's Open Meeting Law (1 V.S.A. §§ 310-314) unless otherwise specified.
1. Published Notice. Notice for all public meetings with applications scheduled for review shall be published in a local newspaper of general circulation not less than seven (7) days prior to a scheduled meeting. No application shall be warned for a meeting or hearing, unless the application has been determined to be complete. Notice for all Public Hearings required under this Code shall be published not less than fifteen (15) days prior to the scheduled hearing in a local newspaper of general circulation pursuant to Section 4447 of Title 24 Chapter 117 of Vermont Statutes. All public notices shall include a description of the purpose of the application, hearing or meeting date, applicant, and time and location of hearing or meetings.
 2. Posted Notice. All scheduled hearings or meetings shall be posted on a bulletin board in three locations. One of the three notices for public hearings shall be posted within view of the public Right-of-Way most nearly adjacent to the property for which an application is made.
 3. Mailed Notice. Community Development Department staff shall mail notice to all property owners contiguous within one hundred fifty (150) feet of the project site impacted except as specified herein. If the proposed development is located on a private

street, notice shall also be sent to the owners of all properties having any rights of usage of the private street. All calculations to determine notice requirements shall exclude streets, rights of way, easements or streams. Prior to any public hearing or meeting, an applicant may request that the Commission waive the mailed notice requirement if the proposed development is located entirely on the interior of a lot and is located at least one hundred fifty (150) feet from any property line. Such a waiver shall not be granted for any subdivision application.

4. **Property Notice.** All applicants for any development approval which requires public notice shall, no less than seven (7) days prior to the public hearing or meeting, post a sign on the property. Said sign shall be provided by the Community Development Department and shall indicate the date, time, location and purpose of the hearing or public meeting.

5. **Defects in Notice.** A defect in notice not caused by an intentional or negligent act or omission of the applicant shall not be grounds for a continuance of the hearing, nor in any way affect the action taken at such hearing.

E. Public Hearing Procedures:

1. **The Planning Commission shall meet two times each month on a pre-established meeting schedule, however, a meeting can be canceled on holidays or if there is nothing on the agenda.**

2. **Staff Report.** Staff shall present a summary of the application and provide recommendations.

3. **Applicant presentation.** The applicant may present evidence relevant to the application. Information not relevant to the application may be disallowed by the Chair.

4. **Public Input.** The hearing shall be opened for public comment. Public comment is restricted to the issue before the Zoning Board, Trustees or Commission. Information not relevant to the issue at hand may be disallowed by the Chair.

5. **Deliberations.** The Zoning Board, Trustees or Commission shall review the application, staff recommendations, public input, and all applicable laws or regulations prior to making a decision. The decision may be postponed until a subsequent meeting and deliberations may be made in executive session.

6. **Decisions.** The Zoning Board, Trustees or Commission shall make its decision on all applications in a public meeting or shall provide written findings as specified below.

(a) The Board shall make and issue written findings and conclusions supporting its decision on all applications before it.

(b) The Commission shall make and issue written findings and conclusions supporting its decision on any application before it. Minutes may suffice provided the factual bases and conclusions relating to the review standards are provided in conformance with this subsection.

(c) The Trustees, at their discretion, may make and issue written findings and conclusions supporting its decision on any application or appeal before it.

F. Public Meetings. Public meetings with no applications for development approval shall be posted in two public locations not less than 48 hours prior to the scheduled meeting. The Chair shall have the authority to schedule presentations, solicit public comment, and direct the meeting in an orderly fashion.

G. Computation of Time. The time within which an action is to be completed shall be

computed by excluding the first day and including the last day; if the last day is a Saturday, Sunday or legal Holiday, that day shall be excluded except as otherwise provided by Vermont Statutes.

SECTION 502: APPROVAL PROCEDURES FOR ACTIVITIES REQUIRING REVIEW UNDER CHAPTERS 6 AND 7

A. Zoning Permit Requirement. A zoning permit is required for the construction of any structure, the making of any material change in the use of any structure or land, the making of a change in the intensity of use of a structure or land, or the filling of land. For the purpose of this Code, the activities identified in this section are referred to as "development activities".

1. Approval Required. Issuance of a zoning permit shall require review and approval under one or more of the following review procedures, as determined by the staff:
 - (a) Permitted Use - Section 502.B
 - (b) Conditional Use - Section 502.C
 - (c) Temporary Use - Section 502.D
 - (d) Professional Office Development - Section 502.E
 - (e) Site Plans - Section 502.F
 - (f) Home Occupation - Section 502.G
 - (g) Signs - Section 502.H
 - (h) Accessory Apartments - Section 502.I
 - (i) Nonconforming Use - Section 502.J
 - (j) Noncomplying Structure - Section 502.K
 - (k) Existing Small Lots - Section 502.L
 - (l) Planned Unit Development (PUD) - Section 502.M
 - (m) Telecommunications – Section 502.N
 - (n) Master Plans – Section 502.O
2. Application Requirements. An application for a zoning permit shall include the following:
 - (a) A plan, drawn to scale, showing the dimensions of the lot and all structures, required set-backs and parking spaces.
 - (b) A description of the proposed use or uses of the land and structures and existing or proposed uses of adjacent lands.
 - (c) Any other information required by Staff to provide a clear understanding of the proposal.
 - (d) Applications or requests for all other permits or approvals which may be necessary (i.e. water and sewer connections).
3. Time Limitations:
 - (a) Staff shall act to approve or deny all permit applications within seven (7) days of receipt of a complete application. If, however, Staff determines that the application is incomplete or does not include evidence that all conditions established by the Commission or Board have been met, Staff shall notify the applicant in writing of deficiencies. If additional information or action to remedy the deficiencies is not received within seven (7) days of the notification, Staff shall deny the permit application.
 - (b) Special Extension. In unusual situations where Staff determines that additional research or legal opinion is necessary for complete review of the

application, Staff may extend the decision period for a period not to exceed twenty (20) days from the date of receipt of a complete application, and shall so notify the applicant in writing.

4. Approval Standards and Issuance of Permit. Staff shall issue a Zoning Permit upon determination that the applicant has obtained any approval required under Section 502.A.1 and has complied with any conditions of the approval(s) granted. Each permit shall indicate the time period within which an appeal may be taken (fifteen (15) days) and the following obligations of the permittee:
 - (a) To immediately post the permit on the property in a location visible from the street and to keep it posted until the development is complete.
5. Administrative Requirements. Upon issuance of a permit, Staff shall:
 - (a) Deliver a copy to the listers/assessor of the Town.
 - (b) Post a copy of the permit in at least one public place in the Village for a period of at least fifteen (15) days after the date of issuance of the permit.
6. Denial of permit application. If Staff determines the application does not satisfy the requirements of this Code, the application shall be denied and the applicant notified in writing stating the reasons for denial.
7. Appeals. Any interested person may appeal a decision of Staff regarding a Zoning Permit by filing an appeal in accordance with Section 1702 below.
8. Reapplication. A permit may be resubmitted at any time with required additions or corrections. If the re-submittal remedies all deficiencies, and is received within thirty (30) days of the initial denial, it shall be attached to the original application and no additional fee shall be required.
9. Expiration of Permits. A zoning permit shall expire one year from the date of issuance. If the applicant has commenced work, the permit may be extended without fees for an additional year if requested in writing prior to the date of expiration and may not be renewed again. If work is not completed after two years, the applicant will be required to obtain a new permit and pay all appropriate fees in place at the time the permit application is submitted.

B. Approval of Permitted Uses

1. Purpose. Permitted uses are considered to be appropriate within the District in which they are located. These uses are permitted "by right" subject to the required permits and procedures specified in this Code. Review of permitted uses involves a minimal degree of discretion and requires only administrative review to determine compliance with standards applicable to the particular permitted use.
2. Review Requirement. Development activities involving those uses identified as "Permitted Uses" are subject to review under the standards applicable to such uses. Permitted uses, within this code are the uses designated by an "X" on the Use Table set forth in Section 620.
3. Approval Standards. Staff shall review an application for a permitted use to determine if it meets the dimensional requirements of Chapter 6 and the development standards of Chapter 7. Approval will be granted if staff determines that the use meets such standards.
4. Expiration of Approval. A decision approving a permitted use shall expire six (6) months from the date of approval if a zoning permit is not issued within such six-month period.
5. Appeals. Any interested person may appeal a Staff decision regarding a permitted

use by filing an appeal in accordance with Section 1702.

C. Approval of Conditional Uses:

1. Purpose. To provide a review mechanism for uses which may be allowed in a District after review by the Zoning Board. A Conditional Use is not a permitted use and is allowed only upon specific action by the Board on a specific application.

2. Review Requirement. Development activities involving those uses identified as "Conditional Uses" are subject to review under the standards applicable to such uses. Conditional uses, within the meaning of this Code are those uses designated by a "C" on the Use Table set forth in Section 620, below.

3. Approval Standards:

(a) The proposed use will be consistent with the Comprehensive Plan.

(b) The proposed use will not adversely affect the character of the neighborhood.

(c) The proposed use will not be detrimental to adjoining properties.

(d) The proposed use will not negatively affect the public health, safety, or welfare.

(e) The design of the proposed use will minimize any potential adverse impacts.

(f) Specific standards for the proposed use as listed within Chapters 6 and 7 of this Code shall be met.

(g) The proposed use will not adversely affect traffic on streets in the vicinity of the project.

(h) The proposed use will not adversely affect the capacity of existing or planned public infrastructure.

(i) The proposed use will not adversely affect the utilization of renewable energy resources.

4. Conditional Use Application Requirements. Conditional use applications must include all submittal requirement listed in Section 502.I.4 for Site Plan Applications unless staff determines such information is not necessary.

5. Public Hearings. The Board shall convene a public hearing for consideration of all Conditional Use applications.

6. Action by the Zoning Board of Adjustment. The Board shall deny, approve or approve with conditions all applications within sixty (60) days of the closing of the public hearing. Failure to act within this period shall be deemed approval. The Board shall issue written findings and conclusions supporting its decision on all applications; and the decisions shall include any conditions or restrictions established to ensure that all standards will be met.

7. Expiration of Approval. A decision approving a conditional use shall expire one year from the date of approval if a zoning permit is not issued within such one year period.

8. Appeal. Any interested person may appeal a decision regarding conditional use by filing an appeal in accordance with Section 1706 below.

D. Approval of Temporary Uses

1. Purpose. Within any district there are uses that may be appropriate on a temporary or limited basis. It is the intent of this Code to allow these uses on a limited basis.

2. Review Requirement. Activities involving those uses identified as "Temporary Uses" are subject to review under the standards applicable to such uses. Temporary Uses

include: temporary activities authorized in the Planned Exposition District as specified in Section 612; activities identified as "temporary" in the land use table at Section 620; the temporary parking of a vehicle for sale in accordance with Section 703(I); the temporary parking of storage trailers and boxes in accordance with Section 703(J) and temporary outdoor commercial activities in accordance with Section 706(G); the temporary sale of personal goods at garage or yard sales in accordance with Section 706(M).

3. Application Requirements. All applications for a Temporary Use Permit shall be submitted on forms provided by the Community Development Department. The application shall include:

- (a) Description and location of the proposed use.
- (b) Proposed duration of the use, (including time needed to set up materials, stands, products, or any structures which are to be used.)
- (c) Location of any proposed signs.
- (d) A description and map of circulation and parking areas.
- (e) A description of the potential impact of the use on any public infrastructure or public services, including fire protection and police protection.

4. Approval Standards. Staff shall review all applications for Temporary Use Permits. Staff will issue permits upon finding that the application meets the requirements of applicable sections of this Code. Staff may place conditions upon any approval in the following areas:

- (a) Time limits may be established for any use.
- (b) Measures to ensure adequate parking, limit signs and traffic control.
- (c) The location of any proposed temporary use may be restricted for public safety purposes.
- (d) Conditions to ensure conformance with performance standards set forth in Section 718 and other applicable provisions of this Code.

5. Review Times. Staff shall review all applications for Temporary Use Permits within three (3) working days of receipt, excluding weekends and Holidays. This time limitation shall not apply if the application is incomplete.

6. Expiration of Permits. Permits shall expire as specified at the time of issuance. No time extensions shall be granted. Each activity shall require application for a new permit except as expressly provided herein.

7. Appeal of Denial. Any interested person may appeal a decision regarding a temporary use by filing an appeal in accordance with Section 1702 below.

E. Professional Office Development.

1. All activities involving professional office development as defined in Section 723 shall be reviewed pursuant to procedures set forth in this Section. All proposed professional office development shall be reviewed by the Planning Commission to determine if it is an acceptable use.

2. Review Standards. An application for professional office development shall meet the general standards applicable to permitted uses and the specific standards set forth in Section 723.

3. Expiration of Approval. An approval for Professional Office Development shall expire in accordance with terms set forth in the approval.

4. Appeals. Any interested person may appeal a decision of the Board of Adjustment regarding professional office development in accordance with the procedures set forth in Section 1706 below.

F. Approval of Site Plans

1. Purpose. To provide procedures for the timely and efficient review of applications for Site Plan approval.
2. Review Requirement. Development activities involving any use except activity involving a one family or a two family dwelling unit are subject to review at a Public Meeting under the standards applicable for site plans.
3. Conceptual Site Plan. A Conceptual Site Plan Review is required for the proposal of three (3) or more housing units on a single lot. The purpose of the Conceptual Site Plan Review is to discuss initial project feasibility and to give the applicant the right to proceed. Detailed engineering studies are not required but sufficient data shall be submitted to enable the Commission to review the merits of the proposal.
 - (a) Review of a Conceptual Plan shall require a public meeting.
 - (b) The Commission may approve or deny a Conceptual Plan, and may make suggestions to be included when the Final Site Plan is prepared.
 - (c) Approval of a Conceptual Plan authorizes the applicant to proceed to the next steps of the approval process, but does not commit the Commission to further approvals.
 - (d) Submittal requirements. The Conceptual Plan application shall include sufficient information to enable the Commission to review the merits of the application and to determine that all Code standards will be met. At a minimum, the submittal shall include:
 - (i) The project name, address and legal description; name, address and telephone number of the developer and project design professionals.
 - (ii) The approximate location of all proposed land uses including the number of dwelling units and/or the number, type and typical square footage of non-residential buildings, and total square footage of the project.
 - (iii) The proposed height and number of stories of each building.
 - (iv) A sketch of a typical structure.
 - (v) The approximate location of proposed roads, parking areas, sidewalks, bikeways, fire lanes and other proposed circulation elements and patterns.
 - (vi) A landscape concept showing typical planting schemes, types of planting materials and general locations of major landscaping items such as berms, ponds, retaining walls or other man-made improvements.
 - (vii) The approximate location and size of proposed curb cuts on public or private streets, and the size and type of all interior curb cuts.
 - (viii) The approximate location and size of all common improvements, common open space and lands to be dedicated to public ownership.
 - (ix) An estimate or projected use of public infrastructure, including a preliminary statement regarding traffic, sewer and water demand impacts.
 - (x) Information on surrounding properties, including land uses, zoning, ownership and traffic patterns.
 - (xi) The height, size, location and typical sketches of proposed signs and fencing, if any.
 - (xii) A preliminary analysis of drainage proposals, including a topographical map of the project area.
 - (xiii) An indication of proposed setbacks and minimum distances between

- proposed structures.
- (xiv) A written request for any waivers to any standards contained in this Code, along with a justification for the request.
- (xv) Any other information deemed pertinent to the review of the specific Conceptual Plan.
4. Site Plan Application Requirements. The applicant shall submit a Site Plan, drawn to scale (including a north arrow) and documentation to include the following:
- (a) A vicinity map drawn to scale which clearly shows the site in relationship to the surrounding property and specifies adjoining land use and zoning.
 - (b) Name, address and phone number of developer and all professionals working on the project.
 - (c) A survey of the property prepared by a Land Surveyor licensed to practice in the State of Vermont which shows existing or proposed rights-of-way and easements. This is required for projects that involve new buildings. Staff may require a survey for additions of over five hundred (500) square feet if the addition is within ten (10) feet from any required setback line or for other projects, which staff determines a survey is necessary due to the size, scope and cost of the project.
 - (d) Total land area and location, size, height, and number of stories of all existing and proposed structures and the distance from all structures to the nearest property line.
 - (e) Location and dimensions of existing and proposed easements, streets, driveways, and infrastructure.
 - (f) Description of proposed use and floor areas of all structures and calculations of parking and loading requirements.
 - (g) A topographic map showing final ground contours at no more than two (2) foot intervals if staff determined that such information is necessary.
 - (h) Identification of existing natural features including rock outcroppings, wetlands, areas of excessive slope, and tree groupings.
A detailed Landscape Plan by a landscape design professional. The Landscape Plan shall specify the type, size, quantity and location of all plant materials, existing and proposed.
 - (j) Lighting plan pursuant to Section 704.
 - (k) Impact analysis to include traffic generation and impact on public and/or private infrastructure.
 - (l) Proposed engineering design standards for all improvements required by this Code.
 - (m) As necessary, a traffic study.
 - (n) Written request for waivers of any requirements of this Code.
 - (o) Location of any proposed new water or sewer service connections.
 - (p) Proposed development schedule and phasing request, if applicable.
 - (q) Location and type of all proposed or required screening or buffering.
 - (r) Elevation of existing and proposed structures and any proposed change to height of existing structures.
 - (s) Location and type of all proposed signs.
 - (t) Other additional information requested by Staff to provide a clear understanding of the project.
5. Review Standards. All applications for Site Plan approval shall be reviewed for

neighborhood compatibility, effect on public infra-structure, traffic generation, public health, safety and welfare, and the General Development Standards specified in Chapter 7 of this Code. The location of fire lanes shall be reviewed by the Fire Chief.

6. Approval Conditions. The Commission may consider and impose conditions and safeguards with respect to the adequacy of traffic access, of circulation and parking, of landscaping and screening, and to protect the utilization of renewable energy resources.

7. Actions by Planning Commission. The Commission shall review all applications for approval except as provided herein. The Commission may table an application pending further information from the applicant. The application shall be denied if the applicant does not submit the requested information within the time specified by the Commission. The Commission may deny, approve, or approve with conditions, any application within sixty (60) days after the public comment period is closed. Failure to act within this time period shall be deemed approval.

8. Exceptions/Waivers. Upon receipt of a written request, the Commission may consider and grant waivers to Site Plan standards as authorized in Chapter 7 of this Code.

9. Expiration of Approval. Site Plan approval shall expire one (1) year after approval if a Zoning Permit application has not been made. Staff may approve an extension not to exceed six (6) months upon receipt of a written request prior to expiration of the initial approval by the Commission.

10. Appeal of Denial. An applicant may appeal a decision denying approval of a site plan by filing an appeal as specified in Section 1707 of this Code.

11. Site Plan Amendments/Minor Developments. Amendments to approved Site Plans shall be classified by Staff as a major or minor amendment based upon the following criteria:

(a) Major amendment. A major amendment requires review of the proposed changes by the Commission and includes the following changes:

(i) Any change in land use density or intensity which requires increased parking or loading spaces.

(ii) Any proposed change which would result in the elimination or removal of existing landscaping required by the Commission.

(iii) Any proposed change which would require the relocation of driveways or curb cuts on any public street or right-of-way.

(iv) Any proposed change which would require a waiver of any provision of this Code.

(v) Any change in location of structures which would reduce the approved setback.

(vi) Any major change in the location of landscape areas, sidewalks or bike paths.

(vii) Other proposed changes as determined by Staff which would alter the intent of findings.

(b) Minor amendment/development. A minor amendment or development application requires Staff review and approval. Staff may approve changes to existing sites where no site plan is on file (minor development) if the proposed change meets the criteria below. Applications for a minor development shall include only a zoning permit application. Any proposed development on a site with no approved site plan on file that doesn't meet the criteria below, shall submit a new site plan application for approval by the Commission. Approval of changes to a property without an approved site plan on file does not constitute an

approved site plan and any future changes that don't meet the criteria below are subject to full site plan review by the Commission. Staff reserves the right to defer applications to the Planning Commission which would significantly alter the existing site. Minor amendments/developments include the following changes:

- (i) Any change in land use density or intensity which does not result in an increased requirement for parking or loading spaces.
- (ii) Any engineering design changes as approved by the Village Engineer.
- (iii) Any addition of less than five hundred (500) square feet if the addition meets all of the requirements of this Code and does not involve a change of use which exceeds required parking, traffic or infrastructure demands. Any addition which meets the requirements of Section 611.G.
- (iv) Any change in lighting plans which meet the requirements of this Code.
- (v) Minor changes in location of landscaped areas, sidewalks or bikepaths.
- (vi) Substitution of proposed planting materials from the approved planting list provided that the substitution does not change the overall design concept approved by the Commission.
- (vii) Minor changes in the location of structures.
- (viii) Other minor changes as determined by Staff which do not alter the concept of the development, or the development as approved by the Commission.

12. Appeals.

- (a) Any interested person may appeal a Commission decision regarding a Site Plan by filing an appeal in accordance with the procedures of Section 1707.
- (b) Any interested person may appeal a Staff decision classifying a Site Plan Amendment or acting on a minor amendment by appealing to the Commission pursuant to Section 1704.

G. Approval of Home Occupations

1. Purpose. To provide a process for expeditious review of applications for Home Occupation Permits.
2. Review Required. Any proposed Home Occupation as defined by this Code shall require a Home Occupation Permit.
3. Permit Application. Applications shall be made on forms supplied by the Community Development Department.
4. Standards of Review. Any application for Home Occupation Permit shall meet the provisions of Section 711. Staff shall approve or deny an application for a Home Occupation within three (3) days of receipt, and may establish conditions in any or all of the following areas:
 - (a) Hours of operation
 - (b) Expiration dates
 - (c) Parking
 - (d) Signs
5. Appeals. Any interested person may appeal a decision regarding a Home Occupation Permit to the Board of Adjustment pursuant to Section 1702 below.
6. Expiration of Permit. Home Occupation approvals shall expire sixty (60) days from the date of approval if not implemented.

H. Approval of Signs

1. **Intent and Purpose.** The intent and purpose of this sign ordinance is as follows:
 - (a) To regulate advertising and identification signs in order to preserve, protect, and promote the public health, safety and general welfare.
 - (b) To recognize the business community's need for business identification and advertising and the similar need for a well-maintained and attractive appearance.
 - (c) To ensure that the public is not endangered or distracted by the unsafe, disorderly, indiscriminate or unnecessary use of signs.
 - (d) To protect property values in and between residential, commercial and industrial uses by reducing visual clutter and preventing blighting influences.
 - (e) To promote traffic safety by reducing visual distractions to motorists.
 - (f) To coordinate the type, placement and physical dimensions of signs within different zoning districts.
2. **Sign Permits:**
 - (a) No sign may be constructed, erected, moved, enlarged, illuminated or altered without a sign permit, except as specifically provided in this Code.
 - (b) Staff shall act to approve or deny all sign permit applications within three (3) working days of receipt of a complete application. The Planning Commission shall review and approve sign location associated with site plan applications being reviewed by the Planning Commission. All site plan applications before the Planning Commission shall include a sign for review unless a new or modified sign is not part of the project. Staff shall review all sign permit applications that would not otherwise require review by the Planning Commission.
 - (c) Repainting or changing messages on a sign shall not, in and of itself, constitute an alteration of a sign. If plans submitted for a zoning permit include sign plans in sufficient detail to determine whether the proposed sign or signs comply with the provisions of this Code issuance of the requested Zoning Permit shall constitute approval of the proposed sign or signs if approval is specifically stated on the zoning permit.
 - (d) **Sign Permit Applications:**
 - (Applications shall be made by the owner of record, or authorized agent, and shall be issued to the owner of record.
 - (ii) Sign permit applications shall include a drawing to scale indicating the following:
 - (aa) The proposed sign.
 - (bb) All existing signs maintained on the premises.
 - (cc) A plan which designates setbacks and the location of the proposed sign; a building facade drawing and a landscaping plan if the sign is free-standing.
 - (dd) Specifications for wiring, construction, and lighting.Drawings shall be of sufficient clarity to show the extent of the work.
3. **Signs Allowed Without a Permit.** Signs allowed without a permit under this paragraph shall be exempt from the provisions of Section 714 of this Code.
 - (a) Signs not exceeding two (2) square feet in area that are customarily associated with residential use, such as signs giving property identification names or numbers or names of occupants; signs on mailboxes or newspaper tubes; and signs posted on private property relating to private parking or warning the public

against trespassing or danger from animals; home occupation signs pursuant to the standards as contained herein.

(b) Signs erected by or on behalf of or pursuant to the authorization of a governmental body, including legal notices, identification and informational signs, and traffic, direction, or regulatory signs.

(c) Official warning signs of a non-commercial nature erected by public utilities.

(d) Flags, pennants, balloons or insignia of non-profit or government organizations if not displayed as a commercial promotion or as an advertising device.

(e) Integral decorative or architectural features of buildings so long as such features do not contain letters, trademarks, motorized parts or lights.

(f) Signs prohibiting or restricting parking, or directing and guiding traffic on private property, not exceeding four square feet and with no advertising or logos.

(g) Church bulletin boards, church identification signs and church directional signs that are not internally illuminated, do not exceed sixteen (16) square feet in area and satisfy the following location limitations:

(i) The sign is not located less than ten (10) feet from a property line.

(ii) There is not more than one sign along any front lot line.

(h) Signs painted on or otherwise permanently attached to currently licensed motor vehicles which are clearly incidental to the customary use of the vehicle.

Temporary signs pursuant to Section 714.

4. Appeals. Any interested person may appeal a decision regarding a sign to the Zoning Board of Adjustment in accordance with the provisions of Section 1702 below.

5. Expiration of Permit. A sign permit shall expire if not erected within one (1) year from the date of approval.

I. Approval of Accessory Apartments

1. Purpose. To provide a mechanism for Commission review and approval of proposals to create accessory apartments in any Residential District.

2. Review Requirement. Any accessory apartment shall be reviewed as specified by the procedures in this section.

3. Review Procedures. The zoning administrator may approve accessory apartments within or attached to an existing single family home provided it meets all the required standards including but not limited to setbacks, parking and is wholly within the existing footprint and/or envelope of the existing dwelling. The zoning administrator may defer any accessory apartment application to the Planning Commission for review and approval. Applications submitted for review by the Planning Commission shall be reviewed at a public meeting.

4. Review Standards. All accessory apartments shall be reviewed under the standards specified in Section 721.

5. Submittal Requirements. Sufficient information shall be submitted to enable the Commission to determine the possible impact of the proposal on all abutting residentially-zoned properties. The following minimal requirements shall be met.

(a) A plot plan which shows all existing structures, dimensions and distances from structures to property lines.

(b) The location of existing and proposed parking.

(c) The location of existing and proposed landscaping and screening.

(d) A drawing showing the existing structure arrangement and proposed location

and arrangement of accessory apartments, including room dimensions and entrances.

6. Conditional Waivers. The Commission may place conditions on any application deemed necessary to protect the residential character of the neighborhood.

7. Effect of Approval. The Commission may stipulate time limitations on any approval. The following time standards shall apply, unless specified otherwise by the Commission.

(a) Initial approval shall be for one year of occupancy. At the request of an abutter, a re-hearing shall be scheduled before the Planning Commission at the next available meeting. The abutter(s) who request a re-hearing shall present concrete evidence that conditions have not been met and that the approval should therefore be rescinded.

(b) If no hearing request is filed by an abutter, the accessory apartment shall be approved for one additional year.

(c) Alteration to the accessory apartment or failure to meet any Commission conditions shall void the permit.

8. Appeals. Any interested person may appeal a Planning Commission decision regarding an accessory apartment in accordance with the provisions of Section 1707 below.

9. Expiration of Approval. Approval of an accessory apartment shall expire if a Zoning Permit application is not received within one (1) year from the date of approval.

J. Approval of Activities Regarding Nonconforming Uses

1. Review Requirement. Any use of land or buildings lawfully existing on the effective date of this Code which is not allowable under this Code in the District where it is located shall be considered a nonconforming use and may be maintained subject to the provision of Chapter 8.

2. Appeals:

(a) Any interested person may appeal a Staff decision regarding a nonconforming use to the Board of Adjustment in accordance with the provisions of Section 1702 below.

(b) Any interested person may appeal a Board of Adjustment decision regarding a non-conforming use in accordance with the provisions of Section 1706 below.

3. Expiration of Approval. Approvals regarding nonconforming uses shall expire if not implemented within one (1) year from the date of approval.

K. Approval of Activities Regarding Non-complying Structures

1. Review Requirement. Any structure, existing on the effective date of this Code, which does not conform to the dimensional requirements of this Code shall be considered as a non-complying structure. Such structure may continue to be occupied, subject to the provisions of Chapter 8.

2. Appeals. Any interested person may appeal a decision regarding a non-complying structure as specified in Chapter 17.

3. Expiration of Approval. Approvals regarding non-complying structures shall expire if a Zoning Permit application is not received within one (1) year from the date of approval.

L. Approval of Development Activities on Existing Small Lots. Any lot in individual and

separate and non-affiliated ownership from surrounding properties in existence on the effective date of this Code may be developed for the purposes permitted in the District in which it is located, even though not conforming to minimum lot size requirements, if such lot is not less than one-eighth acre in area and has a minimum width or depth dimension of forty feet. This provision shall not exempt development on such lots from other provisions of this Code.

M. Planned Unit Development (PUD). Planned Unit Developments are intended to facilitate development of areas designated for residential, mixed, or single use on the general plan by permitting greater flexibility and, consequently, more creative and imaginative designs for the development of such areas than generally is possible under conventional zoning or subdivision regulations. These regulations are further intended to promote more economical and efficient use of the land while providing a harmonious variety of choices, a higher level of urban amenities, and preservation of natural and scenic qualities of open spaces.

1. Activities involving Planned Unit Development shall be reviewed in accordance with this section. An application for a Planned Unit Development shall be submitted and reviewed in accordance with the procedures of Section 511. A proposal for a Planned Unit Development must also be reviewed under Section 723.
2. Review Standards. An application for a Planned Unit Development shall be reviewed under the applicable standards of Section 723.
3. Expiration of approval. An approval for a Planned Unit Development shall expire in accordance with terms set forth in the approval.
4. Appeal. Any interested person may appeal a decision of the Planning Commission regarding a Planned Unit Development in accordance with the procedures set forth in Section 1707 below.

N. Telecommunications

1. Authority. Pursuant to 24 V.S.A. § 4414(12), the Planning Commission shall have the authority to regulate construction, alteration, development, decommissioning and dismantling of Wireless Telecommunication Facilities in the Village of Essex Junction.
2. Purpose. The purpose of this bylaw is to promote the public health, safety, welfare, and convenience of the residents of the Village of Essex Junction, while accommodating the telecommunication needs of the Village's residents.
3. Consistency with Federal and State Law; Severability. This bylaw is intended to be consistent with the Telecommunications Act of 1996 and Title 24, Chapter 117 of Vermont Statutes Annotated. If any section of this bylaw is held by a court of competent jurisdiction to be invalid, such finding shall not invalidate any other part of this bylaw.
4. Permit Application Requirements. In addition to information otherwise required in the Village of Essex Junction's Land Development Code, applicants shall include the following supplemental information:
Every Wireless Telecommunication Facility and Small Scale Facility permit application shall include:
 - (a) The applicant's legal name, address and telephone number. If the applicant is not a natural person, the applicant shall provide the state in which it is incorporated and the name and address of its resident agent.
 - (b) The name, title, address and telephone number of the person to whom correspondence concerning the application should be sent.

- (c) The name, address and telephone number of the owner or lessee of the property on which the Wireless Telecommunication Facility will be located.

A Small Scale Facility permit application shall also include:

A final site and building plan and, where applicable, a report indicating the structure's suitability for the telecommunications facility, and that the proposed method of affixing the antenna or other device to the structure complies with standard engineering practices. Complete details of all fixtures and couplings and the exact point(s) of attachment shall be indicated.

Every Wireless Telecommunications Facility permit application shall include:

- (a) The names and addresses of all adjoining property owners. Adjoining property owners shall be determined without regard to any public Right-of-way.
- (b) A vicinity map showing the entire vicinity within a thousand (1000) foot radius of the Facility, including the location of any tower, topography, public and private roads and driveways, buildings and structures, utilities, water bodies, wetlands, landscape features, historic sites and necessary wildlife habitats. It shall indicate the property lines of the proposed Facility site parcel and all easements or rights of way needed for access from a public way to the Facility.
- (c) The location of the Facility on a USGS Topographic Map or a GIS-generated map compatible with Vermont Center for Geographic Information (VCGI) standards and encompassing the area within at least a two (2) mile radius of the proposed tower site.
- (d) Elevations and proposed site plans of the Facility showing all facades and indicating all exterior materials and colors of towers, buildings and equipment, as well as all landscaping, utility wires, guy wires and screening. (All plans shall be drawn at a minimum scale of one (1) inch = fifty (50) feet).
- (e) In the case of a site that is forested, the approximate average elevation of the existing vegetation within fifty (50) feet of any tower base.
- (f) Construction sequence and time schedule for completion of each phase of the entire project.
- (g) A report from a qualified engineer that:
 - (i) Describes any tower's design and elevation,
 - (ii) Documents the elevation above grade for all proposed mounting positions for antennas to be collocated on a tower and the minimum distances between antennas,
 - (iii) Describes a tower's capacity, including the number, elevation and types of antennas that the tower is proposed to accommodate.
 - (iv) In the case of new Facilities, demonstrates that existing towers and structures within five (5) miles of the site cannot reasonably be modified to provide adequate coverage and adequate capacity to the community.
 - (v) Describes potential changes or additions to existing structures or towers that would enable them to provide adequate coverage.
 - (vi) Describes the output frequency, number of channels and the power output per channel for each antenna. In the alternative, a coverage map may be provided.
 - (vii) Demonstrates the Facility's compliance with the standards set forth in this bylaw or other applicable standards.

- (viii) Provides proof that at the proposed Facility site the applicant will be in compliance with all FCC regulations, standards and requirements, and includes a statement that the applicant commits to continue to maintain compliance with all FCC regulations, standards and requirements for radio frequency radiation (RFR).
 - (ix) Includes such other information as determined by the Planning Commission or Zoning Board of Adjustment to evaluate the application.
 - (h) A letter of intent committing the Facility owner and its successors to permit shared use of any tower if the additional users agree to meet reasonable terms and conditions for shared use, including compliance with all applicable FCC regulations, standards and requirements and the provisions of this bylaw and all other applicable laws.
 - (i) In the case of an application for additional antennas or other equipment to be installed on an existing Facility, a copy of the executed contract with the owner of the existing structure.
 - (j) To the extent required by the National Environmental Policy Act (NEPA) and as administered by the FCC, a complete Environmental Assessment (EA) draft or final report describing the probable impacts of the Facility, or a written statement by the applicant that an EA is not required is not required for the facility.
5. Permit Required. Wireless Telecommunication Facilities may be permitted or conditional uses as indicated in the Use Chart in Section 620. No installation or construction of, or significant addition or modification to, any Wireless Telecommunication Facility shall commence until a permit has been issued by the Zoning Administrator. Site Plan review by the Planning Commission is required for all Wireless Telecommunications Facilities, including Small Scale Facilities not exempted below.
6. Exemptions. No permit shall be required for a Wireless Telecommunication Facility or Small Scale Facility that:
- (a) Is used exclusively for municipal radio dispatch service or emergency radio dispatch service.
 - (b) Is used solely for amateur radio activities as long as it is on the site of the business or home being served and is less than thirty six (36) feet in height, measured from grade.
 - (c) Antennae and satellite dishes that do not exceed 1 meter in diameter or height. The height shall be measured from grade if mounted on the ground or from the top of the structure if mounted on an existing structure.
7. Independent Consultants. Upon submission of an application for a Wireless Telecommunication Facility permit, the Planning Commission may retain independent consultants whose services shall be paid for by the applicant. These consultants shall be qualified professionals in telecommunications engineering, structural engineering, monitoring of electromagnetic fields and such other fields as determined by the Planning Commission. The consultant(s) shall work at the Planning Commission's direction and shall provide the Planning Commission reports and assistance, as the Planning Commission deems necessary to review an application.

O. Master Plans

1. Purpose. To guide long-term development on larger properties and allow for public input early in the process as a means to limit negative impacts resulting from incremental planning and development. The master plan process is an opportunity to

address the long-term vision and conceptual design for development of buildings, land uses, infrastructure and conservation/preservation through integrative design. Master plans are an opportunity to discuss early design concepts with the Planning Commission prior to the formal permitting process. A formal approval of the Master Plan by the Planning Commission is not a guarantee that the development moving forward will gain Planning Commission approval, rather it is an indication that the general concept of the Master Plan is in keeping with the Village's vision for the District moving forward. The Master Plan shall address the following:

- (a) Land uses;
 - (b) Land subdivision;
 - (c) Streets, parking, and open space;
 - (d) Preservation of significant natural, historical or cultural features;
 - (e) Stormwater management;
 - (f) Urban form and urban design including the relationships between buildings, streets, open spaces, and parking areas;
 - (g) Connections to adjacent areas and networks;
 - (h) Significant natural and/or historic features; and
 - (i) Development phasing.
2. Review Procedures. All Master Plans shall be reviewed by the Commission at a public meeting. Approval of a master plan is not a guarantee of future development approvals on the site.
3. Submittal Requirements:
- (a) A map in plan view that addresses the items listed in Section 502.R.1.
 - (b) Supporting documentation to include:
 - (i) Land uses by gross building square footage
 - (ii) Total number of units by type and overall density
 - (iii) Amount of open space and uses
 - (iv) Building typologies
 - (v) Amount and location of parking
 - (vi) Vignettes, sketches, 3D models or other visual media to assist in representing the master plan proposal (optional or as required by the Planning Commission).
 - (vii) A statement describing the design intent for the master plan including the important physical relationships that influenced the proposed design including, but not limited to, natural features, connections, urban form, views, nodes, public transit, access and pedestrian mobility and connection to adjacent areas.

SECTION 503: SUBDIVISIONS

A. Purpose. To provide a mechanism for the timely review of applications for subdivision approval and to ensure that the development standards of this Code are met.

B. Classification. Staff shall review each subdivision application and classify it as a lot consolidation, minor subdivision or major subdivision. An applicant may request that the Commission review the classification as determined by Staff. The classification criteria are as follows:

1. Lot Consolidation or Boundary Adjustment. An application for a lot

consolidation or boundary adjustment shall be reviewed and approved by staff.

2. **Minor Subdivision.** A minor subdivision includes the platting of five (5) or fewer lots or minor adjustments to the lot lines of three (3) or more lots. A minor subdivision shall require Sketch Plan and Final Plat approval.

3. **Major Subdivision.** A major subdivision is any proposal not classified as a Consolidation or Minor Subdivision. A major subdivision requires approval of a Sketch Plan, Preliminary Plat, and Final Plat.

C. Public Meetings/Public Hearings

1. An application for Sketch Plan Approval shall be considered by the Commission at a Public Meeting.

2. Applications for Preliminary Plat or Final Plat approval shall be considered by the Commission at a public hearing.

3. The applicant, or duly authorized agent, is encouraged to attend all meetings and hearings for review of the application. The Commission may delay action on any application if the owner/agent fails to attend scheduled meetings or hearings.

D. Waivers. Any request to waive or alter any requirement of this Code shall be made in writing at the time of application.

E. General Standards of Review. The Commission shall generally review all applications for neighborhood compatibility, effect on adjoining undeveloped land, public infrastructure impact and the general public health, safety, and welfare.

F. Concurrent Reviews. An application for Subdivision approval may be reviewed concurrently with an application for Site Plan, Planned Development, or Conditional Use approval. Concurrent review does not ensure that the applications will not be denied.

G. Effects of Approval or Denial. Final approval of a subdivision authorizes the applicant to apply for any development permit required by this Code.

H. Application Submittal Requirements. Applications submitted for approval shall contain the material specified below. In addition, any request to alter or waive any Code requirements shall be included in writing as a part of the application.

1. **Lot Division or Lot Consolidation.** An application for a Lot Division or Lot Consolidation shall include the following:

- (a) Written request to waive or alter any requirement of this Code, if any.
- (b) A survey certified by a surveyor licensed to practice in the State of Vermont.
- (c) The location of existing and proposed lot lines.
- (d) Certification and signature of the owner(s) of record.
- (e) The location of all existing or proposed structures and distance between structures and lot lines.

2. **Boundary Adjustments.** An application for approval of a Boundary Adjustment shall include two reproducible drawings suitable for filing in the land records which shall meet the requirements of 27 VSA 1403 and two copies of a survey prepared by a licensed surveyor which depicts the two lots with the adjusted boundary and the following endorsements:

"Boundary Adjustments, approved by the Village of Essex Junction on the ___ day of _____, 20___, meets all Village Code requirements. Signed this ___ day of _____, 20___
By _____, Title _____

3. Sketch Plan. An application for Sketch Plan approval shall be submitted prior to submission of a Preliminary Plat. The Commission shall review the sketch plan to determine general compliance with this Code and good urban design techniques. These techniques include but are not limited to designs that do the following: maximize open space and connectivity, are economically viable in the long term, are cohesive with existing surroundings, are connected to the landscape, and are environmentally conscious. The Commission shall prepare written findings which clearly express the results of their review of an application. Sketch Plan approval authorizes the applicant to proceed with the Subdivision process. However, Sketch Plan approval does not guarantee Preliminary or Final Plat approval, if further investigation reveals that engineering or design standards cannot be met. An application for Sketch Plan approval shall include the following:

- (a) A survey of the subdivision site certified by a surveyor licensed to practice in the State of Vermont.
- (b) Approximate location of existing and proposed lot lines and area of the property to be subdivided.
- (c) Name, address, and signature of the owner of record.
- (d) The general location of all existing or proposed structures and distance between structures and lot lines.
- (e) General description of proposed engineering techniques for stormwater management.
- (f) Proposed method to provide water and sewer service.
- (g) Approximate location of existing and/or proposed easements.
- (h) Approximate location of any land proposed to be donated to the Village.
- (i) Approximate location of any land to be held in common ownership.
- (j) Proposed method to ensure maintenance of any common improvements or lands in common ownership.
- (k) General description and proposed methodology for analyzing traffic impact if deemed necessary by Commission.
- (l) Other information as necessary to fully inform the Commission of the extent of the development.

4. Preliminary Plat. Approval of a Preliminary Plat authorizes the applicant to make application for Final Plat approval. The Commission shall prepare written findings which identify any conditions of approval or other recommendations of the Commission. The Commission shall issue its decision and findings within forty-five (45) days of the completion of the meeting at which it was reviewed unless the application was continued. The findings may require submittal of additional information to the Commission or Staff prior to acceptance of an application for Final Plat approval. An application for Preliminary Plat approval shall include the proposed plat and a written statement providing any required information which is not on the proposed plat. At a minimum, the following information is required.

- (a) A vicinity map which shows the site in relation to surrounding property and adjacent zoning/land use.

- (b) The location and boundary lines of the subdivision and all proposed lots and a map or statement describing contiguous property in which the owner has an interest.
 - (c) The name, location and width of existing or proposed streets or right of ways within and contiguous to the proposal. For proposed streets, the application shall include plan, profile and grading plan.
 - (d) The location and size of sewers, water mains, storm drains, and other infrastructure within or contiguous to the proposal. The location of any above ground utilities or facilities including fire hydrants. The applicant shall submit all calculations supporting the storm water system design and fire flow requirements.
 - (e) The location and width of all proposed and existing easements.
 - (f) The location and type of lighting fixtures.
 - (g) Topographic survey with contour at no more than two (2) foot intervals by a surveyor or engineer licensed to practice in the State of Vermont.
 - (h) The approximate location of existing trees, or tree groupings, excessive slopes, wetlands, waterways and significant natural features within 200 feet of the proposed development.
 - (i) The location and dimensions of all lots and the square footage of each.
 - (j) The location and dimensions of parks or open land under common ownership or land proposed for dedication to the Village.
 - (k) The location and dimensions of any buffer or screening area, including the location and height of proposed fencing and/or hedges.
 - (l) The location, dimensions, and construction material of all sidewalks, pedestrian ways, and bikepaths.
 - (m) Identification of any proposed development phasing recommended or required by Sketch Plan approval.
 - (n) Traffic impact study if required by the Commission.
 - (o) Written description of the proposed design concept.
 - (p) Other material as required by the Commission as a condition of Sketch Plan approval.
5. Final Plat. No Final Plat shall be submitted which is not in substantial compliance with the Preliminary Plat and any conditions of approval of the Preliminary Plat. The Commission shall, within forty-five (45) days of the meeting, approve, modify and approve or disapprove such plat, unless the application was continued. The grounds for disapproval and/or any conditions to approval shall be included in a written notice of decision. A Final Plat shall conform to all Public Works Specifications and shall include the following:
- (a) Two (2) reproducible drawings which meet the requirements of 27 VSA 1403 which are suitable for recording in the land records. The scale shall be of sufficient size to show all detail and shall be stated and graphically illustrated on every sheet depicting any of the lands subdivided. A north arrow shall appear on each sheet.
 - (b) The name of the subdivision shall appear on each sheet. All streets shall be clearly named.
 - (c) Each plat shall be surveyed with all property boundaries clearly marked. Each lot shall be clearly numbered and all property boundaries clearly delineated.
 - (d) The property description sufficiently complete so that, without reference to the plat, the starting point and all boundaries of the subdivision can be located.

(e) Permanent Control points shall be shown on the Plat and tied to the Vermont Coordinate system NAD83 as defined in VSA1, Chapter 17, Section 671-679. The surveyor shall certify that the Permanent Control points have been set and the date that they were set.

(f) Location, width, and names of all streets, waterways, or other right of ways shall be shown.

(g) Location and width of all easements shall be shown.

(h) All lot and subdivision lines shall clearly show dimensions, curvature and radii. Curvilinear lots shall show the radii, arc distances, and central angles or radii, chord, and chord bearing, or both. Radial lines will be so designated. Direction or non-radial lines shall be indicated.

(i) The centerline of all streets shall be shown with distance, angles and bearings.

(j) Any areas dedicated or donated to the Village shall be clearly designated with distance, angles and bearings.

(k) A licensed land surveyor shall include a certification signed and sealed on the plat.

6. Construction Drawings. Construction drawings shall be submitted with all Final Plat applications. The construction drawings shall include engineering details of all improvements to the property. Sufficient detail shall be provided to allow review and inspection of the subdivision during construction. The Village shall have the authority to request additional details as necessary to review the plans for conformance to this Code, accepted engineering practice, and other standards or guidelines which may hereafter be adopted.

7. As-Built Plans. As-built Plans shall be submitted within six (6) months of the completion of the subdivision or phase thereof. Final inspection shall not occur prior to receipt of as-builts. The Village shall not accept any street or other public improvements for maintenance prior to submittal of as-built plans. The applicant shall submit one set of reproducible drawings suitable for recording in the land records.

I. Time Limitations

1. Sketch Plan. Within one (1) year of approval of a Sketch Plan, a Preliminary Plat shall be submitted for review by the Commission. If application for a time extension is received prior to the Preliminary Plat submittal date, staff may approve a time extension not to exceed six (6) months.

2. Preliminary Plat. Within one (1) year of approval, a Final Plat shall be submitted for review by the Commission. If application for time extension is received prior to the Final Plat submittal date, the Commission may approve a time extension not to exceed six (6) months. Failure to submit a Final Plat or request a time extension shall negate Sketch Plan approval.

3. Final plat. Construction shall commence on any Final Plat approved within two (2) years of approval. Failure to initiate construction shall negate Final Plat approval and the applicant shall reapply for Subdivision approval. The Commission may grant an extension of up to two (2) years if the applicant demonstrates diligent pursuit of financing or other permits and demonstrates inability to control the delay.

J. Consolidated Applications. Applicants may request that the Commission consider applications for Sketch Plan Approval, Preliminary Plat approval and/or Final Plat Approval simultaneously with a single application. The Commission, however, may determine that

separate reviews are required.

K. Filing of Approved Subdivision Final Plat. The approval of a final Subdivision Plat shall expire in ninety (90) days, unless the plat has been duly recorded by the applicant with the office of the Essex Town Clerk with a copy provided to the Town Assessor. No plat shall be recorded with the Town Clerk until it has been approved by the Commission, and such approval is endorsed in writing on such plat by the Commission Chair or Clerk. Endorsement shall not take place until all required plats, construction drawings and supporting documents have been submitted to Staff and determined to be complete and accurate. If submittals are not complete and accurate within ninety (90) days, the subdivision approval shall be void and the application shall be resubmitted for final approval.

L. Plat Void if Revised after Approval. No changes, erasure, modification, or revision shall be made on any subdivision plat after approval has been given by the Commission and endorsed in writing on the plat, unless said plat is first resubmitted to the Commission for approval of such modifications after public hearing with the exception of boundary adjustments pursuant to Section 503B. If such subdivision plat is recorded without complying with this requirement, the plat shall be considered null and void. Any change in a previously approved and recorded subdivision plat shall be resubmitted for approval pursuant to this Code.

M. Appeals.

1. Any interested person may appeal a Planning Commission decision regarding a subdivision by filing an appeal in accordance with the procedures of Section 1707 below.
2. Any interested person may appeal a Staff decision classifying a subdivision by appealing to the Planning Commission pursuant to Section 1704 below.

SECTION 504: APPROVAL OF ACTIVITIES INVOLVING PUBLIC SEWERS

A. Review Requirement. Activities involving uncovering or making any connections with or openings into, or using, altering, or disturbing any public sewer or appurtenance thereof, or proposing a new discharge into a public sewer or a substantial change in the volume or character of pollutants that are being discharged into such sewer shall require review in accordance with the procedures of this section.

B. Review Standards. Activities reviewed under this section shall comply with the standards set forth in Chapter 11.

C. Application Requirements. Applications for the connection of one (1) single family home shall require a plan prepared by a certified site technician. Applications for the connection of any use or structure other than one (1) single family home shall require a plan prepared and stamped by a registered engineer certified to practice in the State of Vermont.

D. Review Procedures. Staff shall review all applications for completeness within three (3) days of receipt. The Public Works Superintendent shall review and approve, approve with conditions, or deny within seven (7) days.

E. Appeals. Any interested party may appeal a decision of the Director to the Trustees in accordance with the provisions of Section 1705.

F. Expiration of Approvals. Approvals shall expire one (1) year from the date permits are issued.

SECTION 505: APPROVAL OF ACTIVITIES INVOLVING PRIVATE SEWERS

A. Review Requirement. Activities involving construction of a private sewage disposal system or private sewer or connection to any such system shall require review in accordance with the procedures of this section.

B. Review Standards. Activities reviewed under this section shall comply with the standards set forth in Chapter 11.

C. Review Procedures. All applications for private sewers shall be reviewed by the Commission and approved by the Trustees.

D. Appeals. Any interested party may appeal a decision regarding a private sewer as specified in Chapter 17.

E. Expiration of Approvals. Approvals shall expire one (1) year from the date permits are issued.

SECTION 506: APPROVAL OF WAIVERS TO STANDARDS OF SECTION 718.B

A. Review Required. Activities involving the conduct of a circus, carnival, menagerie, entertainment, concert, exhibition or similar activity shall be reviewed in accordance with the procedures of this section.

B. Review Standards. Activities reviewed under this section shall comply with the standards set forth in this Code.

C. Review Procedures. Staff shall review all applications to determine necessity of waivers under the provisions of this Code.

D. Appeals/Waivers. The Trustees shall review all waiver requests. Waivers may be granted for one event or for multiple events. The Trustees may authorize waivers for the same activity on one or more occasions, or for one or more years.

1. Upon written request, the Trustees may grant a waiver from the provisions of Section 718.B for any activity which has received approval required herein, and:
 - (a) Is a type of activity which cannot comply with the standards of this Code.
 - (b) Can not occur at a time when the activity would comply with the standards of this Code.
 - (c) Is a non-routine activity which is proposed to occur for a specified period of time.
2. When granting a waiver under this Section, the Trustees may attach reasonable conditions to minimize the impact of the waiver on adjoining properties. Such conditions may include but are not limited to:
 - (a) The time in which the activity may occur;
 - (b) Maximum sound limits which may not be exceeded;

- (c) The posting of a bond to insure compliance with the terms of the waiver; and
- (d) Requirements to use particular equipment or procedures to minimize sound.
- (e) Hours of operation.

E. Appeals. An individual who proposes an activity which Staff determines will result in sound in excess of the standards of Section 718.B may appeal such decision to the Board of Trustees in accordance with the procedures of Section 1705.

SECTION 507: APPROVAL OF ACTIVITIES INVOLVING PUBLIC WATER LINES

A. Review Requirement. Activities involving uncovering or making any connections with or openings into, or using, altering, or disturbing any public water line or appurtenance thereof shall require review in accordance with the procedures of this section.

B. Review Procedures and Standards. The Public Works Superintendent shall review and approve, approve with conditions, or deny within seven (7) days an application to construct or connect to a public water line. The Director shall review an application under the standards set forth in Chapter 14.

C. Expiration of Approvals. Approvals shall expire one (1) year from the date permits are issued.

D. Appeals. An applicant for approval under this Section may appeal a decision of the Public Works Superintendent to the Board of Trustees in accordance with the provisions of Section 1705.

SECTION 508: APPROVAL OF ACTIVITIES INVOLVING PRIVATE WATER SUPPLY

A. Review Requirement. Activities involving use of a private water supply or construction of or making any connections with or openings into, or using, or altering any private water line shall require review in accordance with the procedures of this Section.

B. Review Procedures and Standards

1. An application to establish a private water supply shall be submitted to the Board of Trustees for its review at a regular or special meeting. The Board may approve the application if it meets the standards of Section 1416. The decision of the Board shall be final.

2. The Public Works Superintendent shall review and approve, approve with conditions, or deny within seven (7) days an application to construct or connect to a private water line. The Director shall review an application under the standards set forth in Section 1416.

C. Expiration of Approvals. Approvals shall expire one (1) year from the date permits are issued.

D. Appeals. An applicant for approval of a private water line under this Section may appeal a decision of the Public Works Superintendent to the Board of Trustees in accordance

with the provisions of Section 1705.

SECTION 509: ACTIVITIES INVOLVING ACCESS TO PUBLIC ROADS

- A. Review Required. Activities involving opening, constructing, or reconstructing any driveway, entrance, or approach into a public road Right-of-way; obstructing, altering, or changing a ditch, culvert, or drainage course that drains a public roadway; depositing material or placing improvements in a public Right-of-way; or altering lands adjacent to a public Right-of-way to divert surface waters onto the Right-of-way shall require review in accordance with the procedures of this Section.
- B. Review Procedures and Standards
1. Except as provided in subsection 2, below, an application for any activity regulated under this Section shall be submitted to the Board of Trustees for its review at a regular or special meeting. The Board of Trustees shall review the application under the standard set forth in Section 705. The decision of the Board of Trustees shall be final.
 2. Board of Trustee approval for any activity regulated under this Section shall not be required if such activity is reviewed by Staff, the Commission or the Board of Adjustment under the provisions of Chapters 6, 7 or 9 of this Code.
 3. The Board of Trustees may revoke or modify any approval authorizing any activity regulated under this Section after sending written notice of intent to take such action to any affected property owner. The Board of Trustees shall consider such action at a regular or special meeting of the Board of Trustees and provide any affected property owner notice of such meeting and an opportunity to present information at such meeting. The Board of Trustees shall review such proposed action under the standards set forth in Section 705. The Board of Trustees shall render its decision in writing, which decision shall be final. The Board of Trustees shall send a copy of the decision to any affected property owner.
- C. Application Requirements.
1. A scale drawing showing existing and proposed curb cuts including dimensions and radii.
 2. A statement describing the purpose of the proposed curb cut changes.
 3. Name and address and telephone number of applicant and any professional consultants.
- D. Expiration of Approvals. Approvals shall expire one (1) year from the date of approval.

SECTION 510: ISSUANCE OF CERTIFICATES OF OCCUPANCY

- A. Purpose. To provide a mechanism for Staff review of all applications for Certificates of Occupancy to ensure that all Code requirements and development conditions are satisfied prior to occupancy of any structure.
- B. Requirement for Certificate of Occupancy. No building hereafter erected, and no building hereafter altered, which is vacant during the process of alteration, shall be occupied or used, in part or in whole, until a Certificate of Occupancy has been issued certifying that the building conforms to all approved plans and specifications, and to all provisions of this Code. If

a previously occupied building undergoes a change of use, a new Certificate of Occupancy must be reviewed and issued by Staff.

C. Temporary Certificate of Occupancy. Upon request of the owner or his agent, a Temporary Certificate of Occupancy may be issued for occupancy of part of a building, provided that such temporary occupancy would not in any way jeopardize life or property.

D. Requirements. Prior to issuance of a Certificate of Occupancy, the owner or his agent shall provide Staff with evidence that a water meter has been installed (if needed) and that the building conforms to all approved plans and specifications, and to all provisions of this Code. Staff may inspect the building to verify that all requirements are satisfied.

SECTION 511: GENERAL REVIEW PROCEDURES FOR PLANNED UNIT DEVELOPMENTS

A. Purpose. To provide a procedure for the timely and efficient review by the Commission of any proposals for Planned Unit Developments. Planned Unit Development review is intended to combine subdivision and site plan review into a unified process. This Section is intended to supplement the procedures set forth in Section 502 above and shall be reviewed under the applicable standards of Section 723.

B. Review Requirements and Review Standards. With the exception of applications for Exposition Center PUD's, the review of applications for a Planned Unit Development approval shall include review of a Conceptual Plan and review of a Final Development Plan. Review of a Preliminary Development Plan between Conceptual Plan review and Final Development Plan submittal is optional but highly recommended. Where applicable, Site Plan Approval is also required. All applicable site plan information as outlined in Section 502.F shall be submitted with all final development plans.

1. General Review Standards
 - (a) Physical characteristics of the site and relation to surrounding properties.
 - (b) Relationship to major transportation facilities, including mass transit, walkways and bike paths.
 - (c) Design characteristics of the proposal and compatibility to adjoining developed land.
 - (d) Unique design or land planning characteristics.
 - (e) Methods used to provide a transition between adjoining uses and proposed uses including, but not limited to, setbacks, screening, fencing, building design and parking design.
 - (f) The preservation of unique natural physical characteristics.
 - (g) Building design compatibility with adjoining structures.
 - (h) Other criteria, as deemed necessary by the Commission to evaluate the merits of a specific proposal.
2. Specific Review Standards
 - (a) Proposed traffic flow and circulation design.
 - (b) Design compatibility with adjoining developed properties.
 - (c) Scale and design of proposed structures.
 - (d) Location and setbacks of all proposed structures.
 - (e) Unique physical characteristics of the proposed use.

- (f) Unique characteristics of the proposed use.
 - (g) Use of innovative techniques, including but not limited to, clustering, Zero Lot Lines development, purchase/leaseback arrangements, and the provision of amenities including biking and hiking trails.
3. Waivers. The Commission may waive requirements for lot coverage, setbacks, parking and height based upon the merits of the specific proposal. Waivers shall be based upon the following criteria and may include specific conditions.
- (a) Unique physical characteristics of the site proposed for development.
 - (b) Superior building design, lot layout and landscaping design.
 - (c) Provision of public open spaces or superior bicycle and pedestrian access.
 - (d) Joint or combined vehicular access with adjoining properties.
 - (e) Waiver of building height in Light Industrial District only.

C. Conceptual Plan. A Conceptual Plan review is required to discuss initial project feasibility and to give the applicant the right to proceed. Detailed engineering studies are not required but sufficient data shall be submitted to enable the Commission to review the merits of the proposal.

1. Review of a Conceptual Plan shall require a public hearing.
2. The Commission may approve or deny a Conceptual Plan, and may make suggestions to be included when the Preliminary or Final Development Plan is prepared.
3. Approval of a Conceptual Plan authorizes the applicant to proceed to the next steps of the approval process, but does not commit the Commission to further approvals.
4. Submittal requirements. The Conceptual Plan application shall include sufficient information to enable the Commission to review the merits of the application and to determine that all Code standards will be met. At a minimum, the submittal shall include:
 - (a) The project name, address and legal description; name, address and telephone number of the developer and project design professionals.
 - (b) The approximate location of all proposed land uses including the number of dwelling units and/or the number, type and typical square footage of non-residential buildings, and total square footage of the project.
 - (c) The proposed height and number of stories of each building.
 - (d) A sketch of a typical structure.
 - (e) The approximate location of proposed roads, parking areas, sidewalks, bikeways, fire lanes and other proposed circulation elements and patterns.
 - (f) A landscape concept showing typical planting schemes, types of planting materials and general locations of major landscaping items such as berms, ponds, retaining walls or other man-made improvements.
 - (g) The approximate location and size of proposed curb cuts on public or private streets, and the size and type of all interior curb cuts.
 - (h) The approximate location and size of all common improvements, common open space and lands to be dedicated to public ownership.
 - (i) An estimate or projected use of public infrastructure, including a preliminary statement regarding traffic, sewer and water demand impacts.
 - (j) Information on surrounding properties, including land uses, zoning, ownership and traffic patterns.
 - (k) The height, size, location and typical sketches of proposed signs and fencing, if any.

- (l) A preliminary analysis of drainage proposals, including a topographical map of the project area.
 - (m) An indication of proposed setbacks and minimum distances between proposed structures.
 - (n) A written request for any waivers to any standards contained in this Code, along with a justification for the request.
 - (o) Any other information deemed pertinent to the review of the specific Conceptual Plan.
5. Preliminary Development Plan. Preliminary Development Plan approval is optional except where specifically required herein. All applicants for Planned Development approval are encouraged to seek Preliminary Development plan approval.
- (a) Review of a Preliminary Development Plan by the Commission does not require a Public Hearing.
 - (b) Approval of a Preliminary Development Plan authorizes application for Final Development Plan, but does not commit the Commission to final approval.
 - (c) Submittal Requirements.
 - (i) A statement indicating that the proposed Planned Development is in accord with previous approvals, as applicable.
 - (ii) A site plan, drawn to scale, and a boundary certified by a land surveyor licensed to practice in the State of Vermont. The site plan shall show the location of all improvements and the location and size of all infrastructure.
 - (iii) If the project is to include common open space or common improvements, provide specification of ownership and responsibility for maintenance of such commonly owned features.
 - (iv) The location and dimensions of all easements.
 - (v) Engineering reports as may be required to show conformance with this Code.
 - (vi) A proposed phasing schedule, if required by the Commission, and estimated construction period.
 - (vii) A detailed landscape plan by a landscape design professional shall specify the type, size, quantity and location of all plant materials, existing and proposed.
6. Final Development Plan.
- (a) Approval of a Final Development Plan authorizes the applicant to proceed with applications for all other development permits.
 - (b) Review of a Final Development Plan shall require a Public Hearing.
 - (c) Submittal Requirements.
 - (i) All submittal requirements specified in this Code for a Preliminary Plan review.
 - (ii) A Final Plat, as applicable, and a phasing schedule as required by the Commission.
 - (iii) A survey of the property prepared by a licensed Land Surveyor.
 - (iv) A topographic map showing final ground contours at two (2) foot maximum intervals.
 - (v) Architectural rendering of typical structures.
 - (vi) Final engineering designs for infrastructure or other improvements.
 - (vii) A statement certifying that the development meets all applicable

provisions of this Code.

(d) Each application shall be reviewed on an individual basis in accordance with the provisions of the District in which the property is located. The application must comply with the specific standards set forth in Chapter 6 for that type of Planned Development. In general, the Commission shall consider the effects of the proposal on the surrounding neighborhood, public infrastructure and potential development of adjoining property.

(e) Conditions. The Commission may place conditions on any approval as necessary to ensure quality development and to limit potential negative effects of the proposal. A Planned Development may be approved in phases and may require construction within a specified time frame. Conditions shall be in accordance with the District within which the project is located and specific standards herein.

7. Amendment Procedures. Applications may be submitted to amend an approved Planned Development. Staff shall review any application and classify the proposal as follows:

(a) Major Amendment. A major amendment requires submittal of a new Conceptual Plan and review by the Commission at a Public Hearing. The following changes at any stage of a Planned Development approval, or following approval, constitute major amendments.

(i) Any change in the proposed land use or uses which would require different standards of review, or substantial change in occupancy of commercial uses which would alter traffic and parking needs or building design.

(ii) Any change in the street pattern which would impact adjoining streets.

(iii) Any increase in overall density or intensity of use within the Planned Development if that increase exceeds:

(aa) Ten (10) percent of the approved number of dwelling units or ten (10) dwelling units, whichever is less;

(bb) Ten (10) percent of the approved square footage or two thousand (2,000) square feet for commercial buildings, whichever is less;

(cc) Any other proposed changes which Staff determines will substantially alter the design or negate the intent of the Plan as approved by the Commission.

(b) Minor Amendment. A minor amendment requires review by the Commission at a public meeting unless the proposed amendment alters an approved subdivision in which case a public hearing shall be required. The following changes constitute minor amendment.

(i) Any increase in density or intensity which do not qualify as a major amendment.

(ii) A decrease in setbacks beyond what is required for the district in which the project is located.

(iii) An increase in height or number of stories of one or more buildings.

(iv) Minor changes in the approved street pattern.

(v) Any decrease in the size of designated open spaces or recreation areas.

(vi) Any decrease in the number of parking spaces or loading/unloading spaces.

- (vii) Any decrease in the amount of landscaping to be provided.
 - (viii) Any change in the phasing plan.
 - (ix) Any other change which Staff determines to not be either a major amendment or a minimal amendment.
- (c) Minimal Amendment. Minimal amendments shall be reviewed and approved by Staff. The following changes constitute minimal amendments.
- (i) Any reduction in density or intensity of use.
 - (ii) Any changes in setbacks which do not violate the standards of the District in which the project is located.
 - (iii) Any changes in the location of landscaping, fencing, signage or sidewalks, or other changes which Staff determines to be insignificant.
 - (iv) Any changes in land uses which do not impact parking or circulation patterns.
 - (v) Any minor additions that do not add more than five hundred (500) square feet to any structure and which do not significantly alter the architectural appearance of the project.

SECTION 512: APPROVAL OF ACTIVITIES INVOLVING A NEW CONNECTION TO THE PUBLIC STORM DRAINAGE SYSTEM

- A. Review Requirement. Activities involving the uncovering or making any connections with or openings into, or using, altering, or disturbing any public storm drainage system or appurtenance thereof, or proposing a new discharge or a substantial change in the volume into a public storm drainage system shall require review in accordance with the procedures of this section.
- B. Review Standards. Activities reviewed under this section shall comply with the standards set forth in Section 713 of this Code.
- C. Application Requirements. Development of any use, structure, filling activity or redevelopment activity that would increase stormwater runoff off the property shall be connected to the Village stormwater system. The Village Engineer may require that the applicant provide additional information including:
1. Pre-development and post-development drainage calculations for a two (2), ten (10), and twenty-five (25) year design stormwater flow.
 2. On-site drainage improvements and best management practices including, but not limited to: rain gardens, buffer strips, filter strips, grass swales, rain barrels. Permeable pavement systems, cisterns or other structural/ non structural best management practices are also deemed appropriate for consideration.
 3. A downstream analysis, if determined necessary by current or proposed local or state processes including, but not limited to, Total Maximum Daily Load (“TMDL”).
 4. Projects requiring a State stormwater permit may submit a copy of the issued State permit with supporting documentation for consideration of compliance with the requirement for a Village stormwater management plan. Such properties may include properties greater than one (1) acre in size and industrial facilities regulated under the Multi Sector General Permit requirements (MSGP).
 5. Projects requiring further review as determined by State issued watershed permitting or TMDL (if applicable) may require further improvement to mitigate

- stormwater flows as part of any related permits.
- D. Review Procedures. Staff shall review all applications for completeness within three (3) days of receipt. The Public Works Superintendent or Water Quality Superintendent or their designee shall act on all applications within seven (7) days.
- E. Appeals. Any interested party may appeal a decision regarding a public storm sewer connection as specified in Chapter 117 of Title 24.
- F. Expiration of Approvals. Approvals shall expire one (1) year from the date permits are issued, if not implemented.

SECTION 513: APPROVAL OF ACTIVITIES INVOLVING THE CONSTRUCTION OF A STORMWATER SYSTEM

- A. Review Requirement. Activities involving construction of a stormwater system other than the public storm drainage system, or connection to any such system, shall require review in accordance with the procedures of this section.
- B. Review Standards. Activities reviewed under this section shall comply with the standards set forth in this Code.
- C. Application Requirements.
1. Applications for activities involving the construction of a stormwater system must include a stormwater management plan indicating how the performance requirements and operation and maintenance requirements set forth in this Code will be met. The application shall also identify the legal entity to own and maintain the non-municipal portions of any stormwater system proposed.
 2. Compliance with this section of the Land Development Code may be met by agreeing to maintain best management practices for small construction sites as outlined in “The Low Risk Site Handbook for Erosion Prevention and Sediment Control” or “The Erosion Prevention and Sediment Control Field Guide.” Both documents are available for download at: http://www.anr.state.vt.us/dec/waterq/stormwater/htm/sw_cgp.htm The complexity and details of the plan submitted may vary depending on the extent of the project, the site development proximity to water courses, the size of the project, etc.
 3. Projects requiring a State stormwater permit may submit a copy of the issued State permit with supporting documentation as evidence of compliance with the requirement for a Village of Essex Junction stormwater management plan.
- D. Design Practices. If Low Impact Design (LID) Practices are not incorporated into the design, the applicant shall provide justification to the Public Works Superintendent or Water Quality Superintendent or their designee. Applicants shall demonstrate why the use of LID approaches to site runoff is not possible. This must be demonstrated in order to receive permission to connect to the Village stormwater system.

LID includes a set of practices that when incorporated into the early stages of design, reduce site runoff and related pollutants. On-site LID strategies include Best Management Practice improvements such as rain gardens, buffer strips, filter strips, grass swales, rain barrels, permeable pavement systems, cisterns, etc. Low Impact Design practices are encouraged to the

maximum extent practical given the site's soil characteristics, slope, and other relevant factors. Such factors shall include, but are not limited to:

1. Minimizing impervious surfaces, preserving open space and their natural drainage systems and preventing unnecessary soil compaction;
2. Directing rooftop runoff to a pervious area where water can infiltrate into the soil of flow overland with sufficient time and reduced velocity, thus allowing for filtering;
3. Restoring and enhancing natural areas such as stream buffers, wetlands and forests, steep slopes, soil permeability and natural drainage systems; and
4. Integration of several LID Best Management Practices such as minimizing soil and vegetation disturbances, installing rain gardens, diverting roof downspouts from hard surfaces to allow for infiltration, installing grass swales, etc.

E. Review Procedures. Staff shall review all applications for completeness within three (3) days of receipt. The Public Works Superintendent or Water Quality Superintendent or their designee shall act on all applications within seven (7) days.

F. Appeals. Any interested party may appeal a decision regarding construction of a stormwater system plan as specified in Chapter 117 of Title 24.

G. Permits for Stormwater Discharges Associated with Construction Activities. Under the National Pollutant Discharge Elimination System (NPDES), construction projects involving one (1) acre or more of land disturbance require a stormwater permit to discharge stormwater runoff from construction activities, as covered by Construction General Permit 3-9020, which is overseen by The Vermont Department of Environmental Conservation's Watershed Management Division.

H. Expiration of Approvals. Approvals shall expire one (1) year from the date permits are issued, if not implemented

SECTION 514: APPROVAL OF ACTIVITIES INVOLVING THE DISTURBANCE OF LESS THAN ONE (1) ACRE OF LAND

A. Review Requirement. Activities involving clearing, grading, construction or land development/disturbance of less than one acre of land (1) acre shall require review in accordance with the procedures of this section.

B. Review Standards. Activities reviewed under this section shall comply with the standards set forth in Section 713 of this Code. General requirements may be waived by the Public Works Superintendent or Water Quality Superintendent or their designee if the applicant conforms to the State of Vermont Best Site Management practices as outlined in: "The Low Risk Site Handbook for Erosion Prevention and Sediment Control" (as amended) or in the "Vermont Erosion Prevention and Sediment Control Field Guide" (as amended). The state guidelines are available at http://www.vtwaterquality.org/stormwater/hm/sw_cgp.htm.

C. Application Requirements.

1. Activities involving clearing, grading, construction or land development of land less than one (1) acre must include an erosion and sediment control plan indicating compliance with the "Low Risk Site Handbook for Erosion Prevention and Sediment

Control.”

2. Additional erosion control stipulations may be required depending on the specific site conditions, such as the extent of disturbed land, proximity of water, percent slope and soil types.

D. Review Procedures. Staff shall review all applications for completeness within three (3) days of receipt. The Public Works Superintendent or Water Quality Superintendent shall act on all applications within seven (7) days.

E. Appeals. Any interested party may appeal a decision regarding an erosion and sediment control plan as specified in Chapter 117 of Title 24.

F. Expiration of Approvals. Approvals shall expire one (1) year from the date permits are issued, if not implemented.

SECTION 515: APPROVAL OF ACTIVITIES INVOLVING THE DISTURBANCE OF EQUAL TO OR GREATER THAN ONE (1) ACRE AND/OR THE CREATION OF MORE THAN ONE (1) ACRE OF IMPERVIOUS SURFACE

A. Review Requirement. Activities involving clearing, grading, construction or land development of one (1) acre or more of land and/or creating a total resulting impervious surface equal to or greater than one (1) acre shall require review in accordance with the procedures of the State of Vermont Construction General Permit 3-9020 and General Permit 3-9015 or other applicable state permits governing erosion and stormwater control of large construction sites. Evidence of compliance with this provision of Vermont State requirements must be provided in order to receive local approval to proceed. Projects with more than one acre of impervious surface shall also conform with the general standards.

B. Review Standards. Based on State design criteria.

C. Application Requirements. Application is made to the Agency of Natural Resources Water Quality Division.

D. Review Procedures. The Village of Essex Junction reserves the right to require additional conditions above and beyond those in the State issue permit for due cause. The Village reserves this right in order to address specific operational concerns related to the site and its impact on abutters including the municipal right of way and the municipal infrastructure.

E. Appeals. Any interested party may appeal a decision regarding an erosion and sediment control plan as specified in Chapter 117 of Title 24.

F. Expiration of Approvals. Approvals shall expire as per the Land Development Code, concurrent with the permits issued by the State of Vermont depending on the phasing and size of the project.

SECTION 516: APPROVAL OF ACTIVITIES INVOLVING DEVELOPMENT WITHIN 200 FEET OF A WATERWAY, FLOODPLAIN OR WETLAND

A. Review Requirement. Activities involving development within 200 feet of a waterway, floodplain or wetland shall require review in accordance with the procedures of this section. The property shall maintain a fifteen (15) foot or more undisturbed buffer to adjacent streams. The buffer may be required to be extended based on flood plain profile, slope of the land or other conditions where further setback is warranted for protection of the stream. A set back of fifty (50) feet above high water mark of the floodplain will be considered for impact of stream meandering, streambank crossing, flooding or other natural stream processes that may have an impact on developed land.

B. Review Standards. Activities reviewed under this section shall comply with the standards set forth in this Code.

C. Application Requirements. Applications for development of any use, structure, excavation, filling, clearing or grading activity located within two hundred (200) feet of a waterway, floodplain or wetland shall indicate the distance from the proposed activity to the waterway, floodplain or wetland and the percent slope of the proposed site.

D. Review Procedures. Staff shall review all applications for completeness within three (3) days of receipt. The Public Works Superintendent or Water Quality Superintendent shall act on all applications within seven (7) days.

E. Appeals: Any interested party may appeal a decision regarding a zoning district as specified in Chapter 117 of Title 24.

F. Expiration of Approvals. Approvals shall expire one (1) year from the date permits are issued, if not implemented.

G. Conditional Use Review. Shall be considered if it is determined that there is no potential adverse impact to the waters of the same.

H. Riparian Buffer Landscaping Requirements. It is the objective of these standards to promote the establishment and protection of heavily vegetated areas of native vegetation and trees along waterways in order to reduce the impact of stormwater runoff, prevent soil erosion, protect wildlife and fish habitat and maintain water quality. Any application for development approval under this Code shall provide that all lands within a required riparian buffer are left in an undisturbed, naturally vegetated condition. These standards shall apply to all zoning districts. The following activities are not permitted within Riparian Buffer areas:

1. The creation of new lawn areas.
2. The clearing of trees that are not dead, heavily damaged by ice storms or other natural events, or diseased.
3. Property owners already encroaching on a riparian buffer shall be encouraged to return mowed areas to their naturally vegetated state.

The following conditions will apply to any application for development approval under this Code:

1. Prior to issuing a zoning permit, the Commission may require on-site restoration of degraded riparian habitats through supplemental planting and landscaping with appropriate species and by designating no mow zones.
2. Restoration standards for planting and landscaping appropriate for riparian buffers are outlined in the *Vermont Stormwater Management Manual – Volume II, Appendix A2*.
3. Riparian buffers established as part of this section shall be maintained by the developer and all other subsequent property owners or associations within the development. Reference to these established buffers shall be made in the appropriate deeds or common property documents.

The standards for maintenance of the stream buffer zone prohibit the following:

1. The creation of new lawn areas within stream buffers is not permitted after the effective date of these regulations.
2. Property owners already encroaching on the stream buffer are encouraged to return mowed areas to their naturally vegetated state.
3. Any areas within a required stream buffer that are not vegetated or that are disturbed during construction shall be seeded with a naturalized mix of grasses rather than standard lawn grass, and shall not be mowed more than one (1) time per calendar year after establishment.
4. Supplemental planting and landscaping with appropriate species of vegetation to restore and enhance the effective filtering function of a stream buffer is encouraged.

Expansion of pre-existing structures within stream buffers: Any building, structure, or land or use thereof, which is made nonconforming by reason of the adoption of this section, may be expanded or reconstructed, subject to the following provisions:

1. The structure to be expanded or reconstructed was originally constructed on or before promulgation of this rule.
2. The total building footprint area of the expanded or reconstructed structure shall not be more than fifty (50) percent larger than the footprint of the structure lawfully existing.
3. The non-conforming use shall not be changed to another non-conforming use.
4. A non-conforming use that is changed to a conforming use, discontinued for six (6) months, or abandoned shall not be resumed.
5. Enlargement, repair and reconstruction of pre-existing structures within stream buffers shall be permitted if it is determined that the development activity will not decrease the existing structure setback from the water body or increase the encroachment within the stream buffer.

New uses and encroachments within stream buffers: The encroachment of new land development activities into the Village's stream buffers is discouraged. The Zoning Board of Adjustment may authorize the following as uses within stream buffers subject to the standards and conditions enumerated for each use:

1. Agriculture, horticulture and forestry including the keeping of livestock, provided that any building or structure appurtenant to such uses is located outside the stream buffer.
2. Clearing of vegetation and filling or excavating of earth materials, only to the extent directly necessitated for the construction or safe operation of a permitted or conditional use on the same property and where the Planning Commission finds that there is no practicable alternative to the clearing, filling or excavating within the stream buffer. This section is not meant to exclude any streambank alteration permitting requirements of the State of Vermont.

3. Encroachments necessary to rectify a natural catastrophe for the protection of the public health, safety and welfare.
4. Encroachments necessary for providing for or improving public facilities.
5. Public recreation paths located at least fifteen (15) feet above the ordinary high water mark or measured from the top of bank, whichever is greater.
6. Stormwater treatment facilities meeting the stormwater treatment practices and sizing criteria set forth in the *Vermont Stormwater Management Manuals Volumes I and II* as most recently amended. Evidence of an approved permit from the Vermont Agency of Natural Resources for coverage under the applicable permitting requirements shall be required to meet this criterion for encroachment into a stream buffer.
7. Roadways or access drives for purposes of crossing a stream buffer area to gain access to land on the opposite side of the buffer, or for purposes of providing safe access to an approved use, in cases where there is no feasible alternative for providing safe access and the roadway or access drive is located at least fifteen (15) feet above the ordinary high water mark or measured from the top of bank, whichever is greater.
8. Utility lines, including power, telephone, cable, sewer and water, to the extent necessary to cross or encroach into the stream buffer where there is no feasible alternative for providing or extending utility services.
9. Outdoor recreation provided any building or structure (including parking and driveways) appurtenant to such use is located outside the stream buffer, and which does not involve the use of mowed fields within the stream buffer.
10. Research and educational activities provided any building or structure (including parking and driveways) appurtenant to such use is located outside the stream buffer.

CHAPTER 6: ZONING DISTRICTS REGULATIONS

This section sets forth regulations regarding the use, density, lot size, lot coverage and setbacks on properties in all Zoning Districts within the Village. Where applicable, design review standards are also included.

SECTION 600: OFFICIAL ZONING MAP

All land in Essex Junction is divided into Districts as shown on the Official Zoning Map filed with the Village Clerk, a copy of which is attached to this Code. Said Official Zoning Map shall be the official record of the zoning status of all land areas within the Village.

A. Map Changes

No changes of any nature affecting property shall be made on the Official Zoning Map. It shall be unlawful for any person to alter or change the map upon adoption by the Village of Essex Junction Board of Trustees. Any changes or amendments to the Official Zoning Map shall be made by the Trustees after Public Hearings pursuant to Title 24, Chapter 117, Section 4404 of Vermont Statutes.

B. Map Interpretation

Staff shall interpret zoning district boundaries as specified below. Appeals to staff decisions may be made to the Zoning Board.

1. District boundaries adjacent to a street, highway, stream or power line shall be construed to follow the centerline.
2. District boundaries adjacent to railroad tracks, or rights of ways shall be construed to follow the centerline.
3. District boundaries, which approximately follow property lines shall be constructed to follow property lines.
4. Where a District splits a parcel or lot, the regulations applying to either portion of the lot may be extended onto the other portion for distance not exceeding fifty (50) feet.
5. The Future Land Use Map as filed with the Village Clerk shall be consulted to determine intent in the establishment of any Zoning District boundary.

SECTION 601: MULTI-FAMILY RESIDENTIAL 1 (M-F1)

A. **Purpose.** To provide areas for multi-family residential development and accessory uses.

B. Lot Size/Lot Coverage

1. The minimum lot size shall contain seven thousand five hundred (7,500) square feet for the first dwelling unit plus five thousand (5,000) square feet for each additional dwelling unit in the same structure or within an accessory structure existing on the effective date of this Code, as long as the existing accessory structure is not expanded. Any expansion to an existing accessory structure being used as a dwelling shall require seven thousand five hundred (7,500) square feet of lot size for the first dwelling and five thousand (5,000) for each additional dwelling in the same structure. Each new structure requires seven thousand five hundred (7,500) square feet for the first unit and five thousand (5,000) square feet for each additional unit in the structure. One single family home is allowed per lot unless reviewed as a planned development.

2. The maximum total lot coverage shall be fifty (50) percent.

C. Setback Requirements

1. The minimum front yard setback shall be thirty (30) feet. The front yard setback shall be established by the average setback of the principal structures on the two adjacent lots (or the closest two lots on the same side of the same street) and the minimum setback requirement for the underlying zoning district. The principal structure shall have a setback between the established maximum and minimum setback as described above. Semi-attached accessory structures (such as a deck) shall be allowed if there is sufficient space between the principal structure and the minimum setback. Porches that are integrated into the principal structure shall be considered part of the principal structure. If a principal structure is not parallel to the front lot line the setback will be determined by the average setback at the two corners of the structure closest to the front lot line. The Planning Commission may waive this requirement if the following conditions are met:
 - (a) The proposed setback does not negatively impact the character of the neighborhood; and
 - (b) The proposed setback would be in keeping with the setbacks and character of anticipated future development of the area.
2. The minimum side yard setback shall be ten (10) feet.
3. The minimum rear yard setback shall be ten (10) feet.

D. Permitted and Conditional Uses. Permitted and Conditional uses are as indicated on the Use Chart in Section 620 of this Code.

E. Parking Requirements. Off-street parking requirements are as specified in Section 703 of this Code.

F. Building Height. Building heights shall not exceed three (3) stories or thirty-five (35) feet, whichever is less.

G. Planned Unit Development. The Planning Commission may approve a Planned Unit Development for use as a Multi-Family and/or Single-Family Residential Development. In connection with such PUD approval, the Planning Commission may authorize the construction of structures and facilities to accommodate any of the uses allowed in the Multi-Family Residential 1 District. Any application for proposed development in the Multi-Family Residential 1 District may, at the applicant's request, be reviewed as a Planned Unit Development under the provisions of this Section. Any application for proposed development in the Multi-Family Residential 1 District which contains more than five (5) units shall be reviewed as a Planned Unit Development unless this requirement is specifically waived by the Commission.

1. General Review Standards
 - (a) Physical characteristics of the site and relation to surrounding properties.
 - (b) Relationship to major transportation facilities, including mass transit, walkways and bike paths.
 - (c) Design characteristics of the proposal and compatibility to adjoining developed land.
 - (d) Unique design or land planning characteristics.
 - (e) Methods used to provide a transition between adjoining uses and proposed

- uses including, but not limited to, setbacks, screening, fencing, building design and parking design.
- (f) The preservation of unique natural physical characteristics.
 - (g) Building design compatibility with adjoining structures.
 - (h) Other criteria, as deemed necessary by the Commission to evaluate the merits of a specific proposal.
2. Specific Review Standards
- (a) Proposed traffic flow and circulation design.
 - (b) Design compatibility with adjoining developed properties.
 - (c) Scale and design of proposed structures.
 - (d) Location and setbacks of all proposed structures.
 - (e) Unique physical characteristics of the proposed use.
 - (f) Unique characteristics of the proposed use.
 - (g) Use of innovative techniques, including but not limited to, clustering, Zero Lot Lines development, purchase/leaseback arrangements, and the provision of amenities including biking and hiking trails.
3. Waivers. The Commission may waive requirements for lot coverage, setbacks, parking and height based upon the merits of the specific proposal. Waivers shall be based upon the following criteria and may include specific conditions.
- (a) Unique physical characteristics of the site proposed for development.
 - (b) Superior building design, lot layout and landscaping design.
 - (c) Provision of public open spaces or superior bicycle and pedestrian access.
 - (d) Joint or combined vehicular access with adjoining properties.

SECTION 602: MULTI-FAMILY RESIDENTIAL 2 (M-F2)

- A. Purpose. To provide areas for the construction of new multi-family dwellings and accessory residential uses.
- B. Lot Size/Lot Coverage
1. The minimum lot size shall contain seven thousand five hundred (7,500) square feet for the first dwelling unit plus two thousand five hundred (2,500) square feet for each additional dwelling in the same structure or within an accessory structure existing on the effective date of this Code, as long as the existing accessory structure is not expanded. Any expansion to an existing accessory structure being used as a dwelling shall require seven thousand five hundred (7,500) square feet of lot size for the first dwelling and two thousand five hundred (2,500) square feet for each additional dwelling in the same structure. Each new structure requires seven thousand five hundred (7,500) square feet for the first unit and two thousand five hundred (2,500) square feet for each additional unit in the structure. One single family home is allowed per lot unless reviewed as a planned development.
 2. The maximum lot coverage shall be fifty (50) percent.
- C. Setback Requirements
1. The minimum front yard setback shall be fifteen (15) feet. The front yard setback shall be established by the average setback of the principal structures on the two adjacent lots (or the closest two lots on the same side of the same street) and the minimum setback requirement for the underlying zoning district. The principal structure shall have a

setback between the established maximum and minimum setback as described above. Semi-attached accessory structures (such as a deck) shall be allowed if there is sufficient space between the principal structure and the minimum setback. Porches that are integrated into the principal structure shall be considered part of the principal structure. If a principal structure is not parallel to the front lot line the setback will be determined by the average setback at the two corners of the structure closest to the front lot line. The Planning Commission may waive this requirement if the following conditions are met:

- (a) The proposed setback does not negatively impact the character of the neighborhood; and
 - (b) The proposed setback would be in keeping with the setbacks and character of anticipated future development of the area.
2. The minimum side yard setback shall be ten (10) feet.
 3. The minimum rear yard setback shall be ten (10) feet.

D. Permitted and Conditional Uses. Permitted and Conditional uses are as indicated on the Use Chart in Section 620 of this Code.

E. Parking Requirements. Off-street parking requirements are as specified in Section 703 of this Code.

F. Building Height. Building heights shall not exceed three (3) stories or thirty-five (35) feet, whichever is less. The Commission may grant a waiver of up to four (4) stories or forty-eight (48) feet, whichever is less under either of the following conditions:

1. The property is located along a major arterial street and no adverse impacts on the character of the neighborhood would result; or
2. The project is not located on a major arterial street, but adequate buffering is proposed that would cause no adverse impacts on the character of the neighborhood.

G. Planned Unit Development. The Planning Commission may approve a Planned Unit Development for use as a Multi-Family and/or Single-Family Residential Development. In connection with such PUD approval, the Planning Commission may authorize the construction of structures and facilities to accommodate any of the uses allowed in the Multi-Family Residential 2 District. Any application for proposed development in the Multi-Family Residential 2 District may, at the applicant's request, be reviewed as a Planned Unit Development under the provisions of this Section. Any application for proposed development in the Multi-Family Residential 2 District which contains more than five (5) units shall be reviewed as a Planned Unit Development unless this requirement is specifically waived by the Commission. Refer to Section 601.G.1-3 for general and specific review standards in addition to waiver information for a PUD.

SECTION 603: MULTI-FAMILY RESIDENTIAL 3 (M-F3)

A. Purpose. To provide areas for low density multi-family dwellings and accessory residential uses.

B. Lot Size/Lot Coverage

1. The minimum lot size shall contain seven thousand five hundred (7,500) square feet for the first dwelling unit plus three thousand (3,000) square feet for each additional

dwelling unit in the same structure or within an accessory structure existing on the effective date of this Code, as long as the existing accessory structure is not expanded. Any expansion to an existing accessory structure being used as a dwelling shall require seven thousand five hundred (7,500) square feet of lot size. Each new structure requires seven thousand five hundred (7,500) square feet for the first unit and three thousand (3,000) square feet for each additional unit in the same structure. One principal structure is allowed per lot. One single family home is allowed per lot unless reviewed as a Planned Development.

2. The maximum total lot coverage shall be forty (40) percent.

C. Setback Requirements

1. The minimum front yard setback shall be thirty (30) feet. The front yard setback shall be established by the average setback of the principal structures on the two adjacent lots (or the closest two lots on the same side of the same street) and the minimum setback requirement for the underlying zoning district. The principal structure shall have a setback between the established maximum and minimum setback as described above. Semi-attached accessory structures (such as a deck) shall be allowed if there is sufficient space between the principal structure and the minimum setback. Porches that are integrated into the principal structure shall be considered part of the principal structure. If a principal structure is not parallel to the front lot line the setback will be determined by the average setback at the two corners of the structure closest to the front lot line. The Planning Commission may waive this requirement if the following conditions are met:

(a) The proposed setback does not negatively impact the character of the neighborhood; and

(b) The proposed setback would be in keeping with the setbacks and character of anticipated future development of the area.

2. The minimum side yard setback shall be ten (10) feet.

3. The minimum rear yard setback shall be ten (10) feet.

D. Maximum Number of Dwelling Units. The maximum number of dwelling units on any individual lot shall be three (3).

E. Permitted and Conditional Uses. Permitted and Conditional uses are as indicated on the Use Chart in Section 620 of this Code.

F. Parking Requirements. Off-street parking requirements are as specified in Section 703 of this Code.

G. Building Height. Building heights shall not exceed three (3) stories or thirty-five (35) feet, whichever is less.

H. Planned Unit Development. The Planning Commission may approve a Planned Unit Development for use as a Multi-Family and/or Single-Family Residential Development. In connection with such PUD approval, the Planning Commission may authorize the construction of structures and facilities to accommodate any of the uses allowed in the Multi-Family Residential 3 District. Any application for proposed development in the Multi-Family Residential 3 District may, at the applicant's request, be reviewed as a Planned Unit Development under the provisions of this Section. Any application for proposed development in

the Multi-Family Residential 3 District which contains more than five (5) units shall be reviewed as a Planned Unit Development unless this requirement is specifically waived by the Commission. Refer to Section 601.G.1-3 for general and specific review standards in addition to waiver information for a PUD.

SECTION 604: VILLAGE CENTER (VC)

A. Purpose. To provide a compact commercial center having a mix of commercial, governmental, cultural and mixed use buildings that are consistent with the purpose of a designated Village Center District, and a neighborhood development area as both are defined by the State of Vermont. The Village Center shall be the core for an ongoing revitalization that will improve the community's vitality and livability and the goal of having a Center that accommodates growth. Due to the historic nature of the residential neighborhoods surrounding the Five Corners area the design and layout of any new developments or infill projects shall acknowledge the importance of the existing streetscape and enhance the area through an architectural design and site layout that enhances pedestrian connectivity to adjacent properties. It is the intent of this district to allow as new structures only those structures which are designed and constructed to enhance the streetscape and add value aesthetically, economically and socially to the Village Center.

B. Lot Size/Lot Coverage

1. The minimum lot size shall be five thousand (5,000) square feet. The Village Center District shall not have a maximum allowable density. The maximum number of dwelling units shall be determined by the ability to meet the standards of the Land Development Code including, but not limited to, parking, setbacks, lot coverage and building height.
2. The maximum total lot coverage shall be determined by the Commission as part of Site Plan Review.

C. Setback Requirements. No requirements for commercial or mixed use buildings. For single family buildings the front yard setback shall be established by the average setback of the principal structures on the two adjacent lots (or the closest two lots on the same side of the same street) and the minimum setback requirement for the underlying zoning district. The principal structure shall have a setback between the established maximum and minimum setback as described above. Semi-attached accessory structures (such as a deck) shall be allowed if there is sufficient space between the principal structure and the minimum setback. Porches that are integrated into the principal structure shall be considered part of the principal structure. If a principal structure is not parallel to the front lot line the setback will be determined by the average setback at the two corners of the structure closest to the front lot line. The Planning Commission may waive this requirement if the following conditions are met:

1. The proposed setback does not negatively impact the character of the neighborhood; and
2. The proposed setback would be in keeping with the setbacks and character of anticipated future development of the area.

D. Permitted and Conditional Uses. Permitted and Conditional uses are as indicated on the Use Chart in Section 620 of this Code.

E. Design Review and Historic Preservation. Because of the important role the Village Center plays in the regional economy and the unique historic qualities of some of the existing buildings, the Commission is hereby authorized to undertake a special review, as part of its site plan review. Design review is required by the Planning Commission for any proposed construction, reconstruction, demolition or exterior alteration (including a change of color) of any building in the district with the exception of sign permits, which are approved administratively. Activities involving buildings listed or eligible for the state or national registers of historic places must meet additional standards as described below. All reviews shall be conducted at a public meeting.

1. Purpose. The purpose of this section is to protect those buildings listed or eligible for the State or Federal Register of Historic Places while accommodating new and appropriate infill and redevelopment supporting increased density and multi-modal development. Infill and redevelopment brings opportunities to protect existing historic resources and provide new sources of architectural and urban design for the 21st century while increasing density, activity and economic opportunity in the Village Center District. Demolition may be allowed, but only following a thorough review of the economic and structural characteristics of the building and the proposed redevelopment plan and its community benefits. A building that causes blight in the District may be considered a candidate for demolition. New buildings and modifications to existing ones shall be subject to design review.
2. Applicability
 - (a) The design review standards are applicable to all development proposals within the Village Center District. The historic preservation design standards with respect to alterations, additions or redevelopment of existing historic structures as defined in Section 604.E.4.B of this Code are applicable to all buildings listed or eligible for the State or National Register of Historic Places. Documentation from the State Division of Historic Preservation documenting a building's eligibility for the State or National Register of Historic Places.
 - (b) Any development proposal for the existing residential structures fronting Pearl, Park, Lincoln, Maple and Main Streets in the Village Center District submitted to the Planning Commission shall be reviewed as a Planned Unit Development (PUD) and are subject to the provisions of Section 724: Planned Unit Development and Chapter 9: Subdivision Regulations.
3. District Design Review Procedures. The Planning Commission may deny approval of a proposed development or modification of a structure if it determines that the intent of this Section has not been met. Accordingly:
 - (a) Within this district, no structure may be demolished, reconstructed, moved, erected, or changed in use, nor may the exterior be altered or restored without design approval from the Planning Commission, issued in conjunction with subdivision or site plan approval. In the event that subdivision or site plan review is not otherwise required, design review shall be conducted in accordance with site plan review procedures under Section 502 or Section 503.
 - (b) Nothing in these design control criteria shall be construed to prevent the ordinary maintenance or repair of any exterior architectural feature in the district, which does not involve a change in the design, material, color or the outward appearance of the feature.
 - (c) The review of plans under this Section by the Planning Commission requires the submission of information listed in Section 502 or Section 503 along with

building elevations, a description of materials to be used on the exterior of any structure, plans for exterior lighting, signs, drainage and snow removal, and photographs of existing structures and adjacent buildings if applicable. The Planning Commission may require additional information and documentation, as it deems necessary including 3D drawings and/or models of the proposal to assist in understanding the fundamental design elements and important spatial relationships.

(d) Should the Planning Commission deem it necessary to employ an architect or other qualified individual to review any development proposal, the cost of employing such an individual shall be borne by the applicant.

4. District Design Requirements. The Planning Commission shall review all development applications in the Village Center for compliance with the criteria listed below and in accordance with the character of the district as defined by the Village of Essex Junction Comprehensive Plan. The Planning Commission reserves the right to require applicants to undertake their development per the Secretary of Interiors Standards. Staff will review the applicant's proposal and provide guidance as to what the Planning Commission will expect with historic structures.

(a) Design Standards for the Village Center

(i) The relationship of building mass and architectural detail to open space and to the relative size of a person shall be reviewed by the Commission in this District.

(ii) The predominant direction of structural shape, of placement of openings and architectural details at the front façade shall be harmonious with the core principles of a designated Village Center District.

(iii) Buildings shall generally have no setback from the street and be at least two stories in height to create a consistent street edge and sense of enclosure. Additional building setback to provide for an expansion of the sidewalk or active pedestrian space such as sidewalk cafes or display areas may be allowed and in some cases encouraged.

(iv) The proposed height of structures may be limited to within ten (10) percent of the average height of existing adjacent buildings on predominately residential streets where necessary to protect the residential character of adjacent residential structures. The height limit shall not apply in predominantly commercial and mixed-use areas.

(v) The following architectural elements or features shall be harmonious with existing buildings and significant, predominant or established patterns in the district:

(aa) The relationship between the width to height of the front elevation of the building.

(bb) The relationship of width to height of windows and doors.

(cc) The rhythmic relationship of openings to solid areas in front façades.

(dd) The spaces between the proposed structure or structural alteration.

(ee) The relationship of entranceways to buildings and porches.

(ff) The materials, textures, and colors, including primary and accent or trim colors.

(gg) Proposed architectural details (such as lintels, arches,

chimneys).

(hh) Proposed roof shapes and lines.

(ii) Proposed enclosures, including fences, brick walls, stone walls, evergreen hedgerows and building facades, which are also continuous and cohesive with existing walls in the district.

(jj) Proposed landscaping shall be compatible with existing quality and quantity of landscaping in the vicinity, with consideration given to existing landscape mass and continuity.

(kk) The proposed ground cover shall be compatible with the predominant ground cover in the district.

(ll) Storage areas, service areas, trash receptacles, accessory structures and parking areas shall be screened from view from the street and adjoining properties.

(b) Secretary of the Interiors Standards for the Rehabilitation of Historic Structures:

(i) An existing property shall be used for its historic purpose or be placed in a new use that requires minimal change to the defining characteristics of the building and its site and environment.

(ii) The historic character of a property shall be retained and preserved. The removal of historic materials or alteration of features and spaces that characterize a property shall be avoided.

(iii) Each property shall be recognized as a physical record of its time, place, and use. Changes that create a false sense of historical development, such as adding conjectural features or architectural elements from other buildings, shall not be undertaken.

(iv) Most properties change over time; those changes that have acquired historic significance in their own right shall be retained and preserved.

(v) Distinctive features, finishes, and construction techniques or examples of craftsmanship that characterize a property shall be preserved.

(vi) Deteriorated historic features shall be repaired rather than replaced. Where the severity of deterioration requires replacement of a distinctive feature, the new feature shall match the old in design, color, texture, and other visual qualities and, where possible, materials. Replacement of missing features shall be substantiated by documentary, physical, or pictorial evidence.

(vii) Chemical or physical treatments, such as sandblasting, that cause damage to historic materials shall not be used. The surface cleaning of structures, if appropriate, shall be undertaken using the gentlest means possible.

(viii) Significant archeological resources affected by a project shall be protected and preserved. If such resources must be disturbed, mitigation measures shall be undertaken.

(ix) New additions, exterior alterations, or related new construction shall not destroy historic materials that characterize the property. The new work shall be differentiated from the old and shall be compatible with the massing, size, scale, and architectural features to protect the historic integrity of the property and its environment.

(x) New additions and adjacent or related new construction shall be

undertaken in such a manner that if removed in the future, the essential form and integrity of the historic property and its environment would be unimpaired.

5. Demolition of Historic Structures. The demolition of listed, or properties eligible for historic listing is discouraged and it is the intent of this section to limit the demolition of historic structures unless the following standards are met. The intent of this section is to provide a procedure for the review of applications for the demolition of a historic structure. The Planning Commission may require professional assistance in evaluating an application for demolition at the applicants' expense in order to determine compliance with the standards of this section. An application for demolition of a historic structure will be reviewed based on financial, structural, historic, design and community benefits of the proposed redevelopment.

(a) Application for Demolition

(i) A report from a licensed engineer qualified to assess the structural integrity of historic buildings is required. The report shall address the ability for rehabilitation and reuse of the existing building as it pertains to the buildings structural integrity and cost of rehabilitation.

(ii) A report from a qualified professional (planner, economist, business consultant) on the economic feasibility to rehabilitate and/or operate the historic building or site while preserving its historic qualities. The report, at the request of the Planning Commission, may require the report to assess options for sensitive building expansions as it pertains to the economic viability of the building.

(iii) A statement from the applicant regarding compliance with the standards for demolition of a historic structure.

(iv) Any building in non-compliance with the design requirements for historic structures as a result of a fire, flood or similar unforeseen event shall apply within six months of the date of the event for an application to demolish the building or approval of a plan for restoration. All of the standards in this section shall be fully considered including economic hardship, structural integrity and community benefit.

(b) Demolition Review Standards:

(i) Economic Hardship. The continued operation of the historic structure is financially infeasible based on existing and potential land uses and any costs of rehabilitation. All options for adaptive reuse, resale, or relocation shall be considered and addressed in the application.

(ii) Structural Integrity. The structure is beyond repair or the cost of repairing and operating the building is not financially feasible or reasonable; or

(iii) Community Benefit. The redevelopment plan for the site has significant state, regional or community benefits in terms of urban design, ecology, and cultural or economic benefits. The redevelopment proposal shall consider and address impacts on adjacent historic properties and the entire district. The potential of incorporating historic structures into redevelopment plans shall be considered and is encouraged.

(c) Approval for Demolition. Historic buildings that are approved for demolition require the applicant to comply with the following:

(i) Any approval for the demolition of a historic structure shall require the

applicant to document the building in accordance with the Historic American Building Survey (HABS).

(ii) Assurance from the applicant that the redevelopment plan as approved will be implemented if the historic structure demolition is approved based on the community benefit of the redevelopment plan. In addition, structures approved for demolition based on the community benefit shall not be demolished until construction of the entire project has received all financial resources and regulatory permits. The Planning Commission may require a bond or letter of credit as a condition of approval for the demolition of a historic structure.

(iii) The time between demolition and the commencement of construction shall not exceed 3 months unless an alternative timeline is specifically approved as part of the demolition approval from the Planning Commission.

6. **Formula-Based Retail and Restaurants.**

(a) **Purpose.** Formula-based retail and restaurants have the potential to negatively impact the unique character and small town atmosphere in the Village Center District unless carefully designed to minimize negative impacts associated with standardized buildings, signs and operations that does not take into account the special qualities and historic features of the District as defined in the Village Comprehensive Plan.

(b) **Applicability.** Formula-based retail and restaurants, as defined in Chapter 2, shall require conditional use review and approval for the establishment or expansion of such an operation in the Village Center District.

(c) **Review Standards.** In addition to the conditional use review standards, the following criteria pertain to all proposed formula-based retail and restaurant establishments and the expansion of existing ones:

(i) New buildings shall be designed with attention to the existing site features and shall not consist of a standardized building type used by the formula based business on other sites and locations. Façade detailing and style shall be unique and not part of a standardized set of features used in other locations, but rather complement the historic identity of the Village Center District.

F. **Parking.** Due to the unique characteristics of this District no minimum parking requirements are established. However, the Planning Commission may require parking as a part of any Site Plan approval. The Commission shall use the parking standards of Chapter Seven as a guide to determine reasonable parking. If on-site parking is required, it shall be placed on the side or rear of the building, not in front. If parking is placed on the side, it shall not take up more than thirty (30) percent of the linear frontage of the lot. The Planning Commission may waive this requirement due to site constraints. Below grade parking or structured parking may also be approved by the Planning Commission. Municipal parking lots are exempt from the side, rear and thirty (30) percent limit on linear frontage requirements for parking areas.

G. **Planned Unit Development.** The Planning Commission may approve a Planned Unit Development in the Village Center District. In connection with such PUD approval, the Planning Commission may authorize the construction of structures and facilities to accommodate any of the uses allowed in the Village Center District. Any application for proposed

development in the Village Center District may, at the applicant's request, be reviewed as a Planned Unit Development under the provisions of this Section.

1. Commercial PUD.

(a) Activities involving a Commercial PUD shall be reviewed in accordance with the procedures of this Section. Commercial PUD's are authorized in the Village Center District pursuant to Section 604.G.

(b) Application Requirements. An application for a Commercial PUD shall be submitted and reviewed in accordance with the procedures of Section 511.

(c) Review Standards. An application for a Commercial PUD shall be reviewed under the applicable standards of Section 511.B.1-3.

(d) Expiration of Approval. An approval for a Commercial PUD shall expire in accordance with terms set forth in the approval.

(e) Appeals. Any interested person may appeal a decision of the Commission regarding a Commercial PUD in accordance with the procedures set forth in Section 1707.

H. Building Height. Building heights shall not exceed four (4) stories or fifty-eight (58) feet, whichever is less.

I. Drive - Through's. Drive - Through's in the Village Center must provide enough stacking room for three (3) cars, not six (6) cars as required in Section 703.D.2.

SECTION 605: HIGHWAY-ARTERIAL DISTRICT (HA)

A. Purpose. To provide areas for retail, wholesale, commercial, residential, service and professional businesses while minimizing negative impacts due to increased traffic.

B. Density/Lot Coverage.

1. The minimum lot size shall be ten thousand (10,000) square feet. The Highway Arterial District shall not have a maximum allowable density. The maximum number of dwelling units shall be determined by the ability to meet the standards of the Land Development Code including, but not limited to, parking, setbacks, lot coverage and building height.

2. The maximum total lot coverage shall be sixty-five (65) percent, the sixty-five (65) percent lot coverage may be increased up to eighty (80) percent through a waiver process granted by the Planning Commission using the same criteria outlined in Section 601.G.3.

C. Setback Requirements. Overhangs or eaves on buildings may encroach into the setback up to two (2) feet.

1. The minimum front yard setback shall be twenty (20) feet.

2. The minimum side yard setback shall be ten (10) feet.

3. The minimum rear yard setback shall be ten (10) feet.

D. Permitted and Conditional Uses. Permitted and Conditional uses are as indicated on the Use Chart in Section 620 of this Code.

E. Parking Requirements. Off-street parking requirements are as specified in Section 703 of

this Code.

F. Building Height. Building height shall not exceed four (4) stories or fifty-eight (58) feet, whichever is less.

G. Planned Unit Development. The Planning Commission may approve a Planned Unit Development in the Highway Arterial District. In connection with such PUD approval, the Planning Commission may authorize the construction of structures and facilities to accommodate any of the uses allowed in the Highway Arterial District. Any application for proposed development in the Highway Arterial District may, at the applicant's request, be reviewed as a Planned Unit Development. Refer to Section 511.B.1-3 for general and specific review standards in addition to waiver information for a PUD.

1. Commercial PUD.

(a) Activities involving a Commercial PUD shall be reviewed in accordance with the procedures of this Section. Commercial PUD's are authorized in the Highway-Arterial District pursuant to Section 605.G.

(b) Application Requirements. An application for a Commercial PUD shall be submitted and reviewed in accordance with the procedures of Section 511.

(c) Review Standards. An application for a Commercial PUD shall be reviewed under the applicable standards of Section 511.B.1-3.

(d) Expiration of Approval. An approval for a Commercial PUD shall expire in accordance with terms set forth in the approval.

(e) Appeals. Any interested person may appeal a decision of the Commission regarding a Commercial PUD in accordance with the procedures set forth in Section 1707.

SECTION 606: MULTI-FAMILY/MIXED-USE-1 DISTRICT (MF-MU1)

A. Purpose. The Multi-Family/Mixed-Use-1 District is intended to allow high density multi-family development along low intensity commercial uses along major transportation and public transit corridors. High Density, Mixed Use developments and affordable housing with parking below grade or on the first floor of the building are encouraged. Development in the MF-MU1 District should support alternative modes of transportation, while accommodating the automobile.

B. Density/Lot Coverage.

1. The minimum lot size in the MF-MU1 District shall be fifteen thousand (15,000) square feet. The MF-MU1 District shall not have a maximum allowable density. The maximum number of dwelling units shall be determined by the ability to meet the standards of the Land Development Code including, but not limited to, parking, setbacks, lot coverage and building height.

2. The maximum total lot coverage shall be sixty-five (65) percent, the sixty-five (65) percent lot coverage may be increased up to eighty (80) percent through a waiver process granted by the Planning Commission using the same criteria outlined in Section 601.G.3.

C. Setback Requirements. The Planning Commission may waive the screening and buffering requirements for new developments upon determining that the development will not

adversely impact neighboring properties. Overhangs or eaves on buildings may encroach into the setback up to two (2) feet.

1. Side: The side yard setback shall be ten (10) feet.
2. Front: The minimum front yard setback shall be twenty (20) feet, the maximum front yard setback shall be thirty (30) feet for the principal structure. At least thirty (30) percent of the front of the principal structure shall be within the minimum and maximum setback.
3. Rear: The required rear setback shall be ten (10) feet.

D. Permitted and Conditional Uses. Permitted and Conditional uses are as indicated on the Use Chart in Section 620 of this Code.

E. Parking Requirements. Off-street parking requirements are as specified in Section 703 of this Code.

1. At Grade Parking on First Floor of Building: The building façade for parking on the first floor of the principal structure shall have a residential appearance and shall blend with the upper floors of the building.

F. Building Height. Building Height shall not exceed four (4) stories or fifty-eight (58) feet, whichever is less.

G. Planned Unit Development. The Planning Commission may approve a Planned Unit Development for use as a MF-MU1 District. In connection with such PUD approval, the Planning Commission may authorize the construction of structures and facilities to accommodate any of the uses allowed in the Multi-Family Mixed-Use-1 District. Any application for proposed development in the Multi-Family Mixed-Use-1 District may, at the applicant's request, be reviewed as a Planned Unit Development. Refer to Section 511.B.1-3 for general and specific review standards in addition to waiver information for a PUD.

SECTION 607: MULTI-FAMILY/MIXED-USE-2 DISTRICT (MF-MU2)

A. Purpose. The Multi-Family/Mixed-Use-2 District is intended to allow high density multi-family development along low intensity commercial uses along major transportation and public transit corridors. High Density, Mixed Use developments and affordable housing with parking below grade or on the first floor of the building are encouraged. Development in the MF-MU2 District should support alternative modes of transportation, while accommodating the automobile. Developments within this district should be designed in such a way as to build upon the village character found in the core areas of the Village.

B. Density/Lot Coverage

1. The minimum lot size in the MF-MU2 District shall be fifteen thousand (15,000) square feet. The maximum permitted density shall be fifteen (15) units per acre.
2. The maximum total lot coverage shall be sixty-five (65) percent, the sixty-five (65) percent lot coverage may be increased up to eighty (80) percent through a waiver process granted by the Planning Commission using the same criteria outlined in Section 601.G.3.

C. Setback Requirements. The Planning Commission may waive the screening and

buffering requirements for new developments upon determining that the development will not adversely impact neighboring properties. Overhangs or eaves on buildings may encroach into the setback up to two (2) feet.

1. Side: The side yard setback shall be ten (10) feet.
2. Front: The minimum front yard setback shall be twenty (20) feet; the maximum front yard setback shall be thirty (30) feet for the principal structure. At least thirty (30) percent of the front of the principal structure shall be within the minimum and maximum setback.
3. Rear: The required rear setback shall be ten (10) feet.

D. Permitted and Conditional Uses. Permitted and Conditional uses are as indicated on the Use Chart in Section 620 of this Code.

E. Parking Requirements. Off-street parking requirements are as specified in Section 703 of this Code.

1. At Grade Parking on First Floor of Building: The building façade for parking on the first floor of the principal structure shall have a residential appearance and shall blend with the upper floors of the building.

F. Building Height. Building Height shall not exceed four (4) stories or fifty-eight (58) feet, whichever is less.

G. Planned Unit Development. The Planning Commission may approve a Planned Unit Development for use as a MF-MU2 District. In connection with such PUD approval, the Planning Commission may authorize the construction of structures and facilities to accommodate any of the uses allowed in the Multi-Family/Mixed-Use-2 District. Any application for proposed development in the Multi-Family/Mixed-Use-2 District may, at the applicant's request, be reviewed as a Planned Unit Development. Refer to Section 511.B.1-3 for general and specific review standards in addition to waiver information for a PUD.

SECTION 608: TRANSIT ORIENTED DEVELOPMENT (TOD)

A. Purpose. The purpose of the Transit Oriented Development District (TOD) is to encourage development that supports a variety of transportation options including public transit (bus and rail), walking, biking and the automobile.

1. In order to achieve the desired goal of providing greater transportation options, development within the district shall embody the characteristics of compact urban development and pedestrian oriented design. Mixed use buildings with first floor retail, wide sidewalks, interconnected streets, on-street parking, high density residential development, pedestrian amenities, transit stations and stops, open spaces, and public or shared parking are strongly encouraged and in many cases required as a part of the standards within the TOD District.
2. The area within the TOD District is currently served by public bus transportation. In addition, the TOD District is adjacent to an active rail corridor, which may be used for light rail service in the future. A bike path is also planned for the rail corridor. Therefore, the TOD District is in an ideal location to provide greater transportation options.
3. The specific objectives of the TOD District are:

- (a) Create an environment that is conducive to using public transit, walking and riding a bike;
- (b) Accommodate a mix of uses in a form that attracts pedestrians;
- (c) Integrate commercial, institutional and residential development into a compact development pattern arranged around a street grid;
- (d) Provide pedestrian amenities and open spaces to create a comfortable and attractive environment;
- (e) Provide public and/or shared parking to accommodate automobiles, but will not detract from the pedestrian environment;
- (f) High Density Residential development;
- (g) First Floor Retail; and
- (h) Encourage the use of Tax Increment Financing to support public improvements in the district.

B. Applicability. Development proposals that involve more than thirty (30) percent or more of the existing building(s) square footage on the effective date of this ordinance shall be in full compliance with the standards of the TOD District. It is the intent of the TOD District regulations to prohibit the expansion of existing non-conforming structures beyond thirty (30) percent of the existing floor space on the effective date of this ordinance unless a waiver is granted by the Planning Commission upon determination that the expansion would not significantly detract from the goals and intent of the TOD District. Any expansion of existing non-conforming structures shall comply with the provisions of Chapter 8.

1. The use chart in Section 620 identifies the allowed uses in the TOD District, which shall apply on effective date of this code. Non-conforming uses shall comply with the standards in Chapter 8 regarding non-conforming uses.
2. The standards within the TOD District in some cases conflict with other standards established in the Land Development Code. The standards contained within this district shall override and take precedent over other standards when in conflict with the standards of the TOD District.

C. Density/Lot Coverage

1. The minimum lot size in the TOD District is five thousand (5,000) square feet. There shall be no maximum residential density. Residential development potential shall be determined by the ability to meet the other provisions of the Land Development Code including parking, building height, setbacks and lot coverage.
2. The maximum total lot coverage shall be one hundred (100) percent.

D. Setback Requirements

1. There shall be no minimum required setbacks.
2. The maximum front yard setback shall be twenty (20) feet.

E. Building Frontage, Façade and Entry

1. All buildings shall have a minimum building frontage on a public street of seventy-five (75) percent of the frontage of the lot. The Commission may waive this requirement if the proposed land use warrants less building frontage to accommodate on-site parking on the side of the building or due to site constraints.
2. All structures require clear windows, which shall encompass at least fifty (50) percent of the building façade along the street from three (3) feet to six (6) feet and eight

(8) inches above the finished sidewalk grade.

3. At-grade, below grade and above grade parking is allowed. However, at-grade structured parking shall not be allowed unless the parking is on the interior of the structure and a liner building is present along the street frontage on the first floor.

F. Building Height. The maximum allowable building height shall be four (4) stories or fifty-eight (58) feet, whichever is less.

G. Permitted and Conditional Uses. Permitted and Conditional uses are as indicated on the Use Chart in Section 620 of this Code.

H. Access to Public Streets. Curb cuts onto major arterial streets shall be minimized; shared curb cuts and joint access are strongly encouraged. Each property shall be allowed a single curb cut in accordance with the width requirements of Section 705 unless waived by the Planning Commission upon determination that an additional curb cut is necessary to provide adequate access to the site.

I. Parking Requirements and Location

1. The parking requirements are as follows:

Land Use	Parking Requirement
Residential	1 space per unit
Lodging	1 space per room
Office	2 spaces per 1,000 SF of net office space
Retail	3 spaces per 1,000 SF of net retail space
Other	As determined by the Planning Commission based on anticipated need. The Commission shall use the requirements of Chapter 7 and other national parking standards as a guide.

2. Parking shall be provided along the rear of the lot, unless a waiver is granted in accordance with Section 608.E.1.

3. At the discretion of the Village Trustees, parking lots created as part of a development project may be accepted by the Village as municipal public parking.

4. Shared parking and connections between parking lots are encouraged to provide better access, traffic flow, and ample parking.

J. Street and Sidewalk Regulations. For the redevelopment of large (over five (5) acres) parcels within the TOD District, new streets, blocks, and lots shall be established in order to create a pedestrian friendly environment that supports a variety of transportation options. For new streets, the following standards shall be met:

1. Street Design and Layout

a) All new streets within the TOD District shall be provided as public streets. Alleys shall be privately owned and maintained. The overall number of alleys shall be limited to the minimum amount necessary to provide adequate access to the rear of buildings. Alleys shall be designed to minimize the number of access

points onto public streets.

b) New Streets shall not have a block length greater than six hundred (600) feet.

c) Sidewalks within the TOD District shall have a minimum of eight (8) feet of unobstructed width.

d) Major redevelopment projects within the TOD District shall include bike lanes at least five (5) feet in width within the development in order to provide convenient and safe bicycle access within the district. It is not expected that every new street will have a bike lane, but rather those that provide major bicycle transportation routes within the district. All new streets shall include crosswalks at all intersections, which are in compliance with the Americans with Disabilities Act.

e) Pedestrian amenities including benches, trash receptacles, and bike racks shall be incorporated into the design of new streets.

f) Street trees shall be planted every forty (40) feet on center with tree grates and structural soil (See Appendix A for Public Works Specifications). Street trees shall be placed between the pedestrian travel way and the curb.

g) New streets shall include on-street parallel or forty-five (45) degree angled parking.

h) Pedestrian street lamps shall be incorporated into all new streets. The lamps shall be full cut-off fixtures with metal halide bulbs and mounted no higher than fifteen (15) feet. Pedestrian street lamps shall be of a decorative architectural style and approved by the Planning Commission.

i) All new streets shall incorporate bus stops and shall be coordinated with the Chittenden County Transportation Authority (CCTA). The applicant shall be required to provide written comments from CCTA on the proposed bus stops and facilities.

j) New streets with parallel parking on both sides of the street shall have two eleven (11) foot travel lanes.

k) New streets with forty-five (45) degree angled parking shall have two (2) twelve (12) foot travel lanes.

K. Planned Unit Development. The Planning Commission may approve a Planned Unit Development for use as a mixed use development. In connection with such PUD approval, the Planning Commission may authorize the construction of structures and facilities to accommodate any of the uses allowed in the TOD District. Any application for proposed development in the TOD District may, at the applicant's request, be reviewed as a Planned Unit Development. Refer to Section 511.B.1-3 for general and specific review standards in addition to waiver information for a PUD.

1. Commercial PUD.

(a) Activities involving a Commercial PUD shall be reviewed in accordance with the procedures of this Section. Commercial PUD's are authorized in the Transit Oriented Development District pursuant to Section 608.K.

(b) Application Requirements. An application for a Commercial PUD shall be submitted and reviewed in accordance with the procedures of Section 511.

(c) Review Standards. An application for a Commercial PUD shall be reviewed under the applicable standards of Section 511.B.1-3.

(d) Expiration of Approval. An approval for a Commercial PUD shall expire in accordance with terms set forth in the approval.

(e) Appeals. Any interested person may appeal a decision of the Commission regarding a Commercial PUD in accordance with the procedures set forth in Section 1707.

L. Special Uses. Uses identified with an “S” on the Use Chart in Section 620 of this Code for the TOD District shall only be allowed on the first story.

SECTION 609: RESIDENTIAL-OFFICE (R-O)

A. Purpose. Provide areas for small office conversions of existing residential structures while maintaining residential type architecture. It is not the intent of this District to allow conversions which substantially alter the residential appearance of the structure or which alter the residential character of the neighborhood.

B. Density/Lot Coverage

1. The minimum lot size shall be seven thousand five hundred (7500) square feet for the first dwelling unit plus five hundred (500) square feet for each additional dwelling unit up to a maximum of four (4) dwelling units. One principal structure shall be allowed per lot.

2. The maximum total lot coverage shall be forty (40) percent.

C. Setback Requirements

1. The minimum front yard setback shall be twenty (20) feet. The front yard setback shall be established by the average setback of the principal structures on the two adjacent lots (or the closest two lots on the same side of the same street) and the minimum setback requirement for the underlying zoning district. The principal structure shall have a setback between the established maximum and minimum setback as described above. Semi-attached accessory structures (such as a deck) shall be allowed if there is sufficient space between the principal structure and the minimum setback. Porches that are integrated into the principal structure shall be considered part of the principal structure. If a principal structure is not parallel to the front lot line, the setback will be determined by the average setback at the two corners of the structure closest to the front lot line. The Planning Commission may waive this requirement if the following conditions are met:

(a) The proposed setback does not negatively impact the character of the neighborhood; and

(b) The proposed setback would be in keeping with the setbacks and character of anticipated future development of the area.

Applicants may apply for a variance if they do not meet the criteria above but believe they cannot meet the requirements of this Section.

2. The minimum side yard setback shall be eight (8) feet.

D. Permitted and Conditional Uses. Permitted and Conditional uses are as indicated on the Use Chart in Section 620 of this Code.

E. Parking Requirements. Off-street parking requirements are as specified in Section 703 of this Code.

F. Building Height. Building height shall not exceed three (3) stories or thirty-five (35) feet,

whichever is less.

G. Special Standards for Residential Conversions. Any proposed residential conversion which adds one or more dwelling units shall require Site Plan approval. In addition, the following standards shall be met:

1. Parking for additional dwelling units shall be designed to minimize impact on adjoining properties. The Commission may require that screening, landscaping, berming or other techniques be used as a condition of approval.
2. Alterations to the structure shall not substantially change the single family character of the structure. Added exits, stairways and window treatments shall be designed to protect the residential character of the structure. The Commission may require that additions or changes be screened from view by berms, fencing and/or landscaping treatments.

H. Special Standards for Office Conversions. Proposed conversions to non-residential uses shall require Conditional Use and Site Plan approval. In addition to Site Plan standards, the Commission shall review the following special standards:

1. The proposed use shall not cause significant sound or traffic impacts on adjoining properties.
2. Parking areas shall be arranged to minimize the impact on adjoining properties. Parking shall not be allowed within any front or side yard. The additional parking shall be effectively screened from ground level view of adjoining residences. The Commission may require that screening, landscaping, berming or other techniques be used as a condition of approval.
3. Signs advertising the use shall be limited to twenty (20) square feet in area and not internally illuminated. Only one sign is allowed per business. The one sign may be a freestanding, projecting or wall sign.
4. The application shall specify the number of employees and shall certify to the Commission that there will be no increase in employees without notice. Upon receipt of such notification the Commission may decide to reconsider the Site Plan approval, and shall so notify the applicant within forty-five (45) days of receipt of the notice of increased employees.
5. The application shall include an estimate of the number of daily customers. If, at a later date, the Commission should determine that the daily number of customers is significantly greater than estimated, the Commission may reconsider the Site Plan approval, and shall so notify the applicant.
6. Businesses to be allowed in this district are those which generally serve customers on an appointment only basis, and shall be restricted to the following:
 - (a) Doctor, lawyer, accountant, insurance agent, planner, engineer, architect and similar professions.
 - (b) Real estate offices and travel agencies.
 - (c) Barber shop or beauty parlor.
 - (d) Dance and gymnastics studios, provided that lessons are restricted to not more than ten (10) customers at a time.
 - (e) Retail sales associated with any of the above uses, provided that the space (including storage) allocated to retail goods shall not exceed ten (10) percent of the total floor.
 - (f) Apothecary type pharmacy as an accessory use, provided that the space

(including storage) allocated to retail goods shall not exceed ten (10) percent of the total floor.

7. The Commission may restrict hours, employees and customers, and may specify other conditions necessary to protect the residential character of the neighborhood.

8. The Commission may impose conditions on parking, traffic circulation (including prohibiting parking in front yards), drainage and landscaping as it deems necessary to protect the residential character of the neighborhood.

9. Alterations to the structure shall not substantially change the single family character of the structure. Added exits, stairways and window treatments shall be designed to protect the residential character of the structure. New construction shall be of residential construction and shall fit the established character of the neighborhood. The Commission may require that additions or changes be screened from view by berms, fencing and/or landscaping treatments.

I. Standards for Existing Non-Residential Structures. Current uses of non-residential type structures may be sold or leased to support another use, providing it is, in the opinion of the Administrative Officer, similar to the original use and intensity.

SECTION 610: OPEN SPACE DISTRICT

A. Purpose. To provide and maintain open lands within the Village and its neighborhoods, and to provide locations for public recreation and school facilities.

B. Lot Size/Lot Coverage

1. The minimum lot size shall contain three (3) acres.
2. The maximum total lot coverage shall be twenty (20) percent.

C. Setback Requirements

1. The minimum front yard setback shall be:
 - (a) For agricultural uses, forty (40) feet.
 - (b) For all other uses, fifty (50) feet.
2. The minimum side yard setback shall be:
 - (a) For agricultural uses, twenty (20) feet.
 - (b) For all other uses, fifty (50) feet.
3. The minimum rear yard setback shall be:
 - (a) For agricultural uses, twenty (20) feet.
 - (b) For all other uses, fifty (50) feet.

D. Permitted and Conditional Uses. Permitted and Conditional uses are as indicated on the Use Chart in Section 620 of this Code.

E. Parking Requirements. Off-street parking requirements are as specified in Section 703 of this Code.

F. Building Height. Building heights shall not exceed three (3) stories or thirty-five (35) feet whichever is less.

SECTION 611: LIGHT INDUSTRIAL (LI)

- A. Purpose. To provide areas for manufacturing, warehousing, research and development while maintaining high air and water quality.
- B. Density/Lot Coverage
1. The minimum lot size shall be ten thousand (10,000) square feet.
 2. The maximum total lot coverage shall be sixty-five (65) percent.
- C. Setback Requirements
1. The minimum setback from a public street shall be one hundred (100) feet.
 2. The minimum setback from an adjoining property line shall be fifty (50) feet.
- D. Permitted and Conditional Uses. Permitted and Conditional uses are as indicated on the Use Chart in Section 620 of this Code.
- E. Parking Requirements. Off-street parking requirements are as specified in Section 703 of this Code.
- F. Building Heights. The height of any structure shall not exceed four stories or fifty-eight (58) feet, whichever is less. The Commission may waive this requirement to no more than six stories or seventy-two (72) feet upon clear determination that the waiver is necessary for proper functioning of any permitted industrial use and that it will not adversely impact any surrounding properties.
- G. Special Standards. Due to the unique characteristics of this district, the following special standards shall apply:
1. Additions not exceeding two thousand (2,000) square feet in area per story and which do not generate additional employees may be approved by Staff if the addition is not visible from any adjoining public street.
 2. Additions not exceeding ten thousand (10,000) square feet in area may be approved by Staff, if following public notice of the project, a request for a public hearing is not received with fifteen (15) days of receipt of notice. The request shall be made in writing and shall state the basis for the request.
 3. The addition of structures necessary for safety, fire protection or communications which do not exceed one thousand (1,000) square feet in area per story and are not more than sixty-five (65) feet in height may be approved by Staff.

SECTION 612: PLANNED EXPOSITION (P-E)

- A. Purpose. To provide an area for special events and exposition facilities while minimizing adverse traffic, sound and visual impacts. It is the intent of this district to encourage innovation in design and to encourage pedestrian, bicycle and bus access to such events.
- B. Density/Lot Coverage
1. The minimum lot size shall be one hundred (100) acres.
 2. The maximum total lot coverage shall be forty (40) percent.

C. Setback Requirements

1. For front yards abutting commercial districts the minimum setback shall be twenty (20) feet.
2. For front yards abutting residential districts the minimum setback shall be fifty (50) feet.
3. For side and rear yards abutting commercial districts the minimum setback shall be twenty (20) feet.
4. For side and rear yards abutting residential districts the minimum setback shall be fifty (50) feet.

D. Permitted and Conditional Uses. Permitted and Conditional uses are as indicated on the Use Chart in Section 620 of this Code.

E. Parking Requirements. Off-street parking requirements shall be specifically approved by the Commission. Office uses shall meet the standards specified in "Professional Office" in Section 703(C). Other uses shall, at a minimum, meet the following standards:

1. One (1) space per three (3) seats in principal seating area or five (5) per one thousand (1,000) Square Foot of Gross Floor Area.
2. Outdoor events – One (1) space per ten (10) visitors.

F. Building Heights. The height of any structure shall not exceed thirty-five (35) feet; provided that the Commission may waive this requirement for facilities constructed a minimum of one hundred (100) feet from any property line with Conceptual Plan and Site Plan review.

G. Exposition Center PUD. The Planning Commission may approve a Planned Unit Development for use as an Exposition Center. In connection with such PUD approval, the Planning Commission may authorize the construction of structures and facilities to accommodate any of the uses allowed in the Planned Exposition District. Development activity involving an Exposition Center PUD shall be reviewed under the provisions of this Subsection. For the purposes of this Code, an Exposition Center PUD shall be defined as the development of a parcel of land with multiple buildings, vehicle parking areas and appurtenant facilities for the purpose of conducting indoor and outdoor exhibits, carnivals, fairs, concerts, trade shows and similar events.

1. Approval of an application for an Exposition Center PUD requires approval of a Conceptual Plan by the Commission in accordance with the requirements of Section 511.C.
2. If the application involves the construction of new buildings or the alteration of existing buildings or facilities, Site Plan approval is also required; see section 502.F.
3. Submittal Requirements. In addition to the requirements for submittal of a Conceptual Plan specified in Section 511.C, a Conceptual Plan for an Exposition Center PUD shall contain the following:
 - (a) The location and type of all permanent signs.
 - (b) The location of areas proposed for temporary and permanent signs which are visible from any public street.
 - (c) The general location of areas to be used for specific purposes or events, including parking.
 - (d) The general location of permanent fencing, screening and landscaping, including a description of types of plant materials.

- (e) The general location of areas to be occupied by temporary structures, including distances between buildings and from structures to property lines. Temporary structures are those not staying in one location for more than two consecutive weeks or not served by water, sewer, and electric power connections.
 - (f) The approximate location of any proposed roads, sidewalks or bike paths.
 - (g) A proposed phasing schedule and map.
 - (h) A description of methods used to estimate the impact of the proposed development on public infrastructure.
4. Standards of Review of Exposition Center PUD.
- (a) Physical characteristics of the site and relation to surrounding properties;
 - (b) Relationship to major transportation facilities, including mass transit, walkways and bike paths;
 - (c) Design characteristics of the proposal and compatibility to adjoining developed land;
 - (d) Unique design or land planning characteristics;
 - (e) Methods used to provide a transition between adjoining uses and proposed uses including, but not limited to, setbacks, screening, fencing, building design and parking design;
 - (f) The preservation of unique natural physical characteristics;
 - (g) Building design compatibility with adjoining structures; and
 - (h) Other criteria, as deemed necessary by the Commission, to evaluate the merits of a specific proposal.
5. Standards for Review of Temporary Activities in an Exposition Center PUD.
- (a) The size of the event;
 - (b) The location of the event within the Planned Exposition District;
 - (c) Anticipated traffic impacts;
 - (d) Proposed hours of operation; and
 - (e) Conformance with performance standards in Section 718 of this Code.
6. Conditions. The Commission may approve the proposed Exposition Center PUD with conditions designed to meet the standards established in Section 612 of this Code.
7. Classification and Approval of Activities. Plans for specific activities in an Exposition Center PUD shall be classified by the Community Development Department as permitted activities, temporary activities or major activities, and shall be reviewed in the following manner:
- (a) Permitted activities. Permitted activities require no permits, provided that no new or temporary structures are proposed. The applicant shall notify Staff in writing, not less than two (2) days, excluding weekends and holidays, prior to the activity to ensure that additional review is not necessary. The following are permitted activities:
 - (i) Agriculture shows or exhibitions and related sales.
 - (ii) Educational workshops.
 - (iii) Special training, including driver's education, surveying techniques and similar training activities.
 - (iv) Reunions.
 - (v) Low intensity recreation activities.
 - (vi) Offices directly related to the Fairground's activities.
 - (vii) Storage facilities for equipment to be used for maintenance of any approved event or as a seasonal use.

(viii) Horse boarding.

(b) Temporary Activities. Temporary activities require staff review and approval. An application for a Temporary Use Permit shall be submitted in accordance with Section 502.D of this Code. In addition to the Temporary Use Permit standards, Staff shall review a temporary activity under the standards in Section 612.

(i) An application for a temporary activities permit may be submitted for a series of events over a one-year period (an annual permit application) or for individual events. Approval of an annual permit application shall not preclude application for and receipt of any number of single permits for events during the same year.

(ii) Annual permit applications shall be reviewed within twenty-one (21) days of receipt.

(iii) Single permit applications shall be reviewed within forty-eight (48) hours receipt.

(iv) The following shall be deemed temporary activities:

(aa) Antique shows;

(bb) Dog shows;

(cc) Car shows;

(dd) Craft shows;

(ee) Group sales (retail associations, car dealerships, clearance sales or similar events);

(ff) Sales of products associated with another temporary or permitted event;

(gg) Concerts; and

(hh) Trade shows.

(c) Major Activities. The Planning Commission shall hold a public meeting in connection with review of a major activity, and may require a public hearing.

(i) Standards of review. The Commission shall review each application for a major activity permit on its individual merits. Special consideration shall be given to mitigation efforts proposed to reduce potential community impacts. In granting such a permit, the Commission may impose conditions regarding:

(aa) Time of the events;

(bb) Parking and traffic control measures;

(cc) Temporary off-site parking of recreational vehicles on public property;

(dd) Sound mitigation;

(ee) Location of the event within the District; and

(ff) Impacts which, in the opinion of the Commission, are reasonable and will mitigate adverse impacts.

(ii) The following shall be deemed major activities;

(aa) Any event for which a permit has been denied by Staff;

(bb) Events which last more than five (5) days (excluding set-up and take-down);

(cc) Any event which exceeds the performance standards specified in Section 718 of this Code.

(iii) Annual agricultural exhibitions shall be reviewed by staff on an

annual basis and are classified as a major use. Staff may approve all activities specified below. The Commission shall review any activity denied by Staff.

(aa) Normal Activities. Daily shows (other than grandstand shows), education workshops, product demonstrations, agricultural events, food services, booths, carnivals, and any activity within enclosed structures shall be considered as normal activities and shall not be individually reviewed.

(bb) Cumulative Effects. The cumulative effects of fair activities shall be reviewed annually with Staff, the Police Department and the applicant. Review is restricted to traffic control, lighting, parking, and sound abatement plans. Reasonable efforts shall be made to reduce potential adverse impacts of annual events. In the event that agreement is not reached, the Commission shall consider the outstanding issues at a public meeting on the next Commission agenda.

(cc) Special Events. Special events, including, but not limited to, concerts, demolition derbies, tractor pulls and other grandstand events shall be reviewed for compliance with standards for sound, dust control, parking and traffic flow. Staff may not grant waivers to any standard included in this Code. If it is expected that sound standards may be exceeded, application shall be made to the Trustees for a waiver in accordance with Section 506 of this Code. Staff may approve any special event which does not exceed standards and may impose reasonable conditions regarding control of traffic, sound and dust. In addition, Staff may stipulate hours of operation to ensure conformance with adopted standards.

8. Signs. Signs in the Planned Exposition Center PUD shall be approved by the Commission as part of Conceptual and/or Site Plan review.

(a) The Commission shall consider the following:

- (i) Compatibility with the Conceptual Plan.
- (ii) Compatibility with the adjoining property.
- (iii) Visual design.
- (iv) Landscaping.
- (v) Location and size.

(b) Specific types of signs which may be approved subject to the above, including a single sign with changeable messages to advertise events and signs near the streets to direct pedestrian, bicycle and vehicular traffic to appropriate entrances. The general location and type of Temporary signs shall be reviewed by the Commission.

9. Expiration of Approvals. Approval for an Exposition Center PUD or approvals for any activities to be conducted at such PUD shall expire in accordance with terms set forth in the approval.

10. Appeals:

(a) Any interested person may appeal a decision of the Planning Commission regarding an Exposition Center PUD or conduct of a major activity at an Exposition Center PUD in accordance with the procedures set forth in Section 1707 below.

- (b) Any interested person may appeal a decision of the Staff classifying an activity at an Exposition Center PUD to the Planning Commission in accordance with the procedures set forth in Section 1704 below.

SECTION 613: PLANNED AGRICULTURE (P-A)

A. Purpose. To provide areas for active agricultural uses and provide mechanisms to ensure the long term viability of agriculture. Prime agriculture or active farming land shall be preserved whenever possible through specific policies of the Village. Property used for agricultural purposes shall be deemed the predominant use of land and shall be protected from the adverse affects of urban developments. If development is to occur, the preservation of open space for agricultural or recreation purposes is important to the long-term environmental sustainability and quality of life in the district. Projects are reviewed on an overall project density basis to allow for the preservation of open space while achieving full build out. Open space networks and preservation of important natural resources should be integrated with new development in such a way as to allow for continued agricultural uses or emerging open space opportunities with responsible development.

B. Density/Lot Coverage

1. The minimum lot size shall be fifteen thousand (15,000) square feet.
2. The maximum total lot coverage shall be thirty (30) percent.

C. Setback Requirements

1. The minimum front yard setback shall be thirty (30) feet. The front yard setback shall be established by the average setback of the principal structures on the two adjacent lots (or the closest two lots on the same side of the same street) and the minimum setback requirement for the underlying zoning district. The principal structure shall have a setback between the established maximum and minimum setback as described above. Semi-attached accessory structures (such as a deck) shall be allowed if there is sufficient space between the principal structure and the minimum setback. Porches that are integrated into the principal structure shall be considered part of the principal structure. If a principal structure is not parallel to the front lot line, the setback will be determined by the average setback at the two corners of the structure closest to the front lot line. The Planning Commission may waive this requirement if the following conditions are met:
 - (a) The proposed setback does not negatively impact the character of the neighborhood; and
 - (b) The proposed setback would be in keeping with the setbacks and character of anticipated future development of the area.

Applicants may apply for a variance if they do not meet the criteria above but believe they cannot meet the requirements of this Section.

2. The minimum side yard setback shall be ten (10) feet.
3. The minimum rear yard setback shall be ten (10) feet.

D. Permitted and Conditional Uses. Permitted and Conditional uses are as indicated on the Use Chart in Section 620.

E. Parking Requirements. Off-street parking requirements are as specified in Section 703 of this Code.

F. Building Height. Building height for residential structures and accessory residential structures shall not exceed three (3) stories. Structures utilized for normal agricultural activities shall have no height limitation.

G. Agriculture PUD. The Planning Commission may approve a Planned Unit Development for an Agriculture PUD, and in connection with such PUD approval, approve the structures and facilities to accommodate any of the uses allowed in the Planned Agriculture District. Any application for proposed development in the Planned Agriculture District may, at the applicant's request, be reviewed as an Agriculture PUD under the provisions of this Section in this District. All development applications involving more than three (3) units of housing shall be reviewed as an Agriculture PUD.

1. Applications shall be reviewed in accordance with the procedures set forth in Section 511. If the proposed Agriculture PUD includes new or altered buildings or facilities, Site Plan approval and/or Subdivision approval may be required.
2. Submittal requirements. In addition to the submittal requirements established in Section 511, applications for an Agriculture PUD shall include the following:
 - (a) The location and acreage of land to be reserved for agricultural purposes.
 - (b) Draft legal documents to ensure the continued availability of said lands for agricultural purposes in the future.
 - (c) A description and map of areas to receive transferred development rights, if any.
 - (d) A description of methods used to preserve agricultural lands other than the transfer of development rights, if applicable.
 - (e) Other information as needed to demonstrate compliance with the purpose of Section 613 of this Code.
3. A Conceptual Plan shall be submitted which includes, at a minimum, the following information:
 - (a) Location and acreage of all prime agricultural lands in single ownership.
 - (b) Location and acreage of all land proposed to be developed.
 - (c) Sending and receiving areas of all land proposed for transfer of development rights.
 - (d) Location of all land proposed for conservation of prime agricultural lands.
 - (e) Location and acreage of land proposed to be preserved as open space in perpetuity.
 - (f) Location and acreage of any lands to be transferred to qualified land trusts or non-profit organizations.
 - (g) Proposed phasing schedule.
 - (h) Proposed methods of preserving agriculture land.
4. Standards of Review. Generally, the Commission shall consider the effect of the proposed development on the Community, public infrastructure and adjoining development. Mitigation efforts, including sound control, traffic control and landscaping shall be considered.
 - (a) General Review Standards
 - (i) Physical characteristics of the site and relation to surrounding properties.
 - (ii) Relationship to major transportation facilities, including mass transit, walkways and bike paths.
 - (iii) Design characteristics of the proposal and compatibility to adjoining

developed land.

(iv) Unique design and land planning.

(v) Methods used to provide a transition between adjoining uses and proposed uses including, but not limited to, setbacks, screening, fencing, building design and parking design.

(vi) The preservation of unique natural physical characteristics.

(vii) Building design compatibility with adjoining structures.

(viii) Other criteria, as deemed necessary by the Commission to evaluate the merits of a specific proposal.

(b) Specific Review Standards

(i) Amount of land to be preserved for agricultural purposes.

(ii) Location and type of all proposed uses.

(iii) The proposed design concept, including location and access to any non-agricultural open space.

(iv) Use of innovative techniques, including but not limited to, clustering, Zero Lot Lines development, purchase/leaseback arrangements, and the provision of amenities including biking and hiking trails.

(v) Proposed densities and location of any proposed multi-family dwelling units.

5. Density Bonuses. The Commission may approve density increases for any Planned Agricultural proposal. Density shall be calculated on an overall project basis and allowable bonus density on developable land that is preserved may be applied elsewhere in a development.

(a) Standards. The Commission shall consider the standards as specified below:

(i) The proposed density guarantees the preservation of agricultural lands.

(ii) The proposed development concept is of superior design and quality to a standard subdivision. The proposed development supports a walkable environment and pedestrian connectivity including pedestrian oriented design with attention to the relationship between blocks, lots, street, buildings and open spaces.

(iii) The proposal includes amenities, including but not limited to, pedestrian and bikeways, passive and active open spaces, energy efficient designs and alternative energy sources including renewable energy sources.

(iv) The provision of elderly housing.

(v) The provision of affordable housing.

(b) Bonuses. If the proposal clearly meets the intent of this District and preserves agricultural lands for either agricultural or recreational purposes, the applicant may request bonuses not to exceed the following:

(i) Total density bonus may not exceed an additional one hundred (100) percent of the base density on all developable land.

(ii) Twenty-five (25) percent density bonus for all preserved developable land, to be applied elsewhere on the site.

(iii) One (1) additional residential unit per unit that is perpetually affordable to households earning no more than eighty (80) percent of median income as allowed per district.

Any proposed development under Section 613.G.2 - Exceptions shall not qualify

for density bonuses.

(c) Special Residential Standards. Upon approval and construction of any residential development, agricultural uses are prohibited in the developed area with the following exceptions:

- (i) Specific agricultural uses which are approved by the Commission as part of a Planned Unit Development Conceptual Plan shall be allowed.
- (ii) Barbed wire fencing may be used to separate the agricultural activities from the boundaries of any residential subdivision.
- (iii) Horse trails may be allowed as part of the proposed development.
- (iv) Lots which are ten (10) acres or more in area may have agricultural uses, provided animals are not kept within twenty-five (25) feet of the property boundaries.

6. Conditions. The Commission may approve the proposed Agriculture PUD with conditions designed to meet the standards established in Section 613 of this Code.

7. Expiration of Approval. An approval for an Agriculture PUD shall expire in accordance with terms set forth in the approval.

8. Appeal. Any interested person may appeal a decision of the Commission regarding an Agriculture PUD in accordance with the procedures set forth in Section 1707 below.

SECTION 614: FLOOD PLAIN (F-P)

The purpose of this district is to promote the public health, safety and general welfare, to prevent increases in flooding caused by excessive development of land in flood hazard areas, and to minimize losses due to floods. Uses within these areas should be restricted to agricultural, outdoor recreational and conservation uses not involving structural improvements. The flood plain district is as indicated on the official Zoning Map and as identified by the Department of Housing and Urban Development, Federal Insurance Administration (FIA) Flood Insurance Rate Maps (FIRM) dated January 2, 1981.

FLOOD PLAIN REGULATIONS. These regulations shall apply to all areas included in the F-P Flood Plain District, or all lands identified as areas of special flood hazard on the most recently available Flood Insurance Rate Maps, at time of submittal of application.

Permitted Uses: Agriculture and Accessory Uses.

Conditional Uses: Recreational facilities not involving the use of structures, flood control works, structures other than dwellings and/or commercial buildings.

A. Review Procedures

1. Prior to issuing a permit for the construction of new buildings, the substantial improvement of existing buildings, or for development in the floodway, a copy of the application shall be submitted to the Vermont Department of Water Resources and Environmental Engineering in accordance with 24 V.S.A. 4409. A permit may be issued only following receipt of comments from the Department or the expiration of 30 days from the date the application was mailed to the Department, whichever is sooner.

2. Adjacent communities and the Vermont Department of Water Resources and Environmental Engineering shall be notified at least 15 days prior to issuing any permit for the alteration or relocation of a watercourse and copies of such notification shall be

submitted to the Administrator of the Federal Insurance Administration.

3. Proposed development shall be reviewed to assure that all necessary permits have been received from those governmental agencies from which approval is required by Federal or State Law.

B. Base Flood Elevations and Floodway Limits

1. Where available, the base flood elevations and floodway limits provided by the National Flood Insurance Program in the Flood Insurance Study and accompanying maps shall be used to administer the provisions of these regulations.

2. In areas where base flood elevations and floodway limits have not been provided by the National Flood Insurance Program, base flood elevation and floodway information available from State or Federal agencies or other sources shall be obtained and reasonably utilized to administer the provisions of these regulations.

C. Development Standards

1. All development shall be designed to:

(a) Minimize flood damage to the proposed development and to public facilities and utilities; and

(b) To provide adequate drainage to reduce exposure to flood hazards.

2. Structures shall be:

(a) Designed (or modified) and adequately anchored to prevent flotation, collapse, or lateral movement of the structure during the occurrence of the base flood;

(b) Be constructed with material resistant to flood damage;

(c) Be constructed by methods and practices that minimize flood damage; and

(d) Be constructed with electrical, heating, ventilation, plumbing, and air conditioning equipment and other service facilities that are designed and/or located so as to prevent water from entering or accumulating within the components during conditions of flooding.

3. The flood carrying capacity within any altered or relocated portion of a watercourse shall be maintained.

4. New and replacement water supply and sanitary sewage systems shall be designed to minimize or eliminate infiltration of flood waters into the systems and discharges from the systems into flood waters.

5. On-site waste disposal systems shall be located to avoid impairment to them or contamination from them during flooding.

6. New and replacement manufactured homes shall be elevated on properly compacted fill such that the top of the fill (the pad) under the entire manufactured home is above the base flood elevation.

7. Development within the floodway is prohibited unless a registered professional engineer certifies that the proposed development will not result in any increase in flood levels during the occurrence of the base flood.

8. The lowest floor, including basement, of all new buildings shall be at or above the base flood elevation.

9. Existing buildings to be substantially improved for residential purposes shall be modified or elevated to meet the requirements of Subsection 8 (above).

10. Existing buildings to be substantially improved for non-residential purposes shall either:

- (a) Meet the requirements of Subsection 8 (above); or
- (b) Be designed to be watertight below the base flood elevation with walls substantially impermeable and with structural components having the capability of resisting hydrostatic and hydro-dynamic loads and effects of buoyancy. A permit for a building proposed to be flood proofed shall not be issued until a registered professional engineer or architect has reviewed the structural design, specifications and plans, and has certified that the design and proposed methods of construction are in accordance with accepted standards of practice for meeting the provisions of this Subsection.

11. Junkyards and storage facilities for floatable materials, chemicals, explosives, flammable liquids, or other hazardous or toxic materials, are prohibited within the floodway. These facilities may be permitted outside the floodway, provided the area is filled to at least one foot above the base flood elevation.

12. All new construction and substantial improvements with fully enclosed areas below the lowest floor that are subject to flooding shall be designed to automatically equalize hydrostatic flood forces on exterior walls by allowing for the entry and exit of floodwaters. Designs for meeting this requirement must either be certified by a registered professional engineer or architect or meet or exceed the following minimum criteria: A minimum of two openings having a total net area of not less than one square inch for every square foot of enclosed area subject to flooding shall be provided. The bottom of all openings shall be no higher than one foot above grade. Openings may be equipped with screens, louvers, valves, or other coverings or devices provided that they permit the automatic entry and exit of floodwaters.

13. Recreational vehicles placed on sites within Zones A1-A30, AH and AE shall either:

- (a) Be on the site for fewer than 180 consecutive days;
- (b) Be fully licensed and ready for highway use; or
- (c) Meet all standards of Section 603(B)(1) of the National Flood Insurance Program Regulations and the elevation and anchoring requirements for “manufactured homes” of Section 603(C)(6).

D. Duties and Responsibilities of Staff. The Administrative Officer shall maintain records of:

1. All permits issued for development in areas of special flood hazard.
2. The elevation, in relation to mean sea level, of the lowest floor, including basement, of all new or substantially improved buildings.
3. The elevation, in relation to mean sea level, to which buildings have been flood proofed.
4. All flood-proofing certifications required under this regulation.
5. All variances and justification for their issuance.

E. Variances to the Development Standards. Variances shall be granted by the Board of Adjustment only:

1. In accordance with the provision of 24 V.S.A. Section 4468.
2. Upon a determination that during the base flood discharge the variance will not result in increased flood levels.
3. Upon a determination that the structure or other development is protected by methods that minimize flood damage during the base flood and create no additional

threats to public safety.

SECTION 615: MIXED COMMERCIAL USE DISTRICT (MCU)

- A. Purpose. To provide areas for mixed use development in locations which have adequate public and compatible surrounding land uses. A mix of residential, retail and office use is encouraged.
- B. Lot Size/Lot Coverage
1. The minimum lot size shall be fifteen thousand (15,000) square feet. The Mixed Commercial Use District shall not have a maximum allowable density. The maximum number of dwelling units shall be determined by the ability to meet the standards of the Land Development Code including, but not limited to, parking, setbacks, lot coverage and building height.
 2. The maximum total lot coverage shall be sixty-five (65) percent; the sixty-five (65) percent lot coverage may be increased up to eighty (80) percent through a waiver process granted by the Planning Commission using the same criteria outlined in Section 601.G.
- C. Setback Requirements
1. The minimum front yard setback shall be twenty (20) feet.
 2. The minimum side yard setback shall be ten (10) feet.
 3. The minimum rear yard setback shall be ten (10) feet.
- D. Permitted and Conditional Uses. Permitted and Conditional uses are as indicated on the Use Chart in Section 620 of this Code.
- E. Parking Requirements. Off-street parking requirements are as specified in Section 703 of this Code.
- F. Building Height. Building heights shall not exceed four (4) stories or fifty-eight (58) feet, whichever is less.
- G. Planned Unit Development. The Planning Commission may approve a Planned Unit Development for use as a Commercial or Multi-Family Residential Development. In connection with such PUD approval, the Planning Commission may authorize the construction of structures and facilities to accommodate any of the uses allowed in the Mixed Commercial District. Any application for proposed development in the Mixed Commercial District may, at the applicant's request, be reviewed as a Planned Unit Development. Any application for proposed development in the Mixed Commercial District which contains more than two thousand five hundred (2,500) square feet of commercial space shall be reviewed as a Planned Unit Development or Multi-Family Residential Development unless this requirement is specifically waived by the Commission. Review standards and waiver requirements for a PUD are set forth in Section 511.B.1-3.

SECTION 616: PROFESSIONAL OFFICE OVERLAY DISTRICT

- A. Purpose. A Professional Office Development Overlay District is to allow for the

development of office buildings within areas of existing offices, and as designated on the Future Land Use Map in the Village Comprehensive Plan.

B. Review. All proposed Professional Office Developments shall require a hearing before the Commission. The Commission shall consider the following criteria and may establish conditions as deemed necessary to meet the purposes of this Section.

1. Compatibility with surrounding office uses.
2. Hours of operation.
3. The proposed use will not interfere with or alter the residential uses of adjoining properties.
4. Permitted Uses. Specific uses shall be determined by the Commission upon review of an application and finding that the proposal meets all the criteria of this Section. However, retail and industrial uses shall not be allowed. Residential uses shall be allowed as a Conditional use. The residential density shall not exceed ten (10) units per acre.

C. The Commission may establish conditions as deemed necessary to mitigate impacts of a proposed Professional Office Development.

D. Site Plan. In addition to the Site Plan Standards specified in this Code, the Commission shall review the following:

1. Lighting shall not negatively impact adjoining residential properties and the use of flood lighting is expressly prohibited.
2. Parking areas shall be screened from view from adjoining residential properties.
3. All structures shall be designed to be compatible in construction with adjoining structures.
4. Proposed signs shall be specifically approved.

SECTION 617: NORTH LINCOLN STREET OVERLAY DISTRICT (NLSO)

A. Purpose. The North Lincoln Street Overlay District is intended to allow additional land uses beyond those allowed by the underlying zoning district due to the fact that the properties within this district are not served by municipal sewer and the property is relatively isolated.

B. Permitted Uses. Uses allowed in the NLSO shall be those uses identified in Section 620 Use Chart, including all uses identified in both the NLSO and the underlying zoning district.

C. Dimensional Standards. Development within the NLSO shall meet the dimensional requirements of the underlying zoning district including setbacks, lot coverage and building height.

D. Density. The allowable residential density in the NLSO shall be established by the underlying zoning district.

SECTION 618: RESIDENTIAL 1 (R-1)

A. Purpose. To provide areas for large lot single family residential dwellings and accessory uses.

B. Lot Size/Lot Coverage

1. The minimum lot size shall be fifteen thousand (15,000) square feet. No more than one (1) principal structure shall be allowed per lot, unless approved as part of a Planned Development.
2. The maximum total lot coverage shall be forty (40) percent. However, the maximum permitted lot coverage for buildings shall not exceed twenty-five (25) percent.

C. Setback Requirements

1. The minimum front yard setback shall be twenty (20) feet. The front yard setback shall be established by the average setback of the principal structures on the two adjacent lots (or the closest two lots on the same side of the same street) and the minimum setback requirement for the underlying zoning district. The principal structure shall have a setback between the established maximum and minimum setback as described above. Semi-attached accessory structures (such as a deck) shall be allowed if there is sufficient space between the principal structure and the minimum setback. Porches that are integrated into the principal structure shall be considered part of the principal structure. If a principal structure is not parallel to the front lot line the setback will be determined by the average setback at the two corners of the structure closest to the front lot line. The Planning Commission may waive this requirement if the following conditions are met:
 - (a) The proposed setback does not negatively impact the character of the neighborhood; and
 - (b) The proposed setback would be in keeping with the setbacks and character of anticipated future development of the area.

Applicants may apply for a variance if they do not meet the criteria above but believe they cannot meet the requirements of this Section.

2. The minimum side yard setback shall be eight (8) feet.
3. The minimum rear yard setback shall be twenty-five (25) feet.

D. Permitted and Conditional Uses. Permitted and Conditional uses are as indicated on the Use Chart in Section 620 of this Code.

E. Parking Requirements. Off-street parking requirements are as specified in Section 703 of this Code.

F. Building Height. Building heights shall not exceed three (3) stories or thirty-five (35) feet, whichever is less.

SECTION 619: RESIDENTIAL 2 (R-2)

A. Purpose. To provide areas for high-density single family residential development and accessory uses.

B. Lot Size/Lot Coverage

1. The minimum lot size shall be seven thousand five hundred (7,500) square feet. No more than one (1) principal structure shall be allowed per lot unless approved as part of a Planned Development.
2. The maximum total lot coverage shall be forty (40) percent. However, the maximum permitted lot coverage for buildings shall not exceed twenty-five (25) percent.

C. Setback Requirements

1. The minimum front yard setback shall be fifteen (15) feet. The front yard setback shall be established by the average setback of the principal structures on the two adjacent lots (or the closest two lots on the same side of the same street) and the minimum setback requirement for the underlying zoning district. The principal structure shall have a setback between the established maximum and minimum setback as described above. Semi-attached accessory structures (such as a deck) shall be allowed if there is sufficient space between the principal structure and the minimum setback. Porches that are integrated into the principal structure shall be considered part of the principal structure. If a principal structure is not parallel to the front lot line the setback will be determined by the average setback at the two corners of the structure closest to the front lot line. The Planning Commission may waive this requirement if the following conditions are met:

- (a) The proposed setback does not negatively impact the character of the neighborhood; and
- (b) The proposed setback would be in keeping with the setbacks and character of anticipated future development of the area.

Applicants may apply for a variance if they do not meet the criteria above but believe they cannot meet the requirements of this section.

2. The minimum side yard setback shall be eight (8) feet.

3. The minimum rear yard setback shall be twenty-five (25) feet for principal structures and fifteen (15) feet for accessory structures.

D. Permitted and Conditional Uses. Permitted and Conditional uses are as indicated on the Use Chart in Section 620 of this Code

E. Parking Requirements. Off-street parking requirements are as specified in Section 703 of this Code.

F. Building Height. Building heights shall not exceed three (3) stories or thirty five (35) feet, whichever is less.

SECTION 620: USE CHART

A. District Abbreviations. For the purposes of this Code, and for the chart presented in this Section, the zoning districts shall have the following abbreviations:

1. Multi-Family Residential 1 District (MF1).
2. Multi-Family Residential 2 District (MF2).
3. Multi-Family Residential 3 District (MF3).
4. Village Center District (VC).
5. Highway-Arterial (HA)
6. Multi-Family/Mixed Use-1 District (MF-MU1)
7. Multi-Family/Mixed Use-2 District (MF-MU2)
8. Transit Oriented Development (TOD)
9. Residential-Office District (RO).
10. Open Space (OS)
11. Light Industrial District (LI).
12. Planned Exposition District (PE).
13. Planned Agriculture District (PA).

14. Flood Plain District (FP).
15. Mixed Commercial Use District (MCU).
16. Professional Office Overlay District
17. North Lincoln Street Overlay District (NLSO).
18. Residential 1 District (R1).
19. Residential 2 District (R2).

B. Permitted Uses. Uses considered to be permitted uses in each district are marked with an "X".

C. Conditional Uses. Uses considered to be conditional uses in each district are marked with a "C".

D. Special Uses. Uses which are generally permitted; but require specific reviews or approvals by the Commission to determine applicability at a specific location are marked with a "S".

E. The Use Chart. The following chart indicates uses specifically allowed within each district. Qualifications and other additional requirements can be found in the applicable zoning district standards elsewhere in this Code.

CHAPTER 7: GENERAL DEVELOPMENT STANDARDS

SECTION 701: PURPOSE. The purpose of this Chapter is to provide development standards related to specific land uses and/or development standards for any use permitted by any provision of this Code. The regulations as established by this Chapter supplement and do not supersede other requirements of this Code.

SECTION 702: APPLICABILITY. The regulations and standards of this Chapter shall apply to all applications for development approval as required by this Code.

SECTION 703: PARKING AND LOADING

A. **Purpose of Parking and Loading Provisions.** To ensure the adequate provision of parking and loading facilities for all development within the Village.

B. **Loading Requirements.** All uses shall provide off-street loading spaces except residential uses or other uses specifically waived by the Commission in accordance with Subsection 7 below.

1. **Location.** All loading spaces shall be located on the same lot as the principal use. Loading spaces shall minimize circulation conflicts on the lot. Loading areas shall not be calculated to include required off-street parking spaces.
2. **Size.** All loading spaces shall be of sufficient size to allow necessary maneuvering for deliveries without encroaching upon the public right-of-way, parking spaces, or internal parking lot circulation unless a specific waiver is approved by the Commission. Loading spaces shall be fifteen (15) feet wide by twenty-five (25) feet in length. The Commission may require greater dimensions if deemed necessary to handle projected truck traffic volumes.
3. **Surfaces.** All loading areas shall be hard-surfaced and clearly marked with painting to designate the loading area. This requirement may be waived by Staff or the Planning Commission.
4. **Combination of uses.** Loading spaces may be designed to serve one or more businesses located in the same building or on the same lot. The Commission may approve joint usage on adjacent lots provided a written agreement is submitted and filed with a deed.
5. **Ratios.** One (1) space for the first five thousand (5000) square feet of gross floor area. One (1) additional space for each additional thirty thousand (30000) square feet of gross floor area.
6. **Other standards.** Loading areas shall meet screening, landscaping, lighting, and other development standards as specified herein.
7. **Waivers.** All waiver requests shall be submitted in writing. Staff may approve a waiver request for a change in use which does not increase loading requirements or any building expansion which does not exceed five hundred (500) square feet of gross floor area. The Commission may approve waiver requests under the following circumstances.
 - (a) The proposed use will require minimal deliveries which will not interfere with the traffic circulation on the lot.
 - (b) Deliveries are made during non-business hours.
 - (c) Existing development makes it impossible to meet loading standards.

The Commission may require that waivers be filed with Town Land records and that a statement be attached that any change in use may require the construction of loading facilities.

C. Off-Street Parking Requirements.

1. All required parking spaces, with the exception of parallel parking spaces, shall have a minimum width of nine (9) feet and a minimum length of eighteen (18) feet. Parallel parking spaces shall have a minimum width of eight (8) feet and minimum length of twenty-two (22) feet.
2. Parking lot aisles shall meet the following minimum dimensional standards:

PARKING PATTERN	MINIMUM ONE-WAY AISLE WIDTH	MINIMUM TWO-WAY AISLE WIDTH
90° PERPENDICULAR	TWENTY'	TWENTY- FOUR
60° ANGLE	EIGHTEEN'	TWENTY- FOUR
45° ANGLE	SIXTEEN'	TWENTY- FOUR
30° ANGLE	FOURTEEN'	TWENTY- FOUR
PARALLEL	TWELVE'	TWENTY- FOUR

The following is a list of parking requirements. Based on the calculations below, fractions of a space shall be rounded up when the fraction of a space is one half (0.5) or above and rounded down when the fraction is below one half (0.5). The required number of off-street parking spaces shall be as follows:

LAND USE\BUILDING TYPE	REQUIRED PARKING SPACES
AUTO REPAIR\PAINTING	2.0 PER 1,000 SFGFA*
BANK	3.3 PER 1,000 SFGFA*
BANK WITH DRIVE-THROUGH TELLER	3.0 PER 1,000 SFGFA*
BOWLING ALLEY	4.5 PER LANE
CHURCH\SYNAGOGUE	.5 PER SEAT OR 22 LINEAR INCHES OF BENCH
CLEANERS	1.5 PER 1,000 SFGFA
CONSTRUCTION SERVICES ESTABLISHMENT	2.5 PER 1,000 SFGFA*
CONVENIENCE STORE	7.5 PER 1,000 SFGFA*
DEPARTMENT\DISCOUNT STORE	4.5 PER 1,000 SFGFA*
DRIVE-THROUGH FACILITY	3 SPACES PER DRIVE-THROUGH WINDOW
EATING AND DRINKING ESTABLISHMENT	1 PER 100 SQUARE FEET OF CUSTOMER SERVICE AREA

LAND USE\BUILDING TYPE	REQUIRED PARKING SPACES
FAST FOOD RESTAURANT	MINIMUM – 6 SPACES PER 1,000 SQUARE FEET OF CUSTOMER AREA MAXIMUM – 10 SPACES PER 1,000 SQUARE FEET OF CUSTOMER AREA
FUNERAL HOME	MINIMUM – 1 PER 150 SFGFA* MAXIMUM – 1 PER 75 SFGFA*
FURNITURE STORE	2 PER 1,000 SFGFA*
HARDWARE STORE	3 PER 1,000 SFGFA*
HOSPITAL/CLINIC	1.5 PER BED
HOTEL/MOTEL EXTENDED STAY	1 PER ROOM
INDUSTRIAL PARK	1.6 PER 1,000 SFGFA**
LANDSCAPE SERVICE	1.5 PER 2 EMPLOYEES + 1 PER BUSINESS VEHICLE
LAUNDROMAT	5.0 PER 1,000 SFGFA
MANUFACTURING (LIGHT AND HEAVY	1 PER 1,000 SFGFA *UP TO 20,000 SQUARE FEET 1 PER 2,000 SFGFA ABOVE 20,000 SQUARE FEET
MEDICAL CLINIC	3.5 PER 1,000 SFGFA*
MEDICAL AND DENTAL LAB	1.5 PER EMPLOYEE
MUSEUM/CULTURAL FACILITY	3.3 PER 1,000 SFGFA**
NURSING HOME	.33 PER ROOM
PERSONAL SERVICES ESTABLISHMENT	2.0 PER 1,000 SFGFA +1 PER CUSTOMER SERVICE STATION
PRINT/COPY SHOP	2.5 PER 1,000 SFGFA*
PROFESSIONAL OFFICE	3.5 PER 1,000 SFGFA*
RECREATION CENTER	4 PER 1,000 SFGFA*
RESIDENTIAL: ACCESSORY APARTMENT BED AND BREAKFAST BOARDING HOUSE DORMITORY DUPLEX ELDERLY HOUSING FRATERNITY/SORORITY GROUP HOME MULTI-FAMILY SINGLE FAMILY TRIPLEX	1 PER UNIT 1 PER SLEEPING ROOM +2 PER DWELLING 1 PER ROOM 1 PER ROOM 2 PER DWELLING UNIT .5 PER DWELLING UNIT 1.5 PER 1,000 SFGFA* .3 PER SLEEPING ROOM 2 PER DWELLING UNIT PLUS 1 GUEST SPACE FOR EACH 10 UNITS 2 PER DWELLING UNIT 2 PER DWELLING UNIT
RETAIL SALES ESTABLISHMENT	2.5 PER 1,000 SFGFA*
SERVICE STATION	5.5 PER 1,000 SFGFA*

LAND USE\BUILDING TYPE	REQUIRED PARKING SPACES
SHOPPING CENTER	PARKING REQUIREMENT SHALL BE BASED ON THE NET USES OF THE SHOPPING CENTER.
SPORTS CLUB/HEALTH SPA	5 per 1,000 SFGFA*
WAREHOUSE, MINI	.25 PER 1,000 SFGFA*
WAREHOUSE	.25 PER 1,000 SFGFA*
VETERINARY CLINIC	2.5 PER 1,000 SFGFA*
* SFGFA=Square feet of gross floor area. ** SFGRA=Square feet of retail floor area	

D. Drive-through Facilities.

1. Location. Drive-through facilities shall not utilize required parking spaces to meet stacking requirements. Facilities shall be designed to minimize conflicts with other on-site vehicular and pedestrian traffic.
2. Stacking requirements. A minimum of six (6) vehicles shall be accommodated in each stacking lane.

E. Parking or storage of junk vehicles. The parking or storage of any unregistered or junk vehicle is prohibited except as provided in a vehicle repair facility unless screened from view from the adjoining street and property line. No junk vehicle may be parked or stored within any required setback. No such vehicle parked, or stored on any lot shall decrease the required number of parking spaces. In no instance may junk vehicles be parked and stored in any Residential District except for one personally owned vehicle which is totally screened from view.

F. Parking of Commercial Vehicles in Residential Areas. The parking or storage of commercial vehicles shall not exceed one commercial automobile, pick-up or van at a residence.

G. Parking of Recreational Vehicles. Recreational vehicles shall meet the following requirements:

1. No more than one such vehicle may be parked in a driveway or front yard. Vehicle must be parked outside of the required setbacks.
2. No such vehicle, parked or stored, on any lot shall decrease the required number of parking spaces.
3. The parking of a recreation vehicle owned by visitors may be temporarily parked for a period of time not to exceed three (3) consecutive weeks.
4. Any recreational vehicle parked or stored on any residential lot for a period exceeding one (1) month shall be located in an enclosed garage, a carport, or a rear yard, except one (1) vehicle may be placed in a side yard to the rear of the front setback.

H. Parking of Recreational Vehicles on Public Property.

The Planning Commission may allow for the temporary off-site parking of recreational vehicles on public property provided it is reviewed and approved as part of a major event taking place within the Planned Exposition District. The Planning Commission may place conditions upon any approval in the following areas:

1. Time limits may be established for the use;
2. Maximum number of vehicles allowed;
3. Traffic safety measures; and
4. Conditions to ensure conformance with performance standards set forth in Section 718 and other applicable standards of the Code.

I. Vehicles For Sale. Any vehicle advertised for sale within any District and not in an approved car lot shall obtain a Temporary Use Permit except as specified below and shall meet the following standards:

1. Within any residentially zoned District, one (1) personal vehicle, which is properly registered to an occupant of the property, may be offered for sale at one time without a Temporary Use Permit.
2. Vehicles for sale may be parked only in designated drive-ways or parking areas and shall not be parked within any required setbacks.
3. No vehicle for sale may be parked in any public right-of-way in any district for more than twenty-four hours.
4. Vehicles for sale and parked in any parking lot for more than four (4) hours shall obtain written permission from the property owner. No more than two (2) Temporary Use Permits shall be granted for any parking lot at any time.
5. Nothing in this Section shall allow the sale of one or more vehicles within any District, or within the public right-of-way, for commercial purposes without full compliance with all provisions of this Code.

J. Parking of Storage Trailers, Storage Boxes and Similar Structures. The parking of storage trailers, storage boxes, railroad cars, or similar structures for storage of personal or business property is expressly prohibited in all districts unless a Temporary Use Permit has been granted. Temporary structures for construction purposes shall be allowed only during the time of construction. Temporary structures for storage of personal or business property shall be allowed for a period not to exceed three (3) months with a Temporary Use Permit. Temporary storage structures shall be located in a side or rear yard outside of the front setback.

K. Other Parking Standards and Applicability

1. Location. All parking lots shall require Site Plan Review. All parking lots shall be located on the lot for which the parking requirement was generated unless specific alternatives are approved by the Commission. The Commission may waive the required number of off-street spaces for a proposed development only if sufficient alternative parking is available or if a waiver is granted in accordance with Section 703.K.15.
2. Parking Lot Fund. The Commission may accept payment in lieu of construction of on-site parking spaces. The cash payment shall be placed in a public parking lot improvements fund. The value of any payments in lieu of construction shall be calculated by multiplying the required number of parking spaces times an average parking space cost. The applicant shall provide an average construction cost which shall be reviewed by the Village. The Commission may authorize payments in lieu of parking only within the Village Center District or within any commercial district where the Capital Budget includes the construction of public parking facilities which would serve the proposed business as well as the surrounding commercial area.
3. Surfacing. All parking areas shall be hard-surfaced. Residential driveways

serving up to five (5) homes may be gravel, but the driveway apron and any portion in the public right-of-way must be paved twenty (20) feet beyond the edge of the public right-of-way. The Commission may waive this requirement for parking lots in accordance with Section 713.

4. Drainage. All parking lots shall be designed to minimize stormwater run-off on adjacent properties and in no case shall the stormwater flow be allowed to increase. To the extent possible, run-off shall be contained on the lot. All drainage facilities shall be constructed in accord with Public Works Specifications contained in Appendix A of this Code. Drainage calculations shall be completed for a base twenty five (25) year storm. Unless specifically approved otherwise, or contained upon the lot, all facilities shall be connected to the Village stormwater system.

5. Accessible provisions. All parking lots shall provide hard-surfaced accessible spaces which are clearly designated, marked, and signed for accessible use only. All accessible spaces shall conform to the American with Disabilities Act. The following number of spaces shall be provided:

Total Parking in Lot	Required Minimum Number of Accessible Spaces
1 to 25	1
26 to 50	2
51 to 75	3
76 to 100	4
101 to 150	5
151 to 200	6
201 to 300	7
301 to 400	8
401 to 500	9
501 to 1000	2 percent of total
1001 and over	20 plus 1 for each 100 over 1000

6. Off-site parking - commuter lots. Commuter lots may be approved by the Commission with Site Plan Review and Approval.

7. Setbacks. All parking spaces shall meet the setback standards for the District in which it is located.

8. Screening. The screening requirements of Section 708 shall apply to the perimeters of all parking lots. In addition, the Commission may require screening for any parking lots located within any front yard. Screening shall emphasize the separation of parking lots from adjoining public streets to minimize glare from vehicle headlights onto public streets. The use of berms and landscape materials is the preferred method of screening. The Commission may approve fencing, if it determines the more preferred methods are impractical.

9. Landscaping. All parking lots shall be landscaped as specified in Section 719 of this Code.

10. Pedestrian access. The design of all parking lots shall incorporate measures to minimize safety hazards to pedestrians. Pedestrian paths shall be designated and clearly marked. Separation of vehicle and pedestrian traffic shall be included in all parking lot

plans where possible. The Commission may waive this requirement due to unique characteristics of the lot such as small lots, underground parking or innovative alternative designs.

11. Bicycle access. Parking lots shall be designed to encourage bicycle access. Any parking lot which is required to have fifteen (15) or more parking spaces shall provide bicycle racks at a location convenient to the main entrance to the business. The Commission may waive this requirement if in their judgment the business will not generate bicycle traffic.

12. Striping. Hard surfaced parking spaces shall be clearly striped and maintained and shall meet standard parking dimensional requirements as specified in Section 703.

13. Traffic Control Signs. The Commission may require the use of uniform ingress and egress signs, traffic control signs, and other signs as necessary to direct the flow of traffic.

14. Lighting. Lighting shall be provided in all parking lots and related walkways as specified in Section 704 of this Code.

15. Joint Parking Facilities. Joint parking arrangements may be approved by the Commission, provided that the applicant has submitted legal documentation to guarantee continued long-term availability of said parking. Within any shopping center or other areas where joint parking has been established, the Commission may not approve any site plan and site plan amendments or other use changes which would increase parking needs, or any waivers of parking requirements, until the applicant has submitted proof of notice to all tenants or shared parking participants of the proposed change.

16. Waivers. The Commission may waive some or all parking requirements and may place conditions on a waiver as necessary to guarantee adequate parking. The Commission may require any change in use on any property where a waiver has been granted to be reviewed for parking impacts, and the change shall be prohibited if it is deemed to generate a parking deficiency. The Commission shall determine that one or more of the following standards are met at a specific location prior to granting a waiver:

- (a) The proposed uses have staggered business hours with minimal overlap in business hours which allow for shared use of parking spaces.
- (b) The applicant presents evidence that the parking requirements are excessive based upon new parking studies, traffic engineering data, or obvious and apparent existing parking demands.
- (c) The applicant demonstrates that the demand for parking is reduced because the type of business proposed generates substantial pedestrian traffic.
- (d) The applicant demonstrates that sufficient off-street parking is available at other locations within two hundred (200) feet which are, or have been approved by the Commission.
- (e) The use of mass transit; or other alternate transportation reduces parking demand.
- (f) Joint parking facilities with abutting businesses are sufficient to meet parking demand.
- (g) The latest edition of the ITE Parking Manual, or other professional source, provides data which demonstrates that the parking demand for a proposed use is less than the standards specified in this Code.

SECTION 704: LIGHTING

A. Purpose. To provide appropriate outdoor lighting adjacent to buildings, streets, sidewalks, and within parking areas for public safety and to minimize glare on streets and adjoining properties while minimizing energy use through the use of efficient fixtures and minimizing the use of lighting during non-business hours or when activity is not occurring on-site.

B. General Standards. Lighting is allowed in required yards and shall be subject to the following regulations:

1. Lights shall be used for the purpose of illumination, including security lighting, and not for advertising purposes.
2. The operation of searchlights is prohibited except for public safety purposes.
3. All light fixtures shall be hooded or shielded and directed downward at sixty (60) degrees to horizontal, unless otherwise approved, and shall have concealed light sources.
4. Light sources shall not be visible at property lines.
5. Intermittent lighting, except for holiday lighting, may not be used.
6. Lighting devices may not produce direct or reflected glare on adjoining properties or streets.
7. All private residential exterior light sources shall be Dark Sky Compliant.
8. Lighting for emergency purposes or lighting required on any structure for public safety purposes shall be exempt from the provisions of this section as approved by the Planning Commission.
9. Lighting shall only be used as necessary for the operation of a business or activity. Lights shall be placed on a timer; an operations plan must be approved as part of a development application for the project site. Lighting plans may include the use of some, but not all, of on-site lighting during non-hours of operation.

C. Review of Lighting Plans

The installation of or replacement of any outdoor lighting fixtures of new design shall require a zoning permit with the exception of single and two (2) family dwellings. If the proposed lighting is associated with a project that requires Site Plan Review, the Planning Commission shall review and approve the lighting plan. If site plan is not required, staff shall review the lighting plan to ensure conformance with Section 704.

Applicants shall submit an exterior lighting plan for the Village's review. The plan shall include the following information:

1. A Site Plan drawn to a maximum scale of one (1) inch to twenty (20) feet, to include building footprint, landscaping, parking areas; and all proposed lighting fixtures, unless another scale is approved by staff;
2. Specifications for all proposed lighting fixtures including a manufacturer's catalog cut and photometric data showing numerical grid of lighting levels, in foot candles, that fixtures will produce on the ground.
3. Proposed mounting height and wattage of all exterior lighting fixtures;
4. For all parking areas, drives, and walkways an analysis and illuminance level diagram showing a numerical grid of lighting levels, in foot candles, and a table of lighting statistics verifying that the proposed installation conforms to the lighting standards in this section; and building elevations with fixtures, portions of wall to be

illuminated.

D. Parking Lot Illumination

1. For parking lots of ten (10) spaces or more, pole lighting is required to be used to provide even illumination for parking spaces and interior walkways.
2. Light fixtures shall be located no more than five (5) feet outside the perimeter of the parking area.
3. All light fixtures shall be hooded or shielded and downward directed at sixty (60) degrees to horizontal, unless otherwise approved, and shall have concealed light sources.
4. Wood utility or similar poles may not be used to mount light fixtures unless specifically approved by the Commission. Decorative poles of wood or other materials may be approved by the Commission upon determination that they are visually compatible with the design of the development.
5. Energy saving LED lamps with a correlated color temperature not exceeding four thousand three hundred (4,300) Kelvin (K) shall be used. Special alternatives may be approved by the Commission upon determination that the purposes of this Section are achieved.
6. Light fixtures for parking lot lighting may be mounted on existing utility poles in the public right-of-way. This configuration is allowed only in commercial districts. The luminaries must have extended shields, and be mounted ninety (90) degrees to the roadway. Fixtures shall be mounted at the same height as existing street lighting in the area.
7. All parking lot lighting fixtures shall be cut-off fixtures as defined by the Illuminating Engineers Society of North America (IESNA)
8. Alternatives: The design for an area may suggest the use of parking lot lighting fixtures of a particular “period” or architectural style, as either alternatives or supplements to the lighting described above.
9. Lighting shall conform to the Chittenden County Regional Planning Commission “Outdoor Lighting Manual for Vermont Municipalities” or as otherwise approved by the Village Engineer. The minimum lighting level shall be at least two tenths (0.2) foot candles, but not exceed four tenths (0.4) foot candles and the uniformity ratio (average to minimum shall be 10:1, unless otherwise approved by the Village Engineer.
10. Light fixtures shall be mounted in accordance with the table below or as otherwise approved by the Village Engineer.

	LI District	HC District	Village Center	MF District	All Other Districts
Max Mounting Height	30ft.	20ft.	15ft.	15ft.	16ft.

*Notes: For parking areas of fifty (50) or more spaces, light fixtures may be allowed to be mounted up to thirty (30) feet above grade if all fixtures are a minimum of one hundred (100) feet from a residential district.

E. Illumination of Building Facades and Landscaping:

With the exception of structures in the Light Industrial District and structures having symbolic or historic significance, facade lighting for safety and pedestrian access may be approved by the Planning Commission as long as it is not visible from off-site. Building facades having symbolic or historic significance shall be approved by the Planning Commission and the following provisions shall be met:

1. The maximum illumination on any vertical surface or angular roof surface shall not exceed two (2) foot candles.
2. When allowed lighting fixtures shall be located and shielded so the light is directed only on to the building facade. Lighting fixtures shall not be directed towards adjacent streets or properties.

F. Roadway Lighting:

1. New or replacement light fixtures on arterial and non-residential collector streets, shall be of cut-off cobra type fixtures with LED bulbs with a correlated color temperature not exceeding four thousand three hundred (4300) Kelvin, mounted no more than forty (40) feet above grade. Specific alternatives may be approved by the Commission upon determination that the purposes of this Section will be achieved.
2. On other existing Village streets, new or replacement light fixtures, shall match existing styles unless alternatives are approved by the Commission. Fixtures shall have concealed LED bulbs with a correlated color temperature not exceeding four thousand three hundred (4300) Kelvin and the height shall match that of existing street lights in the area.
3. On new residential streets, street lights shall use "shoe box" style fixtures on black or bronze anodized poles up to thirty (30) feet in height with LED bulbs with a correlated color temperature not exceeding four thousand three hundred (4300) Kelvin, unless alternatives are approved by the Commission.
4. The selection and location of roadway and street lights shall achieve the recommended illuminance per the American National Standards Institute (ANSI)/Illuminating Engineering Society of North America (IESNA) RP-8, American National Standard Practice for Roadway Lighting. The standards summarized in the table below shall be utilized unless otherwise approved by the Village Engineer.

Street Type	Average Illuminance	Average to Minimum	Maximum Mounting Height, ft
Major	0.9	3	30
Collector	0.6	4	30
Residential	0.4	6	25
Pedestrian Areas	0.4	4	to match street

New and replacement fixtures shall be fully cutoff, fully shielded fixtures to minimize glare and light trespass.

New and replacement fixtures shall be light emitting diodes (LEDs) with a maximum correlated color temperature of 4300K.

G. Recreation Facility Lighting:

1. Maximum post and fixture mounting height shall not exceed eighty (80) feet in height.
2. Light fixtures shall not exceed a total cutoff angle of ninety (90) degrees, provided the luminary is shielded to prevent light and glare spill-over to residential property.
3. Recreational lighting may only be used between the hours of 8:00 a.m. and 12:00 midnight.
4. Recreational lighting shall not be permitted within residential districts except for public or private schools, public parks or public open spaces.

H. Review of Lighting Plans: If the project requires Site Plan review, the lighting shall be included in such application for review by the Commission. If Site Plan review is not required, staff shall review the lighting plans.

I. Lighting of Gasoline Station/Convenience Store Aprons and Canopies Where Allowed:

Lighting levels on gasoline station/convenience store aprons and under canopies shall be adequate to facilitate on-site activities. Lighting of such areas shall not be used to attract attention to the business.

1. Areas on the apron away from the gasoline pump island used for parking or vehicle storage shall be illuminated in accordance with the requirements for parking areas.
2. The pump islands and under the canopies shall be illuminated so that the minimum horizontal illuminance at grade level is at least one (1) foot candle and no more than five and a half (5.5) foot candles. The uniformity ratio (ratio of average to minimum illuminance) shall be no greater than four to one (4:1), which yields an average illumination level of no more than twenty two (22) foot candles.
3. Light fixtures mounted on canopies shall be recessed so that the lens cover is recessed or flush with the bottom surface of the canopy and shielded by the fixture or the edge of the canopy so that light is restrained to no more than eighty-five (85) degrees from vertical.
4. As an alternative (or supplement) to recessed lights, indirect lighting may be used where light is beamed upward reflecting off the underside of the canopy. Fixtures must be shielded so that direct illumination is focused exclusively on the underside of the canopy.
5. Lights shall not be mounted on the top or sides of the canopy, and the sides of the canopy shall not be illuminated.

J. Lighting of Exterior Display/Sales Areas:

Lighting levels on exterior display and sales areas shall not be used to attract attention to the businesses. The applicant shall designate areas to be considered display and sales areas and areas used as parking or passive vehicle storage areas. The designation must be approved by the Planning Commission.

1. Areas designated as parking or passive display and sales areas shall be illuminated in accordance with the requirements for parking areas in this Section,
2. Areas designated as exterior display and sales shall be illuminated so that the average horizontal illuminance at grade level is no more than five (5) foot candles. The uniformity ratio (ratio of average to minimum illuminance) shall be no greater than four

to one (4:1). The average and minimum shall be computed for only that area designated as exterior display sales areas.

3. Light fixtures shall meet the IESNA definition of cut-off fixtures, and shall be located, mounted, aimed and shielded so that direct light is not cast onto adjacent streets or properties.

4. Fixtures shall be mounted no more than twenty-five (25) feet above grade, and mounting poles shall be located either inside the illuminated area or no more than ten (10) feet away from the outside edge of the illuminated area.

SECTION 705: CURB CUT AND ACCESS TO PUBLIC STREETS

A. Purpose. To promote the smooth and efficient flow of vehicular, pedestrian, and bicycle traffic and to minimize safety hazards.

B. Residential Uses. All curb cuts for single family and two-family dwellings shall be reviewed and approved by Staff through issuance of a zoning permit.

1. Each single family dwelling or two-family lot shall be allowed one curb cut not to exceed twenty (20) feet in width at the street per dwelling. A single family residential lot which exceeds two hundred (200) feet of road frontage may be allowed a second curb cut, provided the curb cuts are at least fifty (50) feet apart. A driveway for single or two-family dwellings may not be greater than twenty (20) in width until beyond the front yard setback for the underlying zoning district.

2. For the purpose of determining curb cuts, all multi-family dwellings shall be reviewed as commercial curb cuts.

C. Commercial and Industrial. All commercial and industrial development shall be designed to meet the following minimum standards.

1. One traffic lane – Twelve (12) to fifteen (15) foot curb-cut
2. Two traffic lanes – Twenty four (24) to thirty (30) foot curb-cut
3. Three traffic lanes – Thirty (30) to forty five (45) foot curb-cut

The Commission shall review proposed curb cuts and the closure or relocation of existing curb-cuts based upon anticipated traffic, turning movements and need to accommodate buses and trucks. The applicant must provide information supporting a request for more than one twelve (12) foot wide entry and one twelve (12) foot wide exit.

D. General Standards

1. No more than one curb cut is allowed for each seventy-five (75) linear feet of frontage. Lots containing one (1) or two (2) family dwellings shall have only one (1) curb cut unless a second is specifically approved by the Commission upon determination that special conditions justify the exception

2. Property under common ownership with separate leased structures shall be allowed the number of curb cuts which would be allowed for a single use.

3. Lots with frontage on both a principal and a secondary roadway shall obtain access from the secondary roadway unless specifically waived by the Commission. Under special circumstances the Commission may allow corner lots to have curb cuts on both adjoining streets.

4. Curb cuts shall not be less than twenty-five (25) feet from the property line in any

Commercial or Industrial District unless joint access is proposed with the adjoining property, or an alternate is approved by the Commission. Curb cuts for any residential property shall meet the setbacks of the District, unless joint access is specifically approved by the Commission.

5. Curb cuts shall be designed to intersect a street at an angle of ninety (90) degrees.
6. Curb cuts shall intersect the pavement at a radius of not less than fifteen (15) feet nor more than forty (40) feet and shall become tangent to the edge of the pavement with the exception of curb cuts for single family dwellings.
7. The Commission may grant exceptions to the curb cut standards due to unique circumstances or superior design. A traffic study may be required to determine the size and number of curb cuts.
8. For the purposes of this Section, a driveway is deemed a curb cut, if curb and gutter is not currently in place or proposed for construction.

E. Alterations Within Public Right-of-way.

The Trustees shall have authority to approve a change within the public right-of-way which is not specifically delegated to the Staff by Section 705.B and to the Commission in Section 705.C.

1. Routine maintenance by the Public Works Department and construction projects approved by the Trustees shall be exempt from further approvals.
2. Closure or relocation of an existing curb cut (with the exception of the closure or relocation of an existing curb-cut as stipulated by the Planning Commission through Site Plan Review) shall require a Public Meeting by the Trustees. Closure or relocation review may be by written request or may be initiated by the Trustees. The Trustees shall notify by mail all property owners abutting the proposed site and all property owners with a legal interest in the curb cut. Notice shall also be published not less than seven (7) days prior to the meeting in a newspaper of general circulation. The Trustees shall consider the following standards:
 - (a) The use of the curb cut has changed due to an increase or decrease in traffic, and increase or decrease in truck traffic, or a change in use.
 - (b) Traffic and pedestrian safety hazards have increased due to increased traffic on the adjoining street, or increased usage of the curb cut.
 - (c) Alteration of the curb cut is necessary due to public improvements of public infrastructure.
 - (d) Alternate access is immediately available to provide reasonable access to the parcel.
 - (e) The curb cut was installed or used without approvals as specified in this Code.
 - (f) The curb cut adversely affects the flow of stormwater within the public right-of-way.
3. Any change, alteration, obstruction, filling, construction or placement of any material within the right-of-way shall require separate review and approval as specified in this Code. No such activity shall occur without prior approval as specified herein.
4. Any change, alteration, obstruction, filling, construction, or placement of any material adjacent to a public right-of-way which drains, diverts, or alters the flow of water within the right-of-way shall be prohibited, unless specifically approved or permitted as authorized herein.
5. Appeal of any decision or permit granted under the provisions of this Section shall be to the Trustees.

SECTION 706: ACCESSORY USES AND STRUCTURES

A. Purpose. To establish criteria for Accessory Uses and Accessory Structures and to establish certain limitations and standards for these uses and structures. Except as specifically provided elsewhere in this Code, no accessory use or structure may be approved, constructed or used before the principal structure is approved, constructed or used.

B. General Requirements

1. All accessory uses or structures shall be designed primarily to serve the principal use or structure.
2. No accessory structure shall be constructed, placed, or moved within any required setback except as provided herein.
3. No accessory structure may be located within any right-of-way, Visibility Triangle, utility easement or drainage easement.
4. No accessory structure shall be occupied unless the principal structure is occupied or used for a use as permitted within the District.
5. All accessory uses or structures shall comply with the use, density, and lot coverage requirements of the District within which it is located.
6. All accessory uses or structures shall obtain permits as specified in this Code unless specifically exempted.
7. All detached and semi-attached accessory structures shall not exceed fifty (50) percent of the above grade floor area of the principle structure. Driveways, walks, decks, patios and similar structures are excluded from this provision.

C. Set-back Exceptions

1. Driveways. Driveways may be located within any District pursuant to the regulations established herein. Personal vehicles may be parked in the paved area of any residential driveway so long as they are not parked closer than six (6) feet to any sidewalk or bicycle/pedestrian path. Driveways shall meet the rear setback requirements and must be at least two (2) feet from the side property line. No driveway shall be closer than two (2) feet from any side and rear property line.
2. Utilities. Public utilities and infrastructure may be located within any setback, provided that above ground structures are not located within any required Visibility Triangle. Above-ground utility structures shall be screened with vegetation when said screening does not interfere with the functional characteristics of the structure. To the extent possible above ground structures shall be designed and painted to match the characteristics of adjacent development. New and redevelopment projects shall install utilities underground.
3. Roof Overhangs. Roof overhangs or eaves on any structure may encroach into any setback for a distance not to exceed eighteen (18) inches.
4. Heating, ventilation and air conditioning equipment. Equipment for heating, ventilation or air conditioning which encroaches into a setback by not more than twelve (12) inches shall not be deemed to violate this Code. Equipment placed upon the roof of any commercial or residential structure shall not be deemed a violation of this Code if:
 - (a) It extends less than two (2) feet above the roof;
 - (b) It occupies no more than eight (8) square feet of area; and
 - (c) It generates no additional sound discernable at the adjoining property line.

5. Porches and decks. Porches and decks shall be deemed structures and shall meet the setback requirements.
6. Flagpoles, mailboxes, water fountains, bicycle racks, swing sets, bird houses, telephone booths, benches, and bus shelters may be allowed within a required setback if they meet the standards below:
 - (a) None of these uses may encroach upon the Visibility Triangle as established in Section 710 of this Code.
 - (b) Bus shelters shall be reviewed by the Planning Commission and meet Site Plan standards.
 - (c) Mail boxes are limited to the residents or occupants of the principal structure.
 - (d) Flagpoles within any residential district shall not exceed fifteen (15) feet in height and shall be limited to one pole per residential lot. In no instance may a flag encroach on the right-of-way or adjoining property.
 - (e) Flagpoles in commercial or industrial districts shall require Site Plan Approval and shall not exceed forty-five (45) feet in height. In no case shall a flag encroach on public right-of-way or adjoining property.
 - (f) Water fountains, lawn ornamentations, and benches shall not substantially alter the character of any residential neighborhood. Water fountains located on any commercial or industrial property shall not encroach on setbacks and shall require Site Plan approval.
7. Accessible ramps constructed to accommodate disabilities are exempt from setback provisions provided that no reasonable alternative is available and the encroachment is the minimum necessary to provide access. Covered or enclosed ramps shall meet all setback requirements.
8. A non-complying structure may be enlarged or expanded provided that the following conditions are met:
 - (a) The enlargement or expansion, itself, conforms to all provisions of this Code except setbacks.
 - (b) The structure, as enlarged, does not diminish any required yard or setback areas except a setback line encroachment equal to the existing building line.
 - (c) The expansion does not exceed any maximum density, lot coverage, intensity or height limitations.

D. Satellite Dish Antenna. No satellite dish or other antenna may be erected or placed within any District except in compliance with this Section and with Conditional Use approval.

1. All antenna located within any commercial, industrial, or multi-family District shall be located in a rear yard, or be screened from view from adjacent streets and properties. If the applicant clearly demonstrates that said conditions interfere with the receipt of signals, the Board may reduce the conditions as necessary to obtain a signal. The Board may permit the installation of satellite dishes on a roof, if provisions are made to minimize visual impact.
2. Within any residential District, the structure shall be located within the rear yard. If the applicant clearly demonstrates that a signal can not be received at this location, the dish may be located in the side yard. In no instance shall required setbacks be encroached upon.
3. Within any residential District, landscaping and berming shall be placed at the base of the structure to screen the dish to the extent possible from the neighboring

property.

4. All antenna dishes shall be permanently ground-mounted unless specifically approved otherwise by the Zoning Board of Adjustment.

5. If the Board determines that the above standards cannot be met, the Board may alter the requirements of this Section but only to the extent necessary to obtain satellite signals. The Board may place reasonable conditions on its approval to minimize visual or other impacts at adjoining property lines.

6. Satellite dishes less than one (1) meter in diameter are exempt from the provisions of this section and do not require a zoning permit. However, satellite dishes shall be screened from view from the street unless necessary to receive a signal.

E. Residential Garages. No garage shall be located within any residential District except as follows:

1. Residential garages for any single-family or two (2) family dwellings in combination with all other detached or semi-attached accessory structures (excluding driveways, decks walks, patios and similar structures) shall not exceed fifty (50) percent of the total above grade floor area of the principal structure unless Conditional Use approval is granted.

2. Any detached garage which contains a second story or exceeds the fifty (50) percent requirement shall require Conditional Use approval by the Board.

3. No space in any garage may be rented or used for commercial or business, except that one or more parking stalls may be rented or used for the parking of motor vehicles, provided that all other provisions of this Code are met.

F. Storage sheds. Other Structures. Within any residentially zoned District, storage sheds must be located a minimum of eight (8) feet from the property line within any side or rear yard. The total square footage of all storage sheds and detached garages shall not exceed fifty (50) percent of the floor area of the principal structure. Storage sheds within any Commercial or Industrial District shall meet Site Plan standards. Within any residential district the construction of a tree house, play house or an animal shelter (dog house) shall be exempt from permitting requirements if it meets set-backs and does not exceed fifty (50) sq. ft. in floor area.

G. Outdoor Business Activities:

1. No sale or display of any product shall be allowed within any public right-of-way or upon any public sidewalk without first obtaining a Temporary Use Permit, except a business in the Village Center District that abuts the sidewalk may display merchandise or make seating available for dining, from April 1st through October 31st, provided the merchandise or seating does not block entrances, sidewalks (a minimum of five feet of clear passage must be maintained), or obstruct Visibility Triangles.

2. In any commercial district, an outdoor display or sale which is located entirely upon a private sidewalk shall not require a Temporary Use Permit.

3. The use of stands or tents in parking areas may be approved as part of a Temporary Use Permit if the applicant clearly demonstrates that sufficient parking will be available for the use and the outdoor activity.

4. The display of newspapers in a newspaper stand shall not be deemed an outdoor business activity.

H. Recycling Centers. The location of a recycling center shall require approval of a Conditional Use permit and Site Plan. Any proposal shall include screening, landscaping, and circulation plans. Recycling Centers shall serve as drop off areas for general household recycling purposes. The use of trucks, or commercial haulers, to drop recyclables at recycling centers shall be prohibited. The Board may place conditions necessary to meet the purposes of this Section, including restrictions on the size of the facility and operating hours. Recycling centers shall only be approved in Commercial, Industrial or Planned Exposition Districts.

I. Solid Waste Collection Point. Any proposal for a solid waste collection point or transfer station shall require approval of a Conditional Use permit and a Site Plan. The proposal shall include screening, landscaping, and circulation plans. At a minimum, these centers shall be landscaped and screened from view from public streets and adjoining properties. Solid Waste Collection Points shall not be directly connected to storm drainage systems, or directly run off into storm drainage systems. Conditions may be placed upon any application including, but not limited to, restrictions on the hours of operation, access, limitations on the numbers and types of trucks and commercial vehicles, and increased setbacks from business and residential areas. The Board may require that storing and sorting occur in entirely enclosed structures. Garbage pickup centers shall be approved only in Commercial, Industrial, or Planned Exposition Districts.

J. Dumpsters or Other Trash Containers:

No dumpster or trash container shall be located or used in any District except in conformance with these standards or approval of a Site Plan.

1. All dumpsters or trash containers located within any District shall be screened from view from the public right-of-way by a nontransparent fence and/or landscaping materials to a height of six (6) feet.
2. Dumpsters shall be covered and drainage plugs shall be installed. Covers may only be opened for depositing refuse or for emptying of dumpster. Open top temporary use dumpsters are exempted.
3. All dumpsters or trash containers shall be made of non-combustible materials, with solid sides and a cover suitable in design and construction for the deposit of trash.
4. All trash containers or dumpsters shall comply with the following requirements for separation from structures:
 - (a) No less than five (5) feet from a non-combustible structure with a flat roof.
 - (b) No less than five (5) feet from a non-combustible structure with a wall height of twenty (20) feet or more.
 - (c) No less than fifteen (15) feet from any structure built of combustible material.
5. The provisions of this Section shall not apply to any single-family or two family dwellings unless one or more trash container(s) is provided for the use of two or more dwellings.

K. Tennis, Basketball or Volleyball Court. These facilities, or similar private recreation facilities, such as outdoor skating rink facilities, may be located in rear or side yard setbacks within five (5) feet of any property line; provided, however, they may not be located in any drainage or utility easement. A single basketball hoop may be located within a front yard, provided that it is located on or adjacent to a driveway and that it is located no closer than ten (10) feet to any public sidewalk, bicycle, pedestrian lane, or right-of-way.

L. Swimming Pools. No swimming pool shall be used or located within any District without conformance to the following standards:

1. Lighting shall be located to prevent direct glare at the lot line.
2. All in-ground pools shall be completely enclosed by a wall, fence or other structure not less than four (4) feet in height. Entrance to a swimming pool shall be from a self-latching and self-closing gate except that the door of any residence forming any part of the enclosure need not be so equipped. The use of hedges or natural barrier may be allowed if it is of sufficient density to bar entry to the pool.
3. No overhead electrical wires shall cross the pool area, or be installed within fifteen (15) feet of the pool surface.
4. Above-ground pools need not meet the fencing requirement of Section L.2 above, if evidence is submitted that entrance to the pool is possible only through the use of steps or stairs, which are portable, and removed when the pool is not in use, or unless accessible from the house.

M. Garage Sales, Yard Sales. Within any Residential Zoning District, garage sales or yard sales of common household goods and appliances may be approved upon submittal of a Temporary Use Permit application pursuant to Section 502(d). Temporary sales for the above purposes shall be permitted for a period of three (3) days. No more than four (4) permits for any one location may be issued in any calendar year.

SECTION 707: FENCES

A. Purpose. To provide standards for the construction or placement of fences.

B. Standards. Any fences placed or located on any property shall meet the following standards:

1. A fence which does not exceed six (6) feet in height may be located at the property line in any side or rear yard and shall not require a zoning permit. Any fence which exceeds six (6) feet in height shall be deemed a structure.
2. No fence may be erected or constructed in such a manner to interfere with any required Visibility Triangle.
3. Any fence located adjacent to a publicly owned or maintained sidewalk, bikepath or pedestrian way shall not be located closer than two (2) feet to such public facility.
4. Any nontransparent fence located in a front yard shall not exceed twenty-nine (29) inches in height unless it meets the front yard setback for the Zoning District in which it is located.
5. A chain link fence, not to exceed six (6) feet in height, may be located along the side or front property lines within Commercial or Industrial Districts after Site Plan approval. The fence shall be located and maintained in such a manner that it does not interfere with pedestrian or vehicular vision. The Commission may require landscaping.
6. The use of barbed wire fencing is prohibited except as specified under exceptions below.

C. Exceptions.

1. Property located in a Planned Agriculture District may use barbed wire for fencing purposes, provided that said fencing is utilized strictly for agricultural purposes.

Properties in the Light Industrial District may also use barbed wire fencing. However conditions may be imposed upon approval to provide minimal impacts on neighboring properties.

2. The Commission may authorize the use of fences which exceed the six (6) foot requirement for non-commercial, Industrial, or Planned Exposition Districts. The Commission may authorize exceptions only for security or safety purposes and may require landscaping to mitigate visual impacts.

3. In accordance with the standards for Planned Development approval, the Commission may approve alternative standards which are designed specifically as a part of an overall development plan including perimeter walls around the development or other effective visual treatments.

SECTION 708: SCREENING/BUFFERING

A. Purpose. To provide sufficient screening and buffering to mitigate the potential negative impact of adjoining incompatible land uses.

B. Standards.

1. Any Industrial District located adjacent to a residential District shall provide a buffer not less than fifty (50) feet. The buffer shall be landscaped and fenced in such a manner as to minimize impact on the adjoining Residential District.

2. Any Commercial use located adjacent to a residential use shall provide a buffer zone of not less than twenty (20) feet. The buffer zone shall be landscaped in such a manner as to minimize impact on the adjoining residential District. A fence and/or hedge not less than six (6) feet in height may be required. Any fence and /or hedge erected for this purpose shall be of sufficient size and density to block vision at eye level within two (2) years of planting. The use of berms is encouraged and may be required by the Commission as a Site Plan condition.

3. Any multi-family use located adjacent to a single-family use shall provide a buffer zone of not less than fifteen (15) feet. The buffer zone shall be landscaped in such a manner as to minimize impact on the adjoining single-family Districts. The Commission may require the placement of an opaque fence and/or hedge to screen the multi-family structure from adjoining single family dwellings.

4. Parking lots located adjacent to public streets shall be screened to minimize glare and vehicle light encroachment on the street. Screening may include berms and landscaping.

5. Waivers. The Planning Commission may waive the screening and buffering requirement in the Village Center District if it determines that the encroachment will not have an undue adverse impact on adjacent properties.

SECTION 709: PRIVATE STREETS

A. Standards. The Commission may approve a Private Street only as a part of a Planned Development application. The following conditions shall apply to any private street:

1. The applicant shall submit documentation common to all properties to ensure the continued maintenance of the Private Street.

2. The applicant shall submit documentation to ensure snow removal on the Private

Street.

3. Private streets shall meet the requirements of Chapter 9 and Appendix A. Private Streets shall be built with the same cross section as a Public Street as outlined in Detail 2 of Appendix A.

4. No new private street shall be accepted by the Village for maintenance or snow removal without conforming to all street standards specified in Chapter 9.

5. The Village shall not be responsible for snow removal or maintenance on any sidewalk located on a private street.

6. The following streets must be provided as public streets and dedicated to the Village, unless waived by the Planning Commission upon determination the waiver would be consistent with the provisions of Section 917 of the Land Development Code:

(a) The principal entry to a planned unit development.

(b) Roads servicing or planned to service adjacent properties.

(c) Internal roads which will carry daily traffic in excess of seven hundred and fifty (750) vehicles based on current trip generation rates published by the Institute of Transportation Engineers.

(d) Other streets as determined by the Planning Commission.

B. Existing Private Streets. The Village shall not accept any existing Private Street or sidewalk for snow removal or maintenance until the facilities meet the standards specified in Chapter 9.

SECTION 710: VISIBILITY TRIANGLES

A. Purpose. To provide clear and unobstructed vision for pedestrian and vehicular traffic at all intersections and driveways.

B. Intersections. On any corner lot, no fence, wall, screen, sign, structure or foliage shall be erected, placed, constructed, planted, or allowed to grow in such a manner as to encroach upon the Visibility Triangle.

1. The Visibility Triangle shall be determined as follows: starting at the intersection of the property lines along the intersecting streets, measure away from the point of intersection a distance of twenty (20) feet along both property lines. Connect these points with an imaginary line. The visibility triangle shall be the triangle defined by the two property lines and the imaginary line.

2. Within this Visibility Triangle, nothing shall encroach upon lines of vision between the heights of thirty (30) inches and eight (8) feet.

C. Driveways. At a point where any driveway intersects with a public street, no fence, wall, screen, sign, structure or foliage shall be erected, placed, constructed, planted, or allowed to grow in such a manner as to encroach upon the Visibility Triangles on either side of the driveway.

1. The Visibility Triangles shall be determined as follows: starting at the intersections of the front property line and the edges of the driveway, measure away from the points of intersection a distance of ten (10) feet along both property line and the edges of the driveway. Connect these points with imaginary lines. The Visibility Triangles shall be the triangles defined by the property line, the edges of the driveway and the imaginary lines.

2. Within these Visibility Triangles, nothing shall encroach upon lines of vision between the heights of thirty (30) inches and eight (8) feet.
- D. Exceptions. The following items are exempt from the Visibility Triangle requirement.
1. All plantings or structures not within Visibility Triangles described in B. and C. above, measured at the high point of the street along the right-of-way line.
 2. The Visibility Triangle shall not apply to the trunk of an existing tree provided that it is trimmed to meet the vision requirement in B. and C. above.
 3. Fire hydrants, public utility poles, street markers, traffic control devices, mailboxes, or other items which by their nature must be located within the Visibility Triangle.
 4. Public bus benches.
 5. Telephone booths, parking areas, bus shelters, signs, bicycle racks, and similar structures are prohibited.

SECTION 711: HOME OCCUPATIONS. Nothing in this Code shall infringe upon the right of any resident to use a minor portion of a dwelling for an occupation which is customary in residential areas and which does not change the character thereof.

- A. Purpose:
1. To protect residential areas from potential adverse impact of excessive traffic, nuisance, sound and other effects of occupational activities within residential neighborhoods.
 2. To establish criteria and development standards for Home Occupations conducted in dwelling units.
 3. To provide residents the option to use their residences for certain Home Occupations without altering the residential character of the neighborhood.
 4. To assure that public and private services including streets, drainage, water and sewer systems, and other public facilities and services are maintained as designed for residential purposes.
- B. Review Criteria. All Home Occupations shall meet the following review criteria and standards:
1. The Home Occupation shall be conducted entirely within the dwelling unit by residents of the dwelling.
 2. No employees other than residents of the dwelling are permissible.
 3. The area utilized for the Home Occupation shall not exceed twenty (20) percent of the floor area of the residence, including garages.
 4. Merchandise offered for sale shall be clearly incidental to the Home Occupation, provided, however, that orders may be taken for later delivery off premises.
 5. Delivery of products for a home business shall occur no more frequently than once daily. Vehicles not ordinarily utilized for residential delivery shall be prohibited.
 6. No toxic, explosive, flammable, combustible, corrosive, etiologic, radioactive or other hazardous materials shall be used or stored on the premises.
 7. No mechanical equipment other than that ordinarily utilized for household or hobby purposes shall be permitted.
 8. No activity shall be conducted on the premises which would interfere with radio

or television transmission, nor shall there be any offensive sound, smoke, dust or heat noticeable at the property line.

9. The operation of the Home Occupation shall not cause or encourage vehicular or pedestrian traffic not ordinarily associated with the residential area in which the Home Occupation is located except under the following conditions:

(a) Public access to the Home Occupation shall be by invitation only and no more than one (1) vehicle not owned by the occupant may be parked on or adjacent to the property for business purposes. Appointments may overlap for a time period not exceeding thirty (30) minutes.

(b) Occasional parties or meetings associated with the business shall occur no more frequently than four (4) times monthly. Special arrangements must be made to provide sufficient parking so vehicles in no way impede the safety and flow of traffic within the neighborhood.

10. Advertising associated with the home business shall be by phone number only. On-premise advertising shall be limited to one (1) non-illuminated sign not exceeding one (1) square foot. The legend shall show only the name of the occupant and occupation and be neutral in color.

11. Public access to Home Occupations shall be restricted to the hours of 8:00 am to 9:00 pm.

SECTION 712: OPEN SPACE REGULATIONS.

Except as specified in this Code, no building, structure or vehicles shall encroach upon any required setback or designated Open Space area. All required setbacks shall be maintained in vegetative cover and shall not be covered with any impermeable surface materials except in Commercial Districts where the Commission may approve specific alternatives.

SECTION 713: STORM WATER MANAGEMENT.

A. Purpose.

1. To promote stormwater management practices that maintain pre-development hydrology through site design, site development, building design and landscape design techniques that infiltrate, filter, store, evaporate and detain stormwater close to its source;

2. To promote natural resources, particularly streams, lakes, wetlands, floodplains and other natural aquatic systems on the development site and elsewhere from degradation that could be caused by construction activities and post-construction conditions;

3. To protect other properties from damage that could be caused by stormwater and sediment during construction activities and post-construction on the development site;

4. To reduce the impacts from impervious surfaces such as streets, parking lots, rooftops and other paved surfaces;

5. To protect public safety from flooding, reduce public expenditures in removing sediment from stormwater drainage systems and natural resource areas, and to prevent damage to Village infrastructure caused by inadequate stormwater controls.

B. **Intent.** The intent of this Section is to allow no increase in stormwater runoff as a result of any land development activity. The Stormwater Management Section of this Code has been

adopted in recognition of the following: that clearing and grading during construction activities increases soil erosion, which in turn negatively affects aquatic and terrestrial habitats; that the creation of impervious surfaces associated with land development increase stormwater runoff rates and volumes, flooding, stream channel erosion, and the transport and deposition of sediment and pollutants and decrease groundwater recharge and stream base flow; that the elimination of illicit discharges and the proper design, construction, operation and maintenance of stormwater systems are crucial for protecting the environment, public health and safety; and, that economic loss and stream water quality degradation can result from these adverse impacts.

C. Illicit Discharge Detection and Elimination.

1. Prohibition of illicit discharges
Non-stormwater discharges into publicly owned storm sewer systems and private stormwater systems within the Village of Essex Junction are prohibited.
2. Prohibition of illicit connections
 - (a) The construction, use, maintenance or continued existence of illicit connections to the storm drain system is prohibited.
 - (b) A person is in violation of this sub-section if the person connects a line conveying sewage, laundry waste or other forms of gray water to the Village MS4 or allows such a connection to continue.
3. Exempt discharges
The following discharges are exempt from the discharge prohibitions established in this section:
 - *Water line flushing with De-chlorinated Water
 - *Landscape irrigation
 - *Diverted stream flows
 - * Uncontaminated ground water, either naturally rising or pumped
 - * Uncontaminated ground water infiltration into stormwater drains
 - * Discharges from potable water sources
 - * Uncontaminated foundation drains
 - * Air conditioning condensate
 - * Irrigation water
 - * Springs
 - * Uncontaminated water from crawl space pumps
 - * Uncontaminated water from footing drains
 - * Lawn watering
 - * Individual residential car washing
 - * Flows from riparian habitats and wetlands
 - * De-chlorinated swimming pool discharges
 - * Street wash water
 - * Discharges or flows from fire fighting activities occurring during emergency situations not involving hazardous materials or oil.
 - * Dye testing is an allowable discharge if approved by the Village Engineer.

Notification of Spills: Property owners or citizens responsible for facility operation and management who know or suspect release of materials which may result in an illegal discharge to the stormwater system must immediately notify proper emergency response agencies. For release of non-hazardous materials, notification shall be to the Village of

Essex Junction.

4. Watercourse Protection.

All stormwater generated from land use /land development activity shall be treated prior to discharge to a wetland or local water body, municipal drainage system or abutting property. Treatment methods prescribed shall be in accordance with the Stormwater best management practices as noted in this Land Development Code.

(a) No person shall deposit or cause to be deposited in a watercourse or on the land impacted by runoff to the watercourse any trash, yard debris or any other material that would pollute or significantly alter the natural flow of water through, or can erode into the watercourse.

(b) The owner or lessee shall maintain existing privately owned structures within or adjacent to a watercourse so that such structures will not become a hazard to the use, function, or physical integrity of the watercourse.

(c) On-site drainage improvements and best management practices, as required by this Code, such as rain gardens, buffer strips, filter strips, grass swales, rain barrels, porous pavement appropriate for cold weather conditions and cisterns shall be maintained by the developer and all other subsequent property owners or associations within the development.

(d) No person shall deposit or cause to be deposited in a public right-of-way used for conveyance of stormwater to a watercourse any trash, yard debris or any other material that would pollute or significantly alter the watercourse. This prohibition addresses yard waste or other organic/inorganic material left within the roadway or sidewalk of the Village of Essex Junction.

5. Suspension of MS4 Access.

The Village may, without notice, suspend MS4 discharge access to a person when such suspension is necessary to stop an actual or threatened discharge that presents or may present danger to the environment, health or welfare, or to the MS4. The Village of Essex Junction maintains a right to access properties for the purpose of evaluating private property compliance with the State mandated provisions of this regulation.

D. Construction Site Stormwater Runoff Control.

1. Applicability. This subsection shall apply to any clearing, grading, construction or land development activity disturbing any property located within the jurisdictional area of the Code. Agricultural operations shall be regulated by the Agricultural Department best management practices.

2. State Permits.

(a) The Village shall accept a State of Vermont General Permit for construction site runoff as evidence of meeting Village erosion and sediment control permit requirements for those projects that fall under the jurisdiction of the State requirements. General requirements may be waived by the Public Works Superintendent or Water Quality Superintendent or their designee if the applicant conforms to the State of Vermont Best Site Management practices as outlined in: "The Low Risk Site Handbook for Erosion Prevention and Sediment Control" (as amended) or in the "Vermont Erosion Prevention and Sediment Control Field Guide" (as amended) the state guidelines are available at:

<http://www.anr.state.vt.us/dec/waterq/stormwater/htm/swcgp.htm>

(b) For all development reviewed and approved under the zoning permit

approval process or site plan process, the Village hereby incorporates by reference the permit application requirements covered under the Vermont General Permit 3-9020 for stormwater runoff from large construction sites to waters within the jurisdictional area of this Code, which are not principally impaired by collected stormwater runoff.

(c) For all development reviewed, the Village hereby incorporates by reference the permit application requirements covered under the Vermont Individual Construction Permit for stormwater runoff from large construction sites to waters within the jurisdictional area of this Code, which are impaired by stormwater runoff. The Village also incorporates by reference any applicable requirements in a TMDL issued for impaired receiving waters located within the jurisdictional area of this Code.

3. Erosion and Sediment Control Performance Standards. All construction sites are expected to maintain erosion control to prevent migration of stormwater or stormwater flow containing sediment to adjacent private property or to the Village right-of-way. Authorized Village employees may enter at reasonable times upon any property to conduct on-site inspections. Such inspections shall take place before, during and after any soil is disturbed. If upon inspection, the site is not in compliance with erosion standards and a TMDL has been issued for the stormwater impaired receiving water located within the jurisdictional area of this Code, the zoning permit will be deemed invalid until appropriate erosion and sediment control practices are implemented.

4. Stormwater Management Performance Standards: Stormwater conveyance systems designed for the infiltration of stormwater, in part or in whole are preferred, providing that underlying soil conditions allow for infiltration without negative impact on adjacent roads, structures, etc.

(a) Site designs shall minimize stormwater runoff and utilize pervious areas for stormwater treatment. Site designs shall accommodate the peak flow rates of stormwater discharge associated with specified design storms, as noted in the most recent version of the *Vermont Stormwater Management Manual Volumes I and II (as most recently amended)*.

(b) Stormwater runoff generated from new development and redevelopment shall be adequately detained and treated prior to discharging into a jurisdictional wetland or local water body.

(c) Post development annual groundwater recharge rates shall be maintained at the same rate as the annual recharge from pre-development site conditions by promoting infiltration through the use of structural or non-structural methods.

(d) For new development, structural stormwater treatment practices (STPs) shall be designed to remove 80% of the average annual post development total suspended solids load (TSS) and 40% for total phosphorous, unless a TMDL has been established requiring a more stringent criteria in the receiving water. It is presumed that a STP complies with this performance standard if it is: sized to capture the prescribed water quality volume; designed according to the specific performance criteria outlined in the most recent version of the *Vermont Stormwater Management Manual Volumes I and II (as amended)*; constructed properly, and maintained regularly.

(e) The post-development peak discharge rate shall not exceed the pre-development peak discharge rate for the 10-year frequency storm event.

- (f) To protect stream channels from degradation, specific channel protection criteria shall be provided as prescribed in the most recent version of the *Vermont Stormwater Management Manual Volumes I and II (as amended)*.
- (g) Stormwater discharges from intensive land uses or activities with higher potential pollutant loadings, known as hotspots, may require the use of specific structural STPs and pollution prevention practices.

E. Commercial and Industrial Stormwater Discharges. Any person subject to an industrial multi-sector general permit or other stormwater permit issued by the State or EPA shall comply with all provisions of such permit. The Village may require proof of compliance with said permit prior to allowing the discharge to connect to the MS4. Those facilities regulated under the Multisector General Permit shall notify the Village of their status under this permit. Notification to the Village shall be required for any change in status under the rules of this State permit process.

F. Operation and Maintenance of Stormwater Systems.

1. All stormwater systems shall have a written, and approved, enforceable operation and maintenance agreement, duly recorded in the Essex Town land records, to ensure the system functions as designed. The maintenance agreement shall include a schedule for when and how often maintenance will occur and plans for periodic inspections to ensure proper performance of the facility between scheduled cleanouts.
2. Post-construction responsibility: All proposals for development requiring a stormwater system shall include a post-construction responsibility agreement that designates the person(s) or organization(s) responsible for post-construction maintenance. Maintenance responsibility runs with ownership of the land.
3. Stormwater Systems Designed for Turn Over to the Village: Stormwater systems designed for turn over to the Village shall be maintained in accordance with permit requirements by the permittee. All provisions for compliance shall be the responsibility of the permittee until transfer of permit processes is completed.
 - (a) All proposals for stormwater systems to be turned over to the Village for operation and maintenance shall meet or exceed Village and State design standards outlined in the most recent version of the *Vermont Stormwater Management Manual Volumes I and II*.
 - (b) Prior to acceptance by the Village, the developer shall ensure that the stormwater system is clean and in good working condition.
 - (c) Only stormwater facilities with valid permits will be considered for acceptance by the Village of Essex Junction. Stormwater system infrastructure will only be accepted by the Village along with other infrastructure accepted for community ownership. No stormwater system will be accepted unless it is deemed in the interest of the Village of Essex Junction.
4. Right-of-Entry. All proposals for development requiring a stormwater system shall include a right-of-entry agreement that provides access for authorized Village employees to enter such properties at reasonable times and in a reasonable manner for the purposes of inspection.
5. Waivers. The Village of Essex Junction may waive strict compliance of specific provisions of this stormwater ordinance where:
 - (a) The waiver is allowed by federal, state or local statute/regulation

- (b) The waiver is in the interest of the public
- (c) The waiver is not inconsistent with the purpose of the land development code

Any waiver must be requested in writing and shall contain an explanation or documentation that supports the waiver requested. The justification presented must demonstrate that strict application of this ordinance does not further the purpose or objective set forth within the ordinance. Any request for extension shall be acted on in seven (7) days with findings provided in writing to the applicant.

G. Maintenance of Permitted Stormwater Systems. Should a property owner fail to maintain stormwater infrastructure in accordance with the terms and conditions of this ordinance, state or other stormwater permit requirements, the Village of Essex Junction shall provide written notice of violation. The Village of Essex Junction may pursue any steps deemed necessary to prevent or minimize damage to the Village storm drainage infrastructure or to the waters of the state.

After written notice of system deficiencies, the property owner/owners representative shall be responsible to carry out necessary maintenance work to correct the noted deficiencies. Correction shall be required within thirty (30) days. Other reasonable time frames may be assessed if mutually agreeable to the Village and the property owner.

When the violation creates a situation of immediate danger to public health or public safety, the Village of Essex Junction may perform any necessary immediate work to stabilize the situation. The Village maintains the right to assess the property owner for any direct repair costs which shall be a lien on the property.

The Water Quality Control Superintendent in conjunction with the Development Department shall administer, implement and enforce this stormwater management code.

SECTION 714: SIGN STANDARDS.

The provisions of this Section shall apply to all signs except those exempted herein. Signs in the Planned Exposition (PE) District shall require Conceptual and/or Site Plan approval.

A. Temporary Signs: Temporary signs shall conform to the requirements set forth below as well as all other applicable requirements of this chapter including minimum yard set-backs and height limitations. Temporary signs shall not be included in computation of sign area and the number of free-standing signs.

1. Temporary signs which are allowed without a sign permit:
 - (a) Signs advertising real estate on which the sign is located (including buildings) is for sale, lease, or rent and identification of the owner or agent. Such signs shall be placed on the ground and shall not exceed four (4) square feet in area and shall be removed immediately after sale, lease, or rental. For lots of less than five (5) acres, a single sign may be erected. For lots of five (5) acres or more in area and having a street frontage in excess of four hundred (400) feet, a second sign not exceeding four (4) square feet in area may be erected.
 - (b) Two (2) temporary directional signs may be placed within the public right-of-way during a special event (e.g., open house, garage sale). Each sign shall not

exceed six (6) square feet and shall not block entrances, sidewalks or obstruct Visibility Triangles. All signs shall be removed immediately after the event.

(c) Construction site identification signs which identify the project, owner or developer, architect, engineer, contractor and subcontractors, funding source, and related information including but not limited to sale or leasing information. Not more than one (1) such sign may be erected per site, and it may not exceed thirty-two (32) square feet in area. Such signs shall not be erected prior to the issuance of a zoning permit, if required, and shall be removed within three (3) days after the issuance of the final occupancy permit, job completion, or six (6) months whichever is less. If construction is not completed within the six (6) month period, the sign may remain on the property for an additional six (6) months or until the project is completed, whichever is sooner.

(d) Temporary signs attached to the interior of a building window or glass door. Window signs shall not exceed twenty-five (25) percent of the total window space. Such signs shall be removed within thirty (30) days after placement.

(e) Displays, including lighting, erected in connection with the observance of holidays provided they are removed within ten (10) days following the holidays. Temporary lighting for Christmas decorations from November 15 to January 15 are exempt.

(f) Signs erected on private property for elections or political campaigns. The signs shall be removed three (3) days after the election or conclusion of the campaign and may not exceed fifteen (15) square feet in surface area. A political candidate and/or representative may erect or hold a sign within the public right-of-way provided the candidate and/or representative is present and does not block entrances, sidewalks, or obstruct Visibility Triangles. Political signs in right-of-way may not exceed six (6) square feet in surface area.

(g) Sandwich-Board Signs. Sandwich-board signs are to be located near the business establishment entrance as a means to advertise to pedestrians. Properties with multiple businesses on one (1) lot shall not co-locate sandwich board signs. A business establishment may have one (1) single-sided portable sign or one (1) double-sided sandwich/portable sign provided the sign complies with the following standards: shall be placed on the ground and shall not be larger than eight (8) square feet; may be located within the public right-of-way provided it does not block entrances, sidewalks, or obstruct Visibility Triangles; shall be within fifteen (15) feet of the front door of the business; shall be removed during hours when the business is not open. Signs on publicly owned property for the purpose of public notice are exempt from the requirements of this Section.

(h) Special Event Signs and Banners in right-of-way. A temporary sign or banner in the Village right-of-way, announcing a nonprofit event is allowed upon approval of the Village Trustees, the size and location to be determined by the Trustees. Installation of the sign shall be supervised by the Village Public Works Department. In addition;

(i) The event shall be sponsored by a charitable, civil or nonprofit organization.

(ii) The event shall occur within the Village limits.

(iii) The sign shall indicate the sponsoring organization, location and duration of the event. No more than twenty (20) percent of

the sign area shall contain advertising of any product or commercial logo.

(i) Temporary sign(s) approved by the Village Trustees on public property or within the public right-of-way.

Other temporary signs not listed in this Section, shall be regarded and treated in all respects as permanent signs.

2. Temporary signs for which a permit is required.
 - (a) Signs indicating that a special event such as a grand opening, fair, carnival, circus, festival, or similar event is to take place on the lot where the sign is located. Such signs may be erected not sooner than two (2) weeks before the event and must be removed no later than three (3) days after the event. No such signs may exceed thirty (30) square feet in surface area.
 - (b) One (1) sign indicating or directing one to a special event of a nonprofit organization is allowed off the premises of the event with the owner's written permission. The signs may not be erected sooner than two (2) weeks prior to the event and must be removed no later than three (3) days after the event. No such signs may exceed thirty (30) square feet in surface area.
3. Any signs on public property shall be specifically approved by the Trustees.

B. Number of Signs

1. For the purpose of determining the number of signs, a sign shall be considered to be a single display surface or display device containing elements organized, related, and composed to form a unit. Where matter is displayed in a random manner without organized relationship of elements, each element shall be considered a single sign.
2. A two-sided sign shall be regarded as one sign if the distance between the backs of each face of the sign does not exceed one (1) foot.

C. Computation of Sign Area

1. The surface area of a sign shall be computed by including the entire area within a single, continuous, rectilinear perimeter of not more than eight straight lines, or a circle or an ellipse, enclosing the extreme limits of the writing, representation, emblem, or other display, together with any material or color forming an integral part of the background of the display or used to differentiate the sign from the backdrop or structure against which it is placed, but not including any supporting framework or bracing that is clearly incidental to the display itself.
2. If the sign has more than one (1) section or module, all of the area, including that between sections or modules, shall be included in the computation of the sign area.
3. The sign surface area of two-sided signs shall be computed by including the total of both sides designed to attract attention or communicate information that can be seen at any one (1) time by a person from one (1) vantage point.
 - (a) The sign surface of a double faced, back to back sign shall be calculated by using the area of only one (1) side of such sign if the distance between the backs of such signs does not exceed one (1) foot.

D. Wall Signs

1. Unless otherwise provided in this article, the total surface area devoted to all wall signs on any lot shall not exceed the limitations set forth in this section.
2. In the Commercial and Industrial Districts, one (1) wall sign per business

establishment is allowed, not exceeding five (5) percent of the following area:

(a) The size shall be computed as the length of wall multiplied by fifteen (15) feet, or twenty (20) square feet, whichever is greater. If a structure has multiple stories with different business establishments, the facade area shall be calculated by multiplying the length of wall used by each business establishment by vertical floor to ceiling height of each story.

3. No wall sign shall project more than eight (8) inches from the wall to which it is attached, extend beyond the building face on a street or parking lot, or exceed the lowest of the following height limitations:

(a) Twenty (20) feet above grade;

(b) The cornice line of the building at the building line.

4. In Commercial and Industrial Districts, one (1) business directory wall sign is allowed per principal structure. It must be attached to the principal structure and may not exceed thirty-two (32) square feet or two (2) square feet per business, whichever is less.

E. Number of Wall Signs

1. In Commercial and Industrial Districts, the overall number of wall signs shall not be restricted as long as the total square footage of all wall signs does not exceed the size limitation as listed in Section 714.D.2.

2. In lieu of a freestanding sign an additional twenty (20) square feet of wall signage shall be allowed. However, in no case may a single wall sign exceed the size limitations in Section 714.D.2.

3. In Commercial Districts, if a business is on a corner lot having frontage on two (2) streets, two (2) wall signs shall be allowed, one (1) on the facade facing each street.

F. Projecting Signs

One (1) projecting sign, perpendicular to the wall surface on which it is mounted, may be allowed, subject to the following:

1. The projecting sign must be securely fastened to the wall on which it is mounted.

2. The projecting sign may not project more than three (3) feet from the wall on which it is mounted.

3. The projecting sign shall not be more than two (2) feet tall.

4. The projecting sign shall be mounted so that no part is less than eight (8) feet above ground level.

5. Projecting signs within the Village Center District are specifically permitted. Projecting signs in any other District which would project over any public right-of-way shall require approval by the Board of Trustees.

G. Window Signs

1. In Commercial and Industrial Districts businesses are allowed temporary and permanent window signage not to exceed twenty five (25) percent of the total window area. Each separate window pane shall not have a sign greater than twenty five (25) percent of the window. The Planning Commission may waive the twenty five (25) percent limit on window signage upon determination that the waiver request is consistent with the intent and purpose of the sign regulations as outlined in Section 502.K.

2. Window signs do not require a permit, but must comply with the twenty five (25) percent limit on window signage.

3. Village Center District – Businesses in the Village Center District shall be allowed one (1) internally lit or neon window sign. All internally lit or neon window signs shall not to exceed three (3) square feet and shall require approval of a sign permit. Businesses on a corner lot shall be allowed to have two (2) internally lit or neon window signs, one (1) facing each street frontage. A business that has over one hundred and fifty (150) feet of street frontage shall be allowed two (2) internally lit or neon window signs subject to the size restrictions. All other internally lit permanent, temporary or window signage is expressly prohibited in the Village Center District unless otherwise provided in this Chapter.

H. Awnings

1. A premise, and each occupant of a shopping center or multi-use building, may display awnings on each street or highway frontage in any Commercial District. In addition, awnings are allowed over windows and entrances that do not front on a Public Street or highway. All awnings shall be allowed subject to the following limitations:

- a) The awning may extend to within one (1) foot of the vertical plane created by the curb or right-of-way line.
- b) Awnings must clear the sidewalks or ground by at least eight (8) feet.
- c) The top of the awning, where it is attached to the building, shall be no higher than fourteen (14) feet above grade
- d) An awning with letters in the form of a sign shall be considered a wall sign.
- e) Awnings without letters shall be allowed subject to the size and height restrictions above, but the overall number of awnings shall not be restricted.
- f) Awnings may be non-illuminated or externally illuminated only by down-directed and shielded fixtures and incandescent bulbs.

I. Freestanding Signs

1. For purposes of this section, a side of a freestanding sign is any plane or flat surface included in the calculation of the total sign surface area.

2. In Commercial and Industrial Districts, a single side of a freestanding sign may not exceed three tenths (0.3) of a square foot in surface area for every one (1) linear foot of street frontage along the street toward which such sign is primarily oriented. However, in no case may a single side of a free standing sign exceed forty (40) square feet in surface area if the lot on which the sign is located has less than two hundred (200) feet of frontage on the street toward which that sign is primarily oriented, fifty (50) square feet on lots with two hundred (200) or more but less than four hundred (400) feet of frontage, and sixty (60) square feet on lots with four hundred (400) feet or more of frontage.

3. Freestanding signs that have no discernable sides, such as spheres or other shapes not composed of flat planes, may not exceed the maximum total surface area allowed under for a single side of a freestanding sign.

4. In all Districts, any legal business or recreational use, except a Home Occupation, that is not readily visible from a street, may be allowed to erect one (1) off-premise directional sign. This sign may not exceed four (4) square feet, and must be on an adjacent lot or on a right-of-way owned or leased by the business in question. This directional sign must be set back at least five (5) feet from the edge of the right-of-way. Staff may deny an application for a directional sign in any residential district which in Staff's judgment alters the character of the area.

5. Businesses with Drive-Through Facilities may have one (1) menu board sign in addition to one (1) free-standing sign. A menu board sign shall not exceed forty-eight (48) square feet and shall be screened from the public right-of-way.

6. Automobile service stations or convenience stores selling gasoline may add twelve (12) square feet to the free-standing sign allowance for price signs. They must be part of or attached to the supports of the one (1) allowed free-standing sign, gas pump canopy, gas pump, or combination thereof and shall not exceed the additional twelve (12) square foot allowance.

J. Number of Freestanding Signs

1. Except as specifically authorized by this section, no lot or group of contiguous lots used for a single development, may have more than one freestanding sign. However, lots with greater than four hundred (400) feet of frontage may have an additional freestanding sign, not to exceed twenty (20) square feet provided the freestanding signs are at least one hundred and fifty (150) feet apart.

2. If a development is located on a lot that is bordered by two (2) public streets that do not intersect at the lot's boundaries (Double Frontage Lot) then the development may not have more than one (1) freestanding sign on each side of the development bordered by such streets.

3. Directional signs for driveway entrances or exits, which provide direction, instruction or convenience to the public shall be restricted as follows:

(a) No more than one (1) such sign shall be located at each driveway.

(b) No advertising or business logo information shall be located on such information signs.

(c) Each directional sign shall not exceed three (3) square feet in area.

(d) Directional signs must be set back at least five (5) feet from the edge of the right-of-way and shall not exceed three (3) feet in height above grade.

(e) A directional sign in the Industrial District may be twelve (12) square feet in area and have a maximum height of ten (10) feet if it is set back two hundred (200) feet or more from the nearest public road.

4. An automobile service station or convenience store with a gas pump canopy may use its one (1) free-standing sign and area allowance on the two (2) ends of the canopy with a maximum sign height of three (3) feet.

5. Landscaping regulations for free-standing signs are as follows:

(a) The area within five (5) feet of all sides of a permanent free-standing sign shall contain landscaping, consisting of shrubs, rock beds, vines or flowering plants, or any combination thereof. A planter or berm no more than three (3) feet above average grade may be approved by the Staff provided that such planter does not increase the height of the sign.

(b) Landscaping shall be maintained in a neat, clean and healthy condition. This shall include proper pruning, mowing of grass, weeding and removal of litter. Landscaping plantings that perish shall be replaced by the next planting season.

K. Subdivision, Multi-Family, and School Entrance Signs.

At any entrance to a residential subdivision, multi-family development or school, there may be not more than two free-standing or wall signs identifying the entrance. A single side of any such sign may not exceed ten (10) square feet.

L. Location and Height Requirements

Unless otherwise allowed in this Chapter, the following shall be required for all free-standing signs and permanent signs.

1. Front Yard Setbacks. Signs must meet the following minimum front yard setbacks:
 - (a) In all districts, signs shall be set back no less than ten (10) feet from the property line.
 - (b) On lots located on the northerly side of Pearl Street between 159 Pearl Street and Susie Wilson Road, signs shall be set back no less than seven and one-half (7.5) feet from the property line.
 - (c) If a building is located closer to a street than the minimum setback for signs, all signs shall be located flush with the facade of the building.
2. Side and Rear yard Setbacks. Side and rear yard minimum setbacks shall be ten (10) feet in non-residential districts and fifteen (15) feet in all Residential, Neighborhood Commercial, Residential/Office Districts.
3. Height. The height of a sign shall include the height of any supportive posts or structure. No free-standing sign shall exceed the following maximum heights:
 - (a) In the Commercial and Industrial Districts, signs shall not exceed fifteen (15) feet in height.
 - (b) Signs for commercial uses in Residential/Office and Residential Districts shall not exceed ten (10) feet in height.
 - (c) Signs for residential uses, including Home Occupations, in all Residential and Residential/Office Districts shall not exceed five (5) feet in height.

M. Sign Illumination and Signs Containing Lights.

Unless otherwise prohibited, signs may be illuminated as specified below:

1. Unless specifically provided for elsewhere in the code, internally illuminated signs are prohibited in Flood Plain, Residential/Office and Village Center District. Internally lit signs in the Village Center District may be allowed with approval of the Planning Commission upon determination that the internally lit sign meets the intent of Section 502.H.1.
2. Externally illuminated signs shall meet the following standards:
 - (a) The average level of illumination on the vertical surface of the sign shall not exceed three (3.0) foot-candles, and the uniformity ratio (ratio of average to minimum illumination) shall not exceed two to one (2:1).
 - (b) Lighting fixtures illuminating signs shall be carefully located, aimed, and shielded so that light is directed only onto the sign facade. Lighting fixtures shall not be aimed toward adjacent streets or properties.
3. Internally illuminated signs are allowed in the Highway Arterial, Multi-Family/Mixed Use-1, Multi-Family/Mixed Use-2, Transit Oriented Development and Mixed Use District and shall meet the following standards:
 - (a) The lettering or symbols shall constitute no more than forty (40) percent of the surface area of the sign.
 - (b) The luminous transmittance for the lettering or symbols shall not exceed thirty-five (35) percent.
 - (c) The luminous transmittance for the background portion of the sign shall not

exceed fifteen (15) percent.

(d) Light sources shall be fluorescent tubes, spaced at least twelve (12) inches on center, mounted at least three and a half (3.5) inches from the translucent surface material.

4. Signs within one hundred and fifty (150) feet of a Residential District or residential use may be illuminated only during operating hours of the business or until 9:00 P.M., whichever is earlier.
5. Lighting directed toward a sign shall be shielded so that it illuminates only the face of the sign. It shall not shine directly into a public right-of-way or residential property.
6. Internally illuminated freestanding signs may not be illuminated during hours that the business or enterprise advertised is not open for business except:
 - (a) Signs that constitute an integral part of a telephone booth, device that indicates the time, date or, temperature or similar device.
 - (b) Signs that do not exceed two (2) square feet in area and that convey the message that a business enterprise is open or closed or that a place of lodging does or does not have a vacancy.
 - (c) Internally illuminated vending machines shall not be allowed outside of buildings except in Commercial Districts.
7. Illuminated tubing or strings of lights that outline property lines, sales areas, roof lines, doors, windows, or similar areas are prohibited.
8. No sign may contain or be illuminated by flashing or intermittent lights or lights of changing degrees of intensity, except signs indicating the time, date or temperature and barber pole signs.
9. String lights may be used in connection with commercial premises except as specifically prohibited within this Section.

N. Miscellaneous Restrictions and Prohibitions.

1. Signs located off the lot of the business, except those specified in Section 714, are prohibited.
2. Signs which obstruct the view of official signs and approaching or merging traffic are prohibited.
3. Signs that revolve or are animated or that utilize movement or apparent movement are prohibited. Without limiting the foregoing, banners, balloons, streamers, animated display boards, non-governmental flags, pennants and propellers are prohibited.
4. No sign may be erected so that by its location, color, size, shape, nature, or message it would obstruct the view of or be confused with official traffic signs or other signs erected by governmental agencies.
5. Permanent freestanding signs shall be securely fastened to the ground or to some other substantial supportive structure to minimize danger that either the sign or the supportive structure may be moved by the wind or other forces of nature and cause injury to persons or property.
6. Any signs which advertise a business which no longer exists or a product no longer sold are prohibited.
7. Portable or temporary signs or any sign erected on a parked vehicle where such a sign would not otherwise be permitted are prohibited.
8. Unless otherwise permitted by this ordinance, signs over or in the public right-of-

way are prohibited unless specifically approved by the Trustees.

9. Signs erected so as to obstruct any door, window or fire escape on a building are prohibited.

10. No sign shall be erected, attached, painted, or maintained upon utility poles, or trees and other natural features.

11. Any sign containing a phosphorescent paint is prohibited.

12. Signs which appear to direct the movement of traffic, interfere with, imitate, or resemble any official traffic, directional, or route signs, signal, or device are prohibited.

13. Tourist information signs under Chapter 21, Title 10 of Vermont Statutes Annotated are permitted.

14. The legal display of governmental or non-governmental flags is allowed, subject to the following limitations:

(a) Flags with advertising or commercial logos shall be considered to be free-standing signs.

(b) No more than three (3) such flags may be displayed per business.

(c) Flag poles must meet all setback requirements.

(d) At no time shall any flag extend across a property line onto an adjoining property or public right-of-way.

1. Roof signs are prohibited.

2. Signs on sport fields that are not visible from the public right-of-way do not require a permit if the top edge of the sign is not more than five (5) feet off the ground. Signs that are visible from the public right-of-way shall require a permit.

O. Maintenance of Signs

1. All signs and all components thereof, including but not limited to, supports, braces, and anchors, shall be kept in a state of good repair. With respect to freestanding signs, components (supporting structures, backs, etc.) not bearing a message shall be constructed of materials that blend with the natural environment or shall be painted or stained with a neutral color to blend with the natural environment.

2. Staff is authorized to order the repair or removal of any sign which in the judgment of the Staff is dangerous, or which is erected or maintained contrary to this Code.

P. Unlawful Cutting of Trees or Shrubs. No person may damage, trim, destroy or remove any trees, shrubs or other vegetation for the purpose of increasing or enhancing the visibility of any sign in any of the following locations:

1. Within any public right-of-way of unless the work is done pursuant to the expressed written authorization of the Village or other Agency having jurisdiction over the streets.

2. On property that is not under the ownership or control of the person responsible for such work unless the work is authorized by the owner.

3. In any area where such trees or shrubs are required to remain under a permit issued by the Village or any other Agency having jurisdiction to issue such permits.

Q. Exemptions. The provisions and regulations of this Ordinance shall not apply to the following signs. However, said signs shall be subject to the provisions of Section 502.H:

1. One- or two-sided free-standing signs for municipal departments which are used

to provide public information, and are deemed to meet the intent of Section 502.H.1. Such signs must be approved by the Planning Commission and Board of Trustees, may not exceed thirty (30) square feet per side, must be at least fifteen (15) feet from the pavement of any public right-of-way, must not be located within any right-of-way, and may not exceed ten (10) feet in height. Such signs may include an Electronic Message Board not exceeding ten (10) square feet on each side of the sign, which may only be used between the hours of 7:00 A.M. and midnight. Information may be displayed on the message board on an intermittent basis, provided each display is at least five (5) minutes in duration. Each department shall be limited to one (1) sign.

SECTION 715: TELECOMMUNICATIONS

A. Balloon Test. The Planning Commission may require the applicant to fly a four (4) foot diameter brightly colored balloon at the location and maximum elevation of any proposed tower. If a balloon test is required, the applicant shall advertise the date, time, and location of this balloon test at least seven (7) days in advance of the test in a newspaper with a general circulation in the Town. The applicant shall also inform the Planning Commission, in writing, of the date, time and location of the test, at least fifteen (15) days in advance of the test.

1. The balloon shall be flown for at least eight (8) consecutive daylight hours on two (2) days. If visibility and weather conditions are inadequate for observers to be able to clearly see the balloon test, further tests may be required by the Planning Commission.

B. Criteria For Approval And Conditions. An application for a Wireless Telecommunication Facility permit shall be approved after a hearing when the Planning Commission finds all the following criteria have been met:

1. The Facility will not be built on speculation. If the applicant is not a Wireless Telecommunication Service Provider, the Planning Commission may require the applicant to provide a copy of a contract or letter of intent showing that a Wireless Telecommunication Service Provider is legally obligated to locate a Wireless Telecommunication Facility on lands owned or leased by the applicant.

2. The Facility will not project more than twenty (20) feet above the average elevation of the tree line measured within fifty (50) feet of the highest vertical element of the Wireless Telecommunication Facility, unless the proposed elevation is reasonably necessary to provide adequate Wireless Telecommunication Service capacity or coverage or to facilitate collocation of facilities.

3. The minimum distance from the base of any tower to any property line is not less than one hundred (100) percent the total elevation of the tower, including antenna or equipment.

4. The Facility will not be illuminated by artificial means and will not display any lights or signs except for such lights and signs as required by Federal Aviation Administration, federal or state law, or this Code.

5. The applicant will remove the Facility, should the Facility be abandoned or cease to operate. The Planning Commission may require the applicant to provide a bond, or other form of financial guarantee acceptable to the Planning Commission to cover the cost of removal of the Facility, should the Facility be abandoned or cease to operate.

6. The applicant demonstrates that the facility will be in compliance with all Federal Communications Commission (FCC) standards and requirements regarding radio

frequency radiation.

7. The applicant will maintain adequate insurance on the Facility.
8. The Facility will be properly identified with appropriate warnings indicating the presence of radio frequency radiation. The Planning Commission may condition a permit on the provision of appropriate fencing.
9. The proposed equipment cannot be reasonably collocated at an existing Wireless Telecommunication Facility. In determining whether the proposed equipment cannot be reasonably collocated at an existing facility, the Planning Commission shall consider the following factors:
 - (a) The proposed equipment would exceed the structural or spatial capacity of the existing facility and the existing facility cannot be reinforced, modified or replaced to accommodate planned equipment at a reasonable cost.
 - (b) The proposed equipment would materially impact the usefulness of other equipment at the existing facility and such impact cannot be mitigated or prevented at a reasonable cost.
 - (c) The proposed equipment, alone or together with existing equipment, would create radio frequency interference and/or radio frequency radiation in violation of federal standards.
 - (d) Existing towers and structures cannot accommodate the proposed equipment at an elevation necessary to function reasonably or are too far from the area of needed coverage to function adequately.
 - (e) Collocation of the equipment upon an existing tower would cause an undue aesthetic impact.
10. The Facility provides reasonable opportunity for collocation of other equipment.
11. The Facility will not unreasonably interfere with the view from any public park, natural scenic vista, historic building or district, or major view corridor.
12. The Facility will not have an undue adverse aesthetic impact. In determining whether a facility has an undue adverse aesthetic impact, the Planning Commission shall consider the following factors:
 - (a) The results of the balloon test, if conducted.
 - (b) The extent to which the proposed towers and equipment have been designed to blend into the surrounding environment through the use of screening, camouflage, architectural design, and/or imitation of natural features.
 - (c) The extent to which access roads have been designed to follow the contour of the land and will be constructed within forest or forest fringe areas and not open fields.
 - (d) The duration and frequency with which the Facility will be viewed on a public highway or from public property.
 - (e) The degree to which the Facility will be screened by existing vegetation, topography, or existing structures.
 - (f) Background features in the line of sight to the Facility that obscure or make the Facility more conspicuous.
 - (g) The distance of the Facility from the point of view and the proportion of the facility that is above the skyline.
 - (h) The sensitivity or unique value of a particular view affected by the Facility.
 - (i) Any significant disruption of a viewshed that provides context to an important historic or scenic resource.

13. The Facility will not destroy or significantly imperil necessary wildlife habitat or that all reasonable means of minimizing the destruction or imperilment of such habitat or species will be utilized.

14. The Facility will not generate undue sound.

C. Continuing Obligations For Wireless Telecommunication Facilities. The owner of a Wireless Telecommunication Facility shall, at such times as requested by the Planning Commission, file a certificate showing that it is in compliance with all FCC standards and requirements regarding radio frequency radiation, and that adequate insurance has been obtained for the Facility. Failure to file a certificate within the timeframe requested by the Planning Commission, shall mean that the Facility has been abandoned.

D. Removal of Abandoned or Unused Facilities. Unless otherwise approved by the Planning Commission, an abandoned or unused Wireless Telecommunication Facility shall be removed within ninety (90) days of abandonment or cessation of use. If the Facility is not removed within ninety (90) days of abandonment or cessation of use, the Planning Commission may cause the Facility to be removed. The costs of removal shall be assessed against the Facility owner. Unused portions of a Wireless Telecommunication Facility shall be removed within one hundred and eighty (180) days of the time that such portion is no longer used. Replacement of portions of a Facility previously removed shall require a new permit, pursuant to Section 502.N.5-6.

SECTION 716: RESERVED

SECTION 717: DAY CARE AND FAMILY CARE FACILITIES

A. Purpose. To allow for the provision of Day Care and Family Care Facilities within all Districts and to provide criteria for the review of such facilities.

B. General Standards:

1. Parking. Parking for Day Care and Family Care Facilities shall meet the following standards:

- (a) Appropriate parking and unloading areas shall be provided for all facilities.
- (b) The amount of parking and unloading areas to be provided shall be based on the number of clients served at any one time and the number of shifts to be provided.
- (c) The location of parking and unloading areas shall be considered relative to the structure, its entrances, and the location of adjoining streets.
- (d) The impact of required parking facilities upon adjoining properties and neighborhood characteristics shall also be considered.

2. Operators of the Day Care or Family Care Facility shall submit a parking and circulation plan which shall include:

- (a) A general layout of the lot, including the location of existing structures, driveways, and abutting streets and alleys.
- (b) The location of proposed parking and unloading areas.

C. Day Care Facility Standards:

1. Play space of not less than thirty-five (35) square feet per child shall be provided.

Play space shall not include floor space used for permanent and stationary equipment, storage, halls, bathrooms, offices and kitchens.

2. A fenced-in play area of not less than fifty (50) square feet per child shall be provided; said space shall not be located closer than twenty-five (25) feet to any public or private street and shall be fenced to a minimum height of forty-eight (48) inches.

3. A fenced outdoor play area shall not be required if a child care center exclusively provides preschool instruction for not more than three (3) hours per day, and children are not permitted to play outside.

4. Day care facilities shall not be located above the first story of the structure unless safety codes are met. Basements shall not be used for child care unless all usable rooms have fire escapes and rescue windows or doors which meet all Vermont Fire Protection Codes.

D. Standards of Review. The Zoning Board shall review all applications for Family and Day Care Facilities as Conditional Use Permits. In addition, review shall include the following:

1. Proximity to major streets.
2. Proximity to schools, recreation facilities, sidewalks and bicycle paths.
3. Traffic to be generated by the facility.
4. Proposed hours of operation of the facility.
5. Maximum number of children to be served by the facility.
6. Potential impact of the proposed facility upon the surrounding neighborhood.
7. Existing or potential levels of air and sound pollution in the area.
8. Access to adjacent areas of commercial or industrial employment.
9. Type of vehicular traffic common to the area.

E. Zoning Board Actions. The Zoning Board may deny, approve, or approve with conditions based upon applicable review criteria.

F. Exemptions. Day Care Homes and Family Care Homes as defined in this Code are exempt from the provisions of this Section.

SECTION 718: PERFORMANCE STANDARDS

A. Purpose/Applicability. These performance standards are established to protect the public health, safety and general welfare. No land or building shall be used or occupied in any manner which creates dangerous, injurious, noxious or otherwise objectionable conditions. The Village may retain a qualified consultant at the expense of the applicant or owner to review any application for conformance to any of these standards. Any use authorized by this Code shall meet performance standards as specified herein. No use may be established or structure constructed which violates these performance standards without specific approval of the Commission or Board as authorized herein.

B. Sound. It shall be a violation of this ordinance for any property owner or occupant to create, or allow to be created, sound in excess of the following stated limits:

1. At any point where the property on which the sound emanates adjoins any property used for residential purposes sound shall not exceed the following levels of intensity:

TIME PERIOD	One hour Average dba	Instantaneous Maximum dba
12:00 Midnight to 1:00 AM	55	65
1:00 AM to 7:00 AM	50	60
7:00 AM to 12:00 Midnight	70	80
9:00 PM to 12:00 Midnight preceding official Essex Junction school days	60	70

2. At any point where the property on which the sound emanates adjoins any property used for commercial uses:

TIME PERIOD	One hour Average dba	Instantaneous Maximum dba
12:00 Midnight to 1:00 AM	70	80
1:00 AM to 7:00 AM	60	70
7:00 AM to 12:00 Midnight	80	90

3. At any point where the property on which the sound emanates adjoins any property used for industrial purposes:

TIME PERIOD	One hour Average dba	Instantaneous Maximum dba
12:00 Midnight to 1:00 AM	70	80
1:00 AM to 7:00 AM	60	70
7:00 AM to 12:00 Midnight	85	95

4. For purposes of this regulation, the following terms shall be defined as stated below.

- (a) Decibel - a unit measure of sound level;
- (b) Sound level - in decibels measured by a sound level meter, using "A" frequency weighting (expressed in DBA)
- (c) Average sound level - a sound level during a given period of time (e.g., one

hour) found by the general rule of combination of sound levels. Also called equivalent sound level.

5. Exemptions. Sounds associated with standard agricultural operations shall be exempt from this standard.

C. Odor. No use shall be located or operated which involves the emission of odorous matter which is detectable beyond the property line of the lot on which the odor is generated.

1. The odor threshold established herein shall be determined by observation at the property line.

2. Where the operator or owner disagrees with the determination that a violation exists, the Village shall cause the odor to be measured by the methods and procedures established by the American Society for Testing materials. The owner, or operator, shall be responsible for all costs associated with the required testing.

3. Odors emanating from standard agricultural operations, municipal wastewater and pump stations are exempt.

D. Explosives. No use or structure shall be established which involves the storage or sale of explosives as a principal use. Explosive materials which are incidental to any construction activity are exempt from this requirement provided, however, that provisions are made for handling and storing such materials that meet or exceed all applicable Federal and State regulations.

E. Smoke and Particulate Matter. No use shall be established or operated which emits smoke or particulate matter beyond the property line. The smoke and particulate matter threshold shall be determined by observation at the property line.

1. Any application for development approval which may cause the emission of smoke or particulate matter shall produce evidence that the emissions will not exceed applicable Federal or State emission standards.

2. When the Village asserts that a violation exists and the owner or operator disagrees the Village shall cause the smoke or particulate matter to be measured by an expert at the expense of the owner or operator.

3. The owner or operator of any source of particulate matter shall use best available control technology to minimize emissions. All construction or land-clearing activities shall use best available control technology to minimize emissions.

4. Techniques used to minimize particulate emissions shall include, but are not limited to, application of dust suppressants, watering of construction sites, control of speed on unpaved drives or parking areas and the installation of pollution control devices at any emission point source.

5. Wood stoves or fireplaces are exempt from this standard.

F. Hazardous materials. Hazardous materials as defined in applicable State and Federal regulations shall not be used, stored, or transported contrary to these regulations. Review and regulations regarding the classification of hazardous materials shall be the responsibility of applicable State and/or Federal agencies. Inspection of sites which involve the use of hazardous materials shall be the responsibility of applicable Federal and/or State agencies. The Commission may place conditions on any application as recommended by an outside expert hired by the Village. Furthermore, any location which stores or uses hazardous materials shall notify

the Fire Department regarding the location and type of said hazardous materials on the site.

G. Visual Impact. The Commission may review visual impact of any proposed development located in any Commercial or Industrial District. The Commission may place conditions on any approval or may require the alteration or relocation of any proposed structure which in its opinion would significantly alter the existing character of the area.

1. Factors for Evaluation. Visual impact shall be evaluated through analysis of the following factors and characteristics:
 - (a) Conformance to all regulations and standards as specified herein.
 - (b) Selection and appropriate use of materials.
 - (c) Harmony and compatibility of architectural character with surrounding structures.
 - (d) Exterior space utilization in regard to efficient use of site and existing significant natural or man-made features.
 - (e) Circulation - vehicular and pedestrian.
 - (f) Height, size and bulk of proposed and adjoining buildings.
 - (g) Creativity.

Nothing in this section shall be deemed to require a specific design or architectural treatment. Evaluation of a proposal shall be based upon the specific proposal at a specific site.

2. Relationship of Buildings to Site:
 - (a) The site should be designed to provide an appropriate and safe transition from the street to the building. Consideration shall be given to safe pedestrian movements, use of planting materials and placement of parking areas to provide a transition.
 - (b) Consideration shall be given to screening parking areas from view from public ways through the use of design elements such as decorative screening, building wall extensions, berms and landscaping materials.
 - (c) The height and scale of each building shall be compatible with the site and existing adjoining buildings:
3. Relationship of buildings and site to adjoining area.
 - (a) Adjacent buildings of different architectural styles shall be considered. To the extent possible, compatibility shall be ensured through the use of screens, sight breaks and materials. Consideration shall be given to the height, bulk and scale of the proposed structure in comparison to existing adjoining buildings.
 - (b) General architectural features including basic building and roof forms, treatment of cornices and windows, treatment of major entrances, placement of doors, fenestration patterns, and use of colors shall be reviewed for compatibility with adjoining buildings.
4. Landscape and Site Treatment:
 - (a) Where unique natural or significant man made features exist, effort should be made to preserve these features.
 - (b) Landscape treatment shall enhance architectural features and vistas.
 - (c) Landscaping and grading shall direct and encourage safe pedestrian, bicycle and vehicular access.
 - (d) Screening of service yards, dumpsters, and utilities shall be accomplished through the use of walls, fencing, plantings or courtyards.
 - (e) Exterior lighting shall be designed and installed to enhance the building

design and to minimize negative impact on adjacent buildings or properties.

5. Building Design:

(a) Evaluation of the appearance of a project shall be based upon the quality of design and relationship to its surroundings. Generally, the following standards shall be considered:

- (i) Architectural harmony of the building with adjoining buildings.
- (ii) Materials shall be of durable quality and shall be architecturally harmonious. Consideration shall be given to the use of materials which are suitable to the proposed use of the building.
- (iii) Building components, such as doors, windows, eaves and parapets, shall have good proportions and relationships to each other.
- (iv) Colors shall be harmonious to the site and adjoining buildings.
- (v) Lighting fixtures shall be part of the architectural concept and shall be compatible with surrounding buildings and materials.
- (vi) Variation and creativity of detail, form and siting shall be considered to provide visual interest.
- (vii) Scale of the proposed buildings, including number of stories, bulk, height, site location and lot coverage shall be considered to determine compatibility with adjoining buildings.

H. Gas Transmission Lines and Facilities. Every gas transmission and distribution piping system shall be constructed, operated, and maintained in compliance with current Federal and State rules and regulations. Every gas appliance and gas piping system shall be constructed, operated and maintained in compliance with the provisions of the "American Standards for the Installation of Gas Appliances and Gas Piping." Any construction, placement, or alteration of any facilities within the public right-of-way shall be reviewed and approved as specified herein.

SECTION 719: LANDSCAPE AND TREE PLANTING REQUIREMENTS

A. Purpose and Intent. To protect and enhance the community's environmental, economic and aesthetic quality, thereby contributing to the overall objective of promoting public health, safety, and welfare. More specifically, it is the purpose of this Section to:

1. Reduce sound, glare, and heat.
2. Protect, preserve and improve property values.
3. Reduce conflicts between adjoining land uses and incompatible activities.
4. Promote energy conservation through the use of vegetation.
5. Protect the environment by contributing to air purification, oxygen regeneration, ground water recharge and minimizing erosion through storm water run-off.
6. Enhance community appearance, identity and unique natural beauty.
7. Preserve and protect existing mature tree growth.
8. Channelize vehicular and pedestrian movement within off-street parking areas.
9. Delineate parking areas and adjacent right-of-way.
10. Delineate ingress and egress points.

B. Tree Protection. Any application for development approval by the Commission shall submit a plan, which indicates the location of existing mature trees, or tree groupings, and shall indicate on the plan those trees or tree groupings which are proposed to be saved. The

Commission may grant a credit of up to fifty (50) percent of the required landscaping for the preservation of mature trees.

C. Street Trees. The developer or applicant for any development approval under this Code shall plant one (1) shade tree of a species determined by the Commission for each forty (40) feet of frontage along a right-of-way bordering the property.

1. Existing single family and two family lots are exempt from this provision.
2. Street trees shall be planted either within the right-of-way or along the frontage of the lot, as determined by the Commission.
3. The Commission may waive this requirement if substantial efforts are proposed for preserving existing mature trees along the right-of-way.
4. This provision shall not apply to applications for the expansion of existing commercial or industrial facilities if the expansion amounts to five hundred (500) square feet or less of enclosed floor space.

D. Landscaping. There shall be a sufficient amount of landscaping and screening, as may be reasonably determined by the Planning Commission, to insure protection of and enhance the quality of the project in question and adjacent properties. The landscape plan must be drawn by a landscape architect, landscape designer, or competent landscape professional, and the landscaping requirement will be a minimum of three (3) percent of the total construction cost for new construction up to \$250,000. For new construction projects above \$250,000, the landscape requirement shall be a minimum of two (2) percent of the total construction cost. In the case of construction projects above \$1,000,000, a landscape architect, licensed by the State of Vermont's Office of Professional Regulation, will be required to prepare a landscape plan. This may be waived in unusual circumstances. The Commission may permit or require improvements to the public right-of-way in part or in lieu of on-site landscaping to be used to improve the pedestrian environment including street trees, plantings, stormwater retention and pedestrian amenities. With a new use on existing development or renovation on existing property, the applicant must provide landscaping adequate to provide screening and environmental enhancement to the satisfaction of the Planning Commission.

1. Landscape Plan:
 - (a) Preliminary Site Plan
 - (i) A general concept of the landscaping, in both written and graphic form.
 - (ii) A list of existing vegetation, with the location, type, and size of existing trees of six (6) inches or greater in caliper.
 - (iii) A written plan to preserve and protect significant existing vegetation during and after construction. Such plan will be sufficient detail that the Village of Essex Junction will be able to inspect the site during construction to ensure that the existing vegetation is protected as per plan.
 - (iv) The location of existing natural features, such as streams, wetlands, and rock outcroppings.
 - (b) Final Landscape Plan
 - (i) All proposed physical improvements, such as buildings, walls, parking areas sidewalks, etc.
 - (ii) Proposed landscaping materials, including vegetation to remain, types of new plant materials, identified by common name and botanical name, sizes of all new plant materials by height and/or diameter at time of

- planting and at maturity, quantities of each of the planting materials, and treatment of the ground surface(paving, seeding, or groundcover).
- (iii) Methods of controlling erosion and protecting landscaped areas.
 - (iv) A landscape phasing plan. Construction phasing shall be shown on the landscape plan with landscape and construction activities correlated.
2. Landscaping Requirements:
- (a) All required landscaping shall comply with the intent and purpose of these regulations.
 - (b) If at the time of final inspection, all the requirements of these regulations have not been completed in a satisfactory manner, a certificate of occupancy shall not be issued unless the applicant has provided a monetary security guarantee. All required landscaping shall be installed as per plans submitted.
3. Applicability - New and Existing Developed Areas
- (a) The Commission may require review of proposed landscaping.
 - (b) New Development or Redevelopment: All new development, construction or reconstruction shall be in full compliance with the provisions of these regulations.
 - (c) Existing Developed Areas. Compliance required: All property with existing development which is not in compliance with the provisions of this Section shall be considered nonconforming, and allowed to continue until such time as application is made to add, enlarge or reconstruct a structure on the property. At that time a plan showing existing and new development and the proposed landscaping plan shall be submitted. The Commission will consider the existing development, proposed change or alteration, and the impact of the proposed use on the site, parking and circulation. Nothing in this Section shall prevent the Commission from requiring landscaping for the proposed area designated for change.
4. General Requirements
- (a) Installation: All landscaping shall follow accepted horticultural practices.
 - (b) Maintenance: All planting shown on an approved site plan shall be maintained by the property owner in a vigorous growing condition throughout the duration of the use. Plants not so maintained shall be replaced with new plants at the beginning of the next growing season. Trees with a caliper of less than five (5) inches may be replaced on an inch-by-inch basis with trees of at least two and a half (2.5) inches caliper preferably of the same genus.
 - (c) Failure to maintain: Failure to replace materials per approved plans shall be a violation of this Code.
5. Design Standards:
- (a) Required parking areas must be shaded by deciduous trees (either retained or planted by the developer) that have or will have when fully mature a trunk of at least twelve (12) inches in diameter. Each tree shall be presumed to shade a circular area having a radius of fifteen (15) feet with the trunk of the tree as the center and there must be sufficient trees so that using this standard, twenty (20) percent of the parking area will be shaded. The twenty (20) percent parking lot shade coverage may be waived by the Planning Commission in unusual circumstances, such as existing lots or lots which are not visible from off-site.
 - (b) Trees used in parking lots should be placed far enough back from the curb to accommodate the overhang of an automobile.

- (c) The parking lot should be screened with shrubs or other barriers to the extent possible.
 - (d) When planters are used in parking lot interiors, a surface area should be made available for aeration and water infiltration of at least twenty-five (25) square feet per tree. Islands may be graded and planted to serve as collection and treatment areas for stormwater management. It is recommended that sections of curb cut be no more than five (5) feet in length.
 - (e) If possible, the parking lot should be located to the rear or side of the building with landscaping to the front of the structure.
 - (f) Fruit bearing trees should be avoided where vehicular and pedestrian traffic exists.
 - (g) Curbs or other physical barriers should be installed around plant material located within the parking lot.
 - (h) When trees are planted to provide shade on the pavement, they should be located to the south of the pavement to maximize available shade.
 - (i) To the extent possible, trees should be located so that at mature height spread they will not interfere with overhead power lines.
 - (j) Evergreen trees should be avoided in areas where the mature trees will create hazardous interruption of views to oncoming traffic, or where they will create hazardous snow drifting on the parking area or public right-of-way.
 - (k) Vegetative areas should be planted with species normally found in the area.
6. The Planning Commission shall require compliance with any Tree Ordinance or Landscape Design Standards enacted by the Village of Essex Junction, subsequent to the effective date of these regulations.
7. Applications utilizing municipally owned land must be reviewed by the Village of Essex Junction Tree Advisory Committee. The Planning Commission, at their discretion, may ask the Tree Advisory Committee and or the Village of Essex Junction Tree Warden to comment on any landscape plan with regard to tree species selection and location.
8. Example Schematics:

Figure 8.1 Parking Area Landscaping/Screening



From Landscape Guide for Vermont Roadways & Transportation Facilities

Figure 8.2 Perimeter Landscaping for Parking Areas

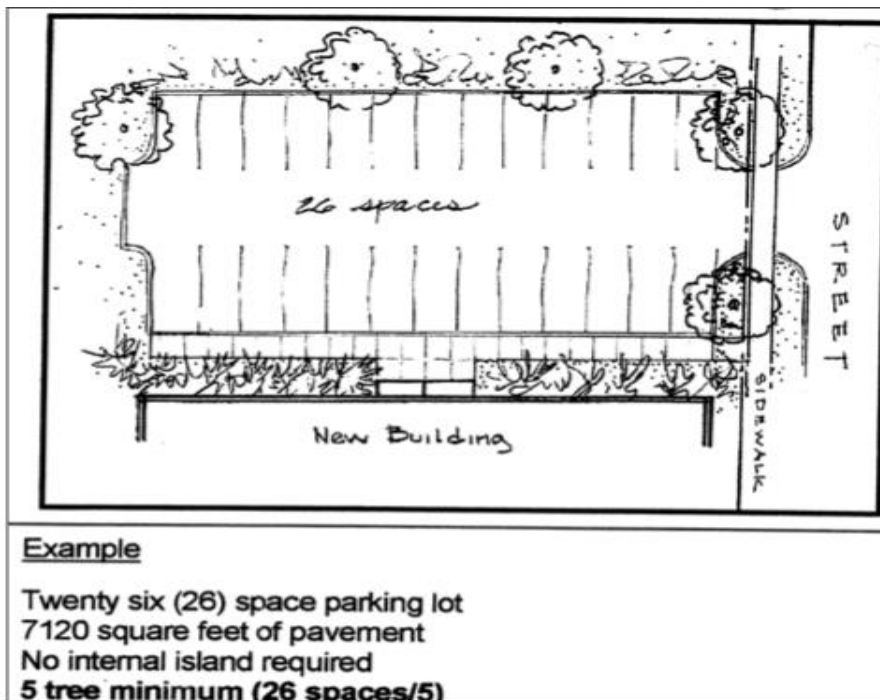


Illustration by Kathleen Ryan, ASLA

Figure 8.3 Internal and Perimeter Landscaping for Parking Areas

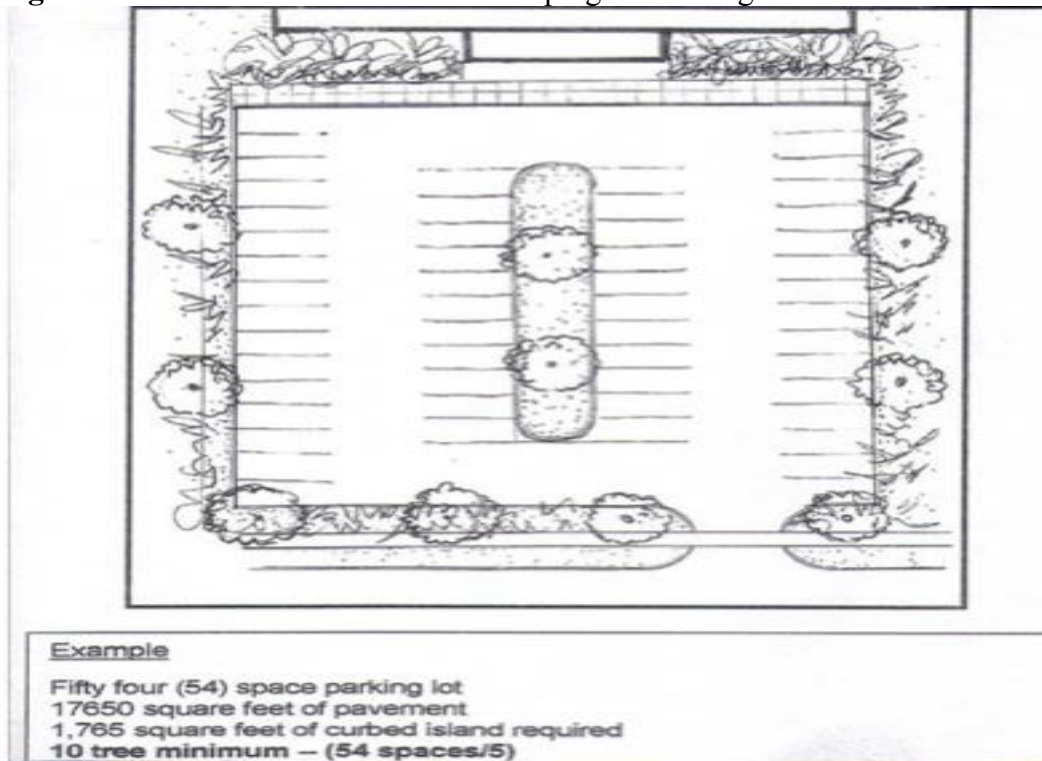


Illustration by Kathleen Ryan, ASLA

E. Approved Plant Materials. An emphasis shall be placed on selecting species native to Vermont and the Champlain Valley. Trees and plantings that are close to driveways, sidewalks and roads shall be salt tolerant. Generally, plants shall be from the most current tree species list recommended by the Vermont Urban Community and Forestry Program and those listed in the Village Land Development Code. The Planning Commission may refer to any or all of the following publications as resources:

1. Recommended Tree Species for Vermont Communities: A guide to Selecting and Purchasing Street, Park, and Landscape Trees, published by Urban and Community Forestry Program.
2. Planting Sustainable Landscapes- A Guide for Plan Reviewers, prepared by Department of Forests and Parks and the Vermont Chapter of the American Society of Landscape Architects- Section-111.
3. Street Tree Fact Sheets- Published by the Municipal Tree Restoration Program with support from the USDA Forest Service, Northeastern Area State and Private Forestry.

List of Suggested Example Species:

Low Shrubs

Leatherleaf (*Chamaedaphne calyculata*)
 Sweet Fern (*Comptonia peregrina*)
 Bush-honeysuckle (*Diervilla lonicera*)
 Crowberry (*Empetrum nigrum*)
 Checkerberry (*Gaultheria procumbens*)
 Common Juniper (*Juniperus communis*)
 Sheep Laurel (*Kalmia augustifolia*)
 Bush Cinquefoil (*Potentilla fruticosa*)
 Lowbush Blueberry (*Vaccinium angustifolium*)
 Cowberry (*Vaccinium vitis-idaea*)

Small Shrubs

Black Chokeberry (*Aronia melanocarpa*)
 Leatherwood (*Dirca palustris*)
 Fragrant Sumac (*Rhus aromatica*)
 Snowberry (*Symphoricarpos albus*)
 Mapleleaf Viburnum (*Viburnum acerifolium*)

Large Shrubs and Small Trees

Striped Maple (*Acer pennsylvanicum*)
 Mountain Maple (*Acer spicatum*)
 Downy Serviceberry (*Amelanchier arborea*)
 Apple Serviceberry (*Amelanchier x grandiflora*)
 Allegheny Serviceberry (*Amelanchier laevis*)
 American Hornbeam (*Carpinus caroliniana*)
 Pagoda Dogwood (*Cornus alternifolia*)
 Flowering Dogwood (*Cornus florida*)
 Witchhazel (*Hamamelis virginiana*)
 Chokecherry (*Prunus virginiana*)
 Shining Sumac (*Rhus copallina*)
 Smooth Sumac (*Rhus glabra*)

Medium Shrubs

Red Chokeberry (*Aronia arbutifolia*)
 Buttonbush (*Cephalanthus occidentalis*)
 Silky Dogwood (*Cornus amomum*)
 Gray Dogwood (*Cornus racemosa*)
 Redosier Dogwood (*Cornus sericea*)
 American Hazelnut (*Corylus americana*)
 Winterberry (*Ilex verticillata*)
 Spicebush (*Lindera benzoin*)
 Mtn. Holly (*Nemopanthus mucronatus*)
 American Elder (*Sambucus canadensis*)
 Red Elder (*Sambucus pubens*)
 Highbush Blueberry (*Vaccinium corymbosum*)
 Witherod Viburnum (*Viburnum cassinoides*)
 Arrowwood Viburnum (*Viburnum dentatum*)
 American Cranberrybush Viburnum -
 (*Viburnum trilobum*)

Medium and Large Deciduous Trees

Red Maple (*Acer rubrum*)
 Silver Maple (*Acer saccharinum*)
 Sugar Maple (*Acer saccharum*)
 Speckled Alder (*Alnus rugosa*)
 Yellow Birch (*Betula alleghaniensis*)
 Black Birch (*Betula lenta*)
 Paper Birch (*Betula papyrifera*)
 Gray Birch (*Betula populifolia*)
 Shagbark Hickory (*Carya ovata*)
 Hackberry (*Celtis occidentalis*)
 American Beech (*Fagus grandifolia*)
 Staghorn Sumac (*Rhus typhina*)

Pussy Willow (*Salix discolor*)
 Showy Mountainash (*Sorbus decora*)
 Nannyberry Viburnum (*Viburnum lentago*)
 Blackhaw Viburnum (*Viburnum prunifolium*)

Conifer Trees

Balsam Fir (*Abies balsamea*)
 Eastern Red Cedar (*Juniperus virginiana*)
 Eastern Larch (*Larix laricina*)
 White Spruce (*Picea glauca*)
 Black Spruce (*Picea mariana*)
 Red Pine (*Pinus resinosa*)
 Eastern White Pine (*Pinus strobus*)
 American Arborvitae (*Thuja occidentalis*)
 Canadian Hemlock (*Tsuga canadensis*)

Black Gum (*Nyssa sylvatica*)
 Ironwood (*Ostrya virginiana*)
 Sycamore (*Platanus occidentalis*)
 Quaking Aspen (*Populus tremuloides*)
 Black Cherry (*Prunus serotina*)
 White Oak (*Quercus alba*)
 Swamp White Oak (*Quercus bicolor*)
 Scarlet Oak (*Quercus coccinea*)
 Bur Oak (*Quercus macrocarpa*)
 Chinkapin Oak (*Quercus muehlenbergii*)
 Pin Oak (*Quercus palustris*)
 Red Oak (*Quercus rubra*)
 Black Oak (*Quercus velutina*)
 Sassafras (*Sassafras albidum*)
 American Linden (*Tilia americana*)
 American Elm (*Ulmus americana*)

F. Minimum Planting Specifications. All plantings are required to be healthy nursery-grown stock and maintained.

G. Performance Bond. The applicant shall provide a suitable performance bond or other form of security to guarantee the performance and completion of all planting required by this Section, which bond or security shall also guarantee all plantings for a period of two (2) years. The Commission may modify the planting requirements to more fully implement the purpose and intent of this section.

SECTION 720: LOT FRONTAGE

A. Lot Frontage. Within any District, a minimum frontage of sixty (60) feet is required at the street, unless specifically stated otherwise. The Commission may waive this requirement in unusual circumstances, including but not limited to small lots and preexisting, non-conforming lots.

B. Required Frontage. In accordance with Section 4406 of Vermont Municipal Planning and Development Act (24 VSA, Chapter 117), no development shall be permitted on any lot which does not have either frontage on a public road or public waters or, without approval of the Commission, access to such road or waters by a permanent easement or right-of-way at least twenty (20) feet in width.

SECTION 721: ACCESSORY APARTMENTS

A. Purpose. To allow the provision of small apartments within existing single family dwellings to improve the ability of households to provide housing.

B. Standards.

1. Thirty (30) percent of the existing residential floor space may be converted, added on to the principal structure or built in an accessory structure to accommodate an accessory apartment.

2. No more than one accessory apartment may be converted within or added to any existing residential dwelling on any single family lot.
3. The converted dwelling shall retain the appearance of a single family dwelling. Any alterations to the exterior of the single family residence must be specifically approved by the Commission.
4. An accessory apartment shall not be allowed in a residential garage, unless there is adequate separation between the residential unit and garage and is compliant with the Vermont Fire Prevention Code.
5. The parking area shall be appropriately landscaped or screened to retain the appearance of a single family dwelling.
6. The Commission may approve the conversion of an existing unattached structure which is located on the same lot prior to adoption of this Code, if the following conditions are met:
 - (a) Any accessory apartment proposed in an accessory structure that was built after the effective date of this code shall require conditional use approval.
 - (b) All other provisions of this Section are met.
 - (c) Additional driveways or parking areas shall not be constructed on the lot except adjacent to the existing driveway or parking area.
 - (d) If an existing unattached structure is utilized as an accessory apartment, the single family dwelling shall not be eligible for an additional accessory apartment.
7. The single family residence must be owner occupied. All permits shall be voided if there is occupancy by more than two individuals or if the single family residence is not owner occupied.

C. Permit Review. The zoning administrator may approve accessory apartments within or attached to an existing single family home provided it meets all the required standards including but not limited to setbacks, parking and is wholly within the existing footprint and/or envelope of the existing dwelling. The zoning administrator may defer any accessory apartment application to the Planning Commission for review and approval. Generally an application shall be reviewed for neighborhood compatibility, screening and landscaping, parking, and access. Furthermore, the Commission shall consider all issues within its jurisdiction raised by adjoining property owners prior to granting approval.

The Commission shall have the authority to place reasonable conditions on any applications, which in their sole view are necessary to meet the intent of this Code, the Village Plan and to protect the residential characteristics of the neighborhood.

SECTION 722: PROFESSIONAL OFFICE OVERLAY DISTRICT

- A. A Professional Office Development Overlay District is to allow for the development of office buildings within areas of existing offices, and as designated on the Future Land Use Map in the Village Comprehensive Plan.
- B. All proposed professional office developments shall require a hearing before the Commission. The Commission shall consider the following criteria and may establish conditions as deemed necessary to meet the purposes of this Section.
 1. Compatibility with surrounding office uses.

2. Hours of operation.
 3. The proposed use will not interfere with or alter the residential uses of adjoining properties.
 4. Permitted Uses. Specific uses shall be determined by the Commission upon review of an application and finding that the proposal meets all the criteria of this Section. However, retail and industrial uses shall not be allowed. Residential uses shall be allowed as a Conditional Use. The residential density shall not exceed ten (10) units per acre.
- C. The Commission may establish conditions as deemed necessary to mitigate impacts of a proposed professional office development.
- D. Site Plan. In addition to the Site Plan Standards specified in this Code, the Commission shall review the following:
1. Lighting shall not negatively impact adjoining residential properties, and the use of flood lighting is expressly prohibited.
 2. Parking areas shall be screened from view from adjoining residential properties.
 3. All structures shall be designed to be compatible in construction with adjoining structures.
 4. Proposed signs shall be specifically approved.

SECTION 723: PLANNED UNIT DEVELOPMENT (PUD)

The objective of the Planned Unit Development (PUD) is not simply to allow exceptions to otherwise applicable regulations. It is instead to encourage a higher level of design and amenity than it is possible to achieve under the usual land development requirements.

The Village may require modifications to the application of detailed zoning and subdivision standards as provided herein only where such special amenity is achieved to otherwise applicable regulations. In this way the Village may grant the developer a desirable flexibility and at the same time not only protect, but enhance the welfare of the residents and other users of a development as well as the rest of the community.

- A. Planned Unit Development. The Commission may review any subdivision under Section 503 as a Planned Unit Development under this Section. The Commission may approve a Planned Unit Development in the R-1 and R-2 Residential Zoning Districts.
1. Application Requirements. Submittal of a Planned Unit Development application shall be in conformance with the submittal standards of Section 511, Planned Developments.
 2. Density. A Planned Unit Development shall meet the density requirements of the Residential District in which it is located. The Commission may grant density bonuses not to exceed one-hundred (100) percent in the R-1 District and up to twenty-five (25) percent in the R-2 District of the gross density as permitted in the District. Bonuses may be earned by the following schedule and shall be requested by the applicant. The applicant shall provide sufficient information to justify all bonus requests. The Commission may, at its sole discretion, request additional information prior to approval of any bonus. Density bonuses are as follows:

- (a) Preservation of natural resources including scenic views, mature tree stands, unique vegetation or unique rock formations not to exceed five (5) percent.
- (b) Preservation of solar access not to exceed five (5) percent. Credit shall be given for the preservation of solar access to ten (10) homes, or ten (10) percent of the total development, whichever is greater.
- (c) Renewable Energy Generation one hundred (100) percent density bonus for projects that generate at least twenty-five (25) percent of the total project energy use through on-site renewable sources (e.g., solar photovoltaic, solar hot water, wind, geothermal, biomass, etc.). Energy use shall be based on professional estimates. The total bonus shall be equal to the percentage of the total project energy generated from on-site solar power generation. Credit may only be granted for preservation of solar access or solar power generation, not both.
- (d) Preservation and donation to the Village or non-profit organization of open space through the use of clustering, Zero-Lot Lines or other innovative techniques not to exceed five (5) percent.
- (e) Provision of recreation facilities which are available to all Village residents not to exceed five (5) percent.
- (f) Construction of bicycle paths which connect neighborhoods or in conformity to a Bicycle Plan as approved by the Commission not to exceed five (5) percent.
- (g) Innovative design which reduces long-term maintenance costs not to exceed five (5) percent.
- (h) Provision of affordable housing which is deeded to a land trust or non-profit organization or includes other mechanisms to guarantee the perpetual affordability of the units not to exceed twenty (20) percent. A minimum of ten (10) percent of the total number of units constructed shall be affordable to a family of four with eighty (80) percent of the current median family income (per Federal HUD Standards of Chittenden County).
- (i) Other considerations which in the opinion of the Commission provide important community services including the dedication of land for public purposes not to exceed five (5) percent.

B. Design Considerations. The Commission shall review an application for innovative land and building design techniques. The Commission may determine that the design is not innovative and that standard District requirements shall apply. The Commission may authorize the following modifications to requirements of the underlying Zoning District.

1. Reduced side yard setbacks when specific building footprints are approved.
2. Front yard setback reduction on any internal streets which do not provide a direct connection to adjoining public streets.
3. The use of Zero Lot Lines, clustering and other innovative techniques.
4. The incorporation of on-site solar panels to generate power for the project.
5. Amenities and Quality of Design. To be granted the flexibility permitted under these regulations, the PUD must demonstrate a level of design and amenity exceeding that typical of conventional development. Features that exhibit a strong level of design include, but are not limited to:
 - (a) Amount and quality of landscaping;
 - (b) Amount, quality, and interconnectedness of common space; and
 - (c) Varied building massing or other measure to reduce monotony in design.

At a minimum, up to fifteen (15) percent of the gross PRD or PUD area shall be developed with passive and active amenities. Examples of amenities include but are not limited to:

- (a) Jogging/exercise track;
- (b) Off-street bicycle paths;
- (c) Playgrounds;
- (d) Tennis court;
- (e) Athletic fields;
- (f) Wooded areas; and
- (g) Open fields that may be in active agricultural production.

The type of amenities required will vary with each individual project. For example, projects designed for seniors, ages fifty five (55) and above, will have different types of amenities than a project designed for young families.

C. Multifamily Dwellings. The Commission may approve the construction of multi-family dwellings not exceeding thirty (30) percent of the units permitted by the underlying Zoning Districts if the following criteria are met:

1. Each multi-family unit shall include a private yard of not less than seven hundred and fifty (750) square feet.
2. The multi-family structure shall be so designed and located on the exterior of the development to provide a buffer from adjoining streets and single family residences.
3. The number of dwelling units located in any single structure shall not exceed six (6).
4. Structural design shall be reviewed to determine compatibility with adjacent existing and proposed single family dwellings.
5. Density may be calculated based on the entire project area and density may be transferred within the project area including from undevelopable land to developable land although the Planning Commission may limit the transfer of undevelopable land to developable land based on maintaining the character of the neighborhood and the overall quality of the design and amenities.
6. General Standards. The Commission shall have the sole authority to determine that the intent of the Planned Residential Overlay District and the Village Comprehensive Plan are being met by a specific proposal. The Commission shall not approve any proposal which does not clearly meet the intent to provide unique design and land planning techniques. This District shall not be interpreted to allow bonuses, reduced lot sizes, multi-family bonus, or waivers unless there is clear and convincing evidence that the proposal is superior to standard subdivision design.

D. Findings Review Requirements. The Planning Commission shall make the following findings before approving a PUD zoning request:

1. Superior Design. The final plan represents a more creative approach to the unified planning of development and incorporates a higher standard of integrated design and amenity than could be achieved under otherwise applicable zoning district and subdivision regulations, and that solely on this basis modifications to the use and design standards established by these regulations are warranted.
2. Meets PUD Requirements. The final plan meets the requirements for Planned Unit Developments set forth in this Code and that no modifications to the use and design

standards otherwise applicable are allowed other than those permitted herein.

3. Consistent with General Plan. The final plan is consistent with the Village of Essex Junction Comprehensive Plan.

4. Circulation. The streets, sidewalks, pedestrian ways, bicycle paths, off-street parking and loading as appropriate to the planned uses are provided. That they are adequate in location, size, capacity and design to ensure safe and efficient circulation of automobiles, trucks, bicycles, pedestrians, fire trucks, and garbage trucks without blocking traffic, creating unnecessary through traffic within the preliminary plan, or unduly interfering with the safety or capacity of adjacent thoroughfares.

5. Open Spaces and Landscaping. The quality and quantity of common open spaces and landscaping provided are consistent with the higher standards of design and amenity required in a Planned Unit Development. The size, shape, and location of a substantial portion of total common open space provided in residential areas render it useable for recreation purposes.

6. Phasing. Each proposed development phase of the PUD may, together with any phases that preceded it, exist as an independent unit that meets all the foregoing criteria and all other applicable regulations herein even if no subsequent phase should ever be completed.

SECTION 724: RAISING, KEEPING, OR HARBORING LIVESTOCK

The raising, keeping, or harboring of livestock, wild animals or other domesticated farm animals for personal use or commercial purposes shall be prohibited in all Zoning Districts, except for the PA and PE Districts. The raising, keeping or harboring of livestock, wild animals or other domesticated farm animals shall require a minimum lot size of ten acres. Refer to the Municipal Code for exceptions.

SECTION 725: ABANDONMENT OF STRUCTURES

Within six (6) months after work on an excavation for a building has begun or within six (6) months after a permanent or temporary building or structure has been destroyed, demolished or abandoned, and determined to be in an unsafe condition, all structural materials shall be removed from the site, and excavation thus remaining shall be covered over or filled to the normal grade by the owner.

CHAPTER 8: NONCONFORMITIES

SECTION 801: NON-CONFORMING USES. Any use of land or buildings legally existing on the effective date of this Code which has become non-conforming as a result of this Code shall be considered as a Non-Conforming Use and may be maintained subject to the provision of this Section.

A. Expansion of Non-Conforming Uses. Except as may be provided in this Section, a non-conforming use shall not be expanded or extended to occupy more land or floor area than it occupied on the effective date of this Code, and shall not be expanded to displace a conforming use.

B. Change of Use. A non-conforming use may be changed to a Permitted Use or Conditional Use for the district in which it is located. A non-conforming use shall not be changed to another non-conforming use.

C. Discontinuation of a Non-Conforming Use. If a non-conforming use is discontinued or abandoned for a period of one hundred eighty (180) consecutive days, including any period of discontinuation prior to the effective date of this Code, that use shall not be renewed or re-established, and any subsequent use of the lot or structure shall be in conformance with all provisions of this Code.

1. If a non-conforming use is discontinued because the structure in which it is located is destroyed or damaged by fire, flood, windstorm or similar abnormal event, that use may be re-established in the structure when and if it is rebuilt, provided that the structure complies with all provisions of this Code and that the non-complying use occupies no more floor area than it did prior to the event.

SECTION 802: NON-COMPLYING STRUCTURES. Any structure, existing on the effective date of this Code, which does not conform to the dimensional requirements of this Code shall be considered as a non-complying structure. Such structure may continue to be occupied, subject to the following:

A. Disclaimer. Nothing in this Section shall be construed as permitting the use of a structure declared unsafe or to be a fire hazard by any appropriate governmental authority.

B. Maintenance, Repair and Expansion.

1. Ordinary repairs and maintenance may be made to a non-complying structure, provided that the structure is not made more non-conforming. Staff shall determine what constitutes "ordinary repairs and maintenance". Appeals of such determinations shall be in accordance with Section 1701.

2. A non-complying structure may be enlarged or expanded provided that the following conditions are met:

(a) The enlargement or expansion, itself, conforms to all provisions of this Code except setbacks.

(b) The structure, as enlarged, does not diminish any required yard or setback areas except a setback line encroachment equal to the existing building line.

(c) The expansion does not exceed any maximum density, lot coverage,

intensity or height limitations.

C. Reconstruction.

1. If a non-complying structure is destroyed or damaged by fire, flood, windstorm or similar abnormal event, and the cost of restoring the structure to its condition immediately prior to the event exceeds fifty (50) percent of the value of the structure immediately prior to the event, the structure may be restored or reconstructed, upon Conditional Use and Site Plan approval (when site plan approval is applicable), provided that the following conditions are met:
 - (a) The structure, as restored or reconstructed shall not be more non-complying than the original structure prior to the event.
 - (b) Except as specified in Section 801.C.1 of this Code, the uses of the restored or reconstructed structure shall conform to all provisions of this Code.
2. Non-conforming structures on properties with one single family dwelling may be rebuilt as long as the new structure is not more non-conforming than the existing structure. However, if staff determines the structure could reasonably be rebuilt in conformance with the existing regulations the applicant will be required to comply with the existing regulations. Appeal of staff decisions may be made in accordance with Section 1701.

SECTION 803: EXISTING SMALL LOTS. Any lot in individual and separate and non-affiliated ownership from surrounding properties in existence on the effective date of this Code may be developed for the purposes permitted in the District in which it is located, even though not conforming to minimum lot size requirements, if such lot is not less than one-eighth acre in area and has a minimum width or depth dimension of forty (40) feet. This provision shall not exempt development on such lots from other provisions of this Code.

SECTION 804: NON-CONFORMING SIGNS

1. Subject to the remaining restrictions of this Section, non-conforming signs that were otherwise lawful on the effective date of this Code may be continued until they are required to be removed under Section 714 of this Code.
2. No person may engage in any activity that causes an increase in the extent of nonconformity of a nonconforming sign.
3. A non-conforming sign may not be moved, replaced, enlarged, redesigned or altered in any way, (except repainting), without bringing the sign into complete conformity with this Code. Illumination shall not be added to any nonconforming sign.
4. If a non-conforming sign is destroyed by fire or other natural causes, it may not thereafter be repaired, replaced or reconstructed, except in conformity with all the provisions of this Code, and the remnants of the former sign structure shall be removed. A non-conforming sign shall be considered "destroyed" if damaged to an extent that the cost of repairing the sign to its former stature, or replacing it with an equivalent sign, would exceed thirty-five (35) percent of the value of the sign prior to the destruction.
5. The message of a non-conforming sign may be changed if it does not create any new non-conformities.

SECTION 805: REMOVAL OF NON-CONFORMING SIGNS

1. If a non-conforming sign advertises a business, service, commodity, accommodation, attraction, or activity that is no longer operating or being offered or

conducted on the premises, that sign shall be considered abandoned and shall be removed within thirty (30) days after such abandonment.

2. The following types of non-conforming signs shall be altered to comply with the provisions of this article or removed within ninety (90) days after the effective date of this Code:

(a) Portable signs and temporary signs.

(b) Signs that are in violation of Section 714.N.

3. If the message portion of a sign is removed, leaving only the supporting "shell" of a sign (or the supporting braces, anchors, or similar components) the owner of record shall, within thirty (30) days of the removal of the message portion of the sign, either replace the entire message portion of the sign or remove the remaining components of the sign. This subsection shall not be construed to alter the effect of Section 805.1, above which restricts the replacement of a nonconforming sign. Nor shall this subsection be construed to prevent the changing of the message of a sign.

CHAPTER 9: SUBDIVISIONS

SECTION 901: PURPOSE. To provide uniform standards for the division of land within the Village and to minimize public costs for the maintenance and repair of facilities installed and constructed as a requirement of this Code.

SECTION 902: REQUIRED PERMITS. Nothing in this Chapter shall waive or modify the requirement to obtain other permits as specified in this Code.

SECTION 903: APPLICABILITY. Any proposal or development, which includes the subdivision or division of land for sale or construction purposes, now or in the future, shall meet the requirements of this Chapter.

SECTION 904: GENERAL APPLICATION REQUIREMENT. All proposals for the subdivision of any property shall meet the application requirements as specified in Section 503 of this Code.

SECTION 905: GENERAL STANDARDS

A. **Conformity with Other Regulations.** No land shall be subdivided except in conformity with the requirements of this Code.

B. **Site Suitability.** No subdivision shall be approved on any land, which is unsuitable for development due to flood hazard, poor drainage, unstable soils, rock formations, slopes, or other conditions, which may be a hazard to the public health, safety or welfare unless sufficient measures are proposed to mitigate the identified risks.

C. **Public Facilities.** All subdivision proposals shall demonstrate the adequacy of all public facilities and services including streets, drainage, stormwater treatment, water supply, sanitation facilities, lighting, emergency access, recreation facilities and similar services or facilities. All proposals shall include an analysis of any potential adverse impact of these services or facilities on adjacent land uses.

D. **Protection of Significant Features.** In all subdivisions, to the maximum extent possible, efforts shall be made to preserve historic sites, scenic views, forested lands, and unique natural physical characteristics. The Commission shall consider all alternatives available to preserve these significant features, including the donation of lands for public purposes.

E. **Subdivision Name.** Every subdivision shall be given a unique name, which distinguishes it from other existing subdivisions within the Village. Every effort shall be made not to duplicate names of subdivisions in adjoining communities.

F. **Lot requirements**

1. **Arrangement.** Lot area, width, depth, orientation, and setbacks shall be arranged to minimize impact on adjoining properties and public streets. Double Frontage Lots shall be avoided whenever possible. Frontage on all corner lots shall be increased by a minimum of fifteen (15) percent.

2. Shape. Side lot lines shall be as close as practical to right angles to street lines or radial to curving street lines. Lots shall be no more than twice as deep as the width of the lot.

3. Access. Each lot shall have direct access to a public street. The Commission may approve a private drive, which serves not more than two (2) lots if both lots have the required sixty (60) feet of frontage on a public street for new subdivisions. A private drive can also serve an existing lot without sixty (60) feet of frontage. Secondary access shall be provided whenever possible. The Commission may require secondary access for any subdivision of ten (10) or more lots or units. The commission may require more than two (2) access points into subdivisions over ten (10) lots or units based on the ability to connect existing or planned streets. The commission may require a right-of-way(s) accommodate future street connections to adjacent properties in any subdivision.

G. Boundary Adjustments.

1. No additional lots shall be created.
2. No existing lot shall be made non-conforming.
3. No currently non-conforming lot shall be made more non-conforming.
4. No existing structure shall be made non-complying.
5. No currently non-complying structure shall be made more non-complying.

SECTION 906: STREETS

A. General Standards. Streets approved as a part of any subdivision shall be constructed as specified in Appendix A.

B. Arrangement

1. All streets shall be integrated with the existing system of streets.
2. All streets shall be extended to the boundary of the proposed subdivision if the Commission determines a future need for street extensions to serve adjoining property.
3. Street design shall include measures to discourage through traffic in Residential Districts.
4. Street design shall include measures to encourage improved connectivity in the Village Center District and strike an appropriate balance between all modes of transit.
5. Access for emergency vehicles shall be considered in the layout of any street.

C. Design

1. Streets shall be designed to the extent possible to intersect at right angles. The approach to the intersection should be approximately at right angles for a distance of fifty (50) feet.
2. No intersection shall have more than four (4) approaches. Whenever possible, "T" intersections shall be used in all residential subdivisions.
3. New intersections on one side of the street shall be located immediately across the street from an existing intersection whenever possible. Street jogs with centerline offsets of less than one hundred twenty five (125) feet are prohibited, unless the Commission finds that no reasonable alternative exists.
4. Curb radii shall be adequate for the design speed of any street. All streets shall have curbs on both sides unless specifically waived by the Commission.

5. All right-of-way and pavement widths shall be as specified in the table below. No curbing shall be included in the calculation of pavement widths.
6. The centerline grade of any street shall not exceed eight (8) percent.
7. New streets should be designed to follow the natural topography of the site to the extent possible. The applicant shall provide plan and profile drawings and critical cross-sections of grading plans.

RIGHT OF WAY WIDTHS	
Major Arterials	60 feet
Local residential street	50 feet
Cul de sac Turn-around Diameter	50 feet 100 feet
Private Street Easements	40 feet
Private Driveways	20 feet

PAVEMENT WIDTHS	
Major Arterials	32 feet
Local residential streets	28 feet
Cul de sac Turn-around Diameter	28 feet 75 feet
Private streets	20 feet
Private Driveways	12 feet

D. Dead-end Streets. Dead-end streets may be allowed only on a temporary basis until the street may be extended to adjacent property. The Commission may require a temporary turn-around on any dead-end street. If the dead-end street extends to more than six hundred (600) feet, from the closest intersection, a temporary turnaround shall be required. Dead-end streets shall be limited to one thousand (1,000) feet. When a dead-end street is connected the temporary turn-around shall be removed, returned to grass and deeded to the adjacent property owners at the expense of the developer making the connection. Where undeveloped land lies beyond the developed portion of the subdivision, the commission shall require that no development occur at the terminus of the dead-end street and the right-of-way improvements be extended to the property line. The Planning Commission has the right to condition or restrict access to any thru street to minimize any negative impact caused by traffic to a specific use where a special and vulnerable population is present with specific needs that would be at risk with thru traffic. Restricted access shall not negate the ability of the commission to require more than one access point for subdivisions of ten (10) or more lots or units.

Waiver. The commission may waive the requirement that a dead-end street be temporary if, in the opinion of the Planning Commission, all of the following standards are met:

1. The street connection is not required to provide adequate emergency access to the proposed development, future development on adjacent parcels or development along the dead-end street.
2. The street connection is not necessary to provide a through connection.
3. The street connection is not required to provide a secondary access point to the proposed subdivision, future development on adjacent parcels, or for the properties now served by the dead-end street, in accordance with Section 905.F.3.
4. The street connection is not required to provide convenient vehicular access to the proposed subdivision or future development on adjacent parcels.
5. The street connection is not necessary to accommodate future development on adjacent parcels.

E. Dedications. Unless specifically approved otherwise all right-of-ways and streets shall be dedicated to the Village. No private streets or drives shall be accepted by the Village until the right-of-way, pavement and construction standards of the Village are met in their entirety. All proposed subdivisions to be served by private infrastructure shall include a proposed homeowners association agreement with the final application. The association agreements shall be reviewed and approved by the Village Attorney and Village Engineer prior to final plan approval by the Planning Commission.

F. Street Utilities Easements. Upon specific approval of the Commission, the right-of-way width may be reduced by five (5) feet on either or both sides for a total of ten (10) feet provided that a permanent easement is granted for public use.

G. Right-of-Way Widths. For the purpose of determining right-of-way and pavement widths, the following standards shall apply.

1. Major arterial shall be any street with one or more of the following characteristics:
 - (a) The street provides a through connection to adjoining developments.
 - (b) The street provides future connections to undeveloped land.
 - (c) The street connects two state highways, or connects two existing arterials.
 - (d) Traffic projections demonstrate a necessity at a future date to construct one or more additional lanes.
 - (e) Any subdivision road, which facilitates through traffic.
 - (f) The street is located in a commercial or non-residential district and the Commission determines a need for the right-of-way for vehicle, pedestrian and bikeway purposes, or for bus transportation purposes.
2. Local residential street shall be any street not designated major arterial, private street or private driveway.
3. Private streets shall be as defined in Section 709 of this Code.
4. Private drives shall serve no more than two (2) lots if both lots have the required sixty (60) feet of frontage on a public street.

H. Curb Cuts. Curb cuts shall be consistent with the provisions of Section 509 and 705 of this Code.

I. Street Surface. Streets shall be hard surfaced. The Planning Commission may waive this requirement for existing private streets that are not hard surfaced and for which the

total proposed number of units does not exceed five. The apron and any portion in the public right-of-way must be paved twenty (20) feet beyond the edge of the public right-of-way.

SECTION 907: EASEMENTS. Drainage and utility easements shall be specified on the plat. Easements shall be based upon standard engineering practices and a twenty-five (25) year design storm. A standard eight (8) foot easement shall be placed on all side lot lines and rear lot lines for future use for drainage and utility purposes.

SECTION 908: RECREATIONAL OPEN SPACE. Open space provides ecological, health and social benefits to new and existing residents and must be incorporated into new developments if required by the Planning Commission based on the standards contained herein. Within any subdivision, site plan, PUD plan the Commission may require the dedication of not more than fifteen (15) percent of the land for open space and recreation purposes. The Commission may require that all or part of the land be developable. The designation of all open space up to and exceeding the fifteen (15) percent that may be required by the Planning Commission shall not be deducted from the total project land area for density purposes if the project is reviewed as a PUD and meets the intent of the Planned Development Standards as listed in Section 511. Under this scenario, density will be calculated on an overall project basis with preserved open space and developed land both counting towards the total land area. Developed areas may then be denser than the underlying zoning district allows in accordance with Planning Commission approval and the planned development standards. The dedicated open space must be preserved indefinitely through either donation of the land to the village or a conservation easement guaranteeing public access. If development is to occur the preservation of open space for agricultural or recreation purposes are important to the long-term environmental sustainability and quality of life in the district. Projects are reviewed on an overall project density basis to allow for the preservation of open space while achieving full build out. Open space networks and preservation of important natural resources should be integrated with new development in such a way as to allow for continued agricultural uses or emerging open space opportunities with responsible development.

A. Open Space Designation. Land to be preserved shall be chosen for its physical and ecological features including significant ecological functions, access, stormwater management and open space function. Open spaces may provide for a variety of functions including but not limited to agricultural, active recreation, wildlife habitat and natural areas based on the following criteria:

1. Open space uses and functions to meet the needs of existing and future populations.
2. Physical and ecological functions of the land.
3. Agreements with other preservation or recreational organizations for the long-term management of the property.
4. The relationship between the open space and existing and proposed development.
5. Funding and organization for maintenance of the open space.

SECTION 909: PEDESTRIAN AND BIKEWAY STANDARDS

A. General Standards

1. Concrete Sidewalks shall be constructed along both sides of major arterials and along one side of all other streets. The Commission may waive this requirement in favor of a specific alternative, which provides equal or superior pedestrian access.
 - (a) Sidewalks shall be constructed as specified in Appendix A.
 - (b) Sidewalks shall be a minimum five (5) feet wide. The Commission may require sidewalks along major arterials to be greater than five (5) feet wide if it determines that heavy usage or safety factors justify the added width.
2. The Commission may require other walkways to connect with pedestrian origins or destinations, or to connect with walkways planned or existing on adjacent properties.
 - (a) Walkways may be surfaced in concrete, bituminous paving or gravel as determined by the level of usage anticipated.
 - (b) Walkways shall be a minimum five (5) feet wide and constructed to the specifications in Appendix A for the designated material.
3. All subdivisions shall be designed to include bicycle access, unless this requirement is specifically waived by the Commission. The construction of a hard-surfaced bicycle path along one side of a street shall eliminate the need to construct a sidewalk along that side of the street, provided a sidewalk is constructed along the other side of the street.
 - (a) Bicycle paths shall be ten (10) feet wide.
 - (b) Bicycle paths shall be surfaced with bituminous paving which meets the specifications for such material in Appendix A.

SECTION 910: INFRASTRUCTURE IMPROVEMENTS. All infrastructure improvements shall meet the standards of Appendix A: Public Works Specifications unless an alternate is specifically reviewed and approved by the Village Engineer and the Commission. All construction and installation shall be reviewed by the Village. The Village shall have the authority to require on-site changes as deemed necessary. Infrastructure may be required to be over-sized to serve future development, as determined by the Commission.

SECTION 911: MONUMENTS AND LOT CORNER MARKERS. Permanent right-of-way monuments shall be set at all street intersections and at all angles and curves or other critical points in street lines. Each monument shall be a precast concrete post, four (4) inches by four (4) inches and forty-eight (48) inches long. The top shall have a center mark, which shall be the point of reference. The monuments shall be set in place after all other street improvements are completed. Corner markers (i.e. iron rods) shall be set at all corners and angle points of all lots, plots or parcels, and shall be located in the ground below finish grade level.

SECTION 912: STREET LIGHTS. Streetlights shall be located at each intersection and at approximately one hundred fifty (150) foot intervals between intersections. Streetlights shall be located at the corner to provide light at the intersection, where possible. Streetlights shall be provided at major curves and at the ends of cul-de-sacs.

1. Street light poles and fixtures shall be as approved by the Commission, designed to be harmonious with their surroundings.
2. Street lighting plans shall be approved by the Village.

SECTION 913: UTILITY LINES. All services for electricity, cable television, telephone, outdoor lighting, and other utilities shall be located underground. The applicant shall work with

utilities to ensure suitable locations for underground installations and necessary above-ground equipment, both for the proposed subdivision and areas adjacent to the subdivision. Above-ground equipment shall not be located within the visibility triangles and shall be hidden from view in the public right-of-way.

SECTION 914: INSTALLATION/GUARANTEES. The applicant shall provide a guarantee for all improvements.

A. **Performance Bond.** Prior to starting land development or obtaining a zoning permit, the applicant shall furnish the Village with a performance bond with appropriate surety or security (as approved by the Village Attorney) in an amount to cover the full costs of all new streets and other required public improvements as determined by the Village Engineer for a period of two (2) years after acceptance by the Village Trustees. Such bond shall include a provision that the principal of the bond comply with all terms of the final plat approval and shall include, but not be limited to, the performance of all required public improvements. Such bonds shall provide for, and secure to the public, the completion of all required public improvements and the maintenance thereof for a period of two (2) years after the Village Trustees accept the public streets and other required public improvements.

B. **Acceptance of Streets and Open Space.** The approval of a Final Plat, or filing of a Final Plat, shall not constitute acceptance of any street, park or other open space shown on such plan. Acceptance shall be by resolution of the Trustees.

SECTION 915: AS BUILT PLANS. One (1) set of mylars and two (2) paper copies of plans showing as built conditions of streets and other infrastructure improvements shall be submitted prior to final inspections and public acceptance of said improvements.

SECTION 916: OFF-SITE IMPROVEMENTS. The Commission may require, upon recommendation of the Village Engineer, the construction of off-site improvements. Said improvements may include oversize piping, drainage improvements, intersection improvements, traffic control improvements or other improvements necessitated by the proposed development. Arrangements may be made by the applicant to obtain reimbursement from future developments, which utilize the off-site improvements. The Village may financially participate in off-site improvements, which improve existing deficiencies.

SECTION 917: WAIVERS/EXCEPTIONS. The Commission may waive or modify the provisions of this Chapter as specified below. Waivers or modifications shall be requested in writing and must be specifically approved by the Commission.

- A. **Standards.** No waiver or modification may be granted unless:
1. The subdivision is consistent with the intent and purpose of all provisions of the Plan and this Code.
 2. The waiver or modification would have no significant adverse impact on the public interest or on adjacent property.
 3. A superior alternative is proposed which meets all the requirements of this Code.
 4. The waiver or modification is necessary to protect or enhance significant existing natural or cultural features such as historic sites, scenic areas, or major tree groupings.

5. The strict application of the specific requirement would be technically impractical in terms of engineering, design and construction practices, due to specific characteristics of the property, which are unique and are not generally existent on other property. In no instance shall this be interpreted to allow the creation of non-conforming lots.

CHAPTER 10: ENFORCEMENT**SECTION 1001: VIOLATIONS**

A. It shall be a violation of this Code for any person to commence any activity for which an approval or permit is required without first obtaining such permit or approval. It shall also be a violation of this Code for any person to fail to comply with all requirements and conditions of any approval or permit granted.

B. The Administrative Officer shall issue a written "Notice of Violation" to any person believed to be in violation of this Code. Such Notice of Violation shall:

1. Describe the activity, which violates this Code;
2. Identify the provisions of this Code, which have been violated;
3. State the specific action required to cure the violation;
4. State that if the violation is not cured within seven (7) days of the Notice of Violation, the Village may institute court proceedings to obtain a court order directing compliance with the Code and fines shall be awarded as established by state laws; and
5. State that the Notice of Violation may be appealed to the Board of Adjustment in accordance with the procedures of Section 1702 of the Code.

C. Upon failure of any person to cure a violation after receipt of a Notice of Violation, the Administrative Officer shall institute an appropriate court action on behalf of the Village.

SECTION 1002: ENFORCEMENT THROUGH THE JUDICIAL BUREAU

- A. As an alternative to the procedure for enforcing violations of this code and provided for in 24 V.S.A. § 1974a (d) the administrative officer may enforce zoning violations through the Judicial Bureau against the civil offense of being in violation of the standards of this ordinance. (Copy of "Ordinance Enforcement in Judicial Bureau, a Comprehensive Guide" is located in the Village Offices or at VT League of Cities and Towns website - <http://www.vlct.org>).
- B. Fines for each offense shall be one hundred (100) U.S. dollars. Each day an offense occurs constitute a separate offense.

CHAPTER 11: SEWER REGULATIONS

SECTION 1101: SEWER USE RULES AND REGULATIONS

A. Building Sewers and Connections. No unauthorized person shall uncover, make any connections with or opening into, use, alter, or disturb any public sewer or appurtenance thereof without first obtaining a written permit from the Village. Any persons proposing a new discharge into the system, or a substantial change in the volume or character of pollutants that are discharged shall notify the Village at least forty-five (45) days prior to the proposed change or connection.

There shall be three (3) classes of building sewer permits:

1. For Residential service;
2. For commercial service; and
3. For service to establishments producing Industrial Wastes.

In all cases, the owner or agent shall make application to the Village. The application shall be supplemented by plans, specifications, or other information pertinent to the application.

All expenses incidental to the installation, maintenance and connection of the building sewer shall be borne by the owner. The owner shall indemnify the Village from any loss or damage that may directly or indirectly be caused by the installation of the building sewer.

A separate and independent building sewer shall be provided for all buildings; However, if one building is at the rear of another on an interior lot the sewer may be extended if the following conditions are met:

1. No private sewer is available; and
2. A private sewer can not be constructed to the rear building through an adjoining alley, court, yard, or driveway.

Old building sewers may be used in connection with new buildings if they meet all requirements of this Chapter after examination and test by the Village.

The size, slope, alignment, materials of construction, and the methods to be used in excavating, laying pipe, jointing, testing, and backfilling the trench, shall all conform to the requirements of the building and plumbing code or other applicable rules and regulations of the Village. In the absence of code provisions, the materials and procedures set forth in appropriate specifications of the A.S.T.M. and W.P.C.F. Manual of Practice No. 9 shall be followed. All such connections shall be made gas-tight and water-tight. Any deviation from the prescribed procedures and materials must be approved by the Village Engineer before installation.

If possible, the building sewer shall enter the building at an elevation below the basement floor. If the building drain is too low to permit gravity flow, sanitary sewage flow shall be lifted by an approved means and discharged to the building sewer.

No person shall connect roof downspouts, exterior foundation drains, area way drains, other sources of surface runoff, open floor drains, or ground water to a building sewer or building drain which directly or indirectly connects to a public sanitary sewer.

All connections to the public sewer shall conform to the requirements of the building and plumbing code or other applicable rules and regulations of the Village or the procedures set forth in appropriate specifications of the A.S.T.M. and W.P.C.F. Manual of Practice No. 9. All such connections shall be made gas-tight and water-tight. Any deviation from the prescribed procedures and materials must be approved by the Village Engineer before installation.

The applicant for the building sewer permit shall notify the Village when the building sewer is ready for inspection and connection to the public sewer. The connection shall be made under the supervision of the Village Engineer or its representative.

Excavations for building sewer installations shall be guarded with barricades and lights to minimize safety hazard. Streets, sidewalks, and other public property disturbed in the course of the work shall be restored in a manner satisfactory to the Village Engineer.

B. Use of Sewers. No person shall discharge or cause to be discharged any storm water, surface water, ground water, roof runoff, subsurface drainage, floor drain, uncontaminated cooling water, or unpolluted industrial process water to any sanitary sewer.

Storm water and other unpolluted drainage shall be discharged to such sewers, which are specifically designated as combined sewers or storm sewers, or to a natural outlet approved by the Village Engineer. Industrial cooling water or unpolluted process waters may be discharged, on approval of the Village Engineer, to a storm sewer, combined sewer, or natural outlet.

No person shall discharge or cause to be discharged any of the following described waters or wastes to any public sewers:

1. Any gasoline, benzene, naphtha, fuel oil, dry cleaning fluid, or other flammable or explosive liquid, solid, or gas.
2. Any waters or wastes containing toxic or poisonous solids, liquids, or gases in sufficient quantity, either singly or by interaction with other wastes, to injure or interfere with any sewage treatment process, constitute a hazard to humans or animals, create a public nuisance, or create any hazard in the receiving waters of the sewage treatment plant.
3. Any waters or wastes having a pH lower than five (5.0), nor greater than nine and one half (9.5), or having corrosive property capable of causing damage or hazard to structures, equipment, and personnel.
4. Solid or viscous substances in quantities or sizes capable of obstructing sewer flow or interfering with the operation of the treatment plant. Substances include, but are not limited to ashes, cinders, sand, mud, straw, shavings, metal, glass, rags, feathers, tar, plastics, wood, unground garbage, whole blood, paunch manure, hair and fleshings, entrails, and paper products, either whole or ground by garbage grinders.

No person shall discharge or cause to be discharged the following described substances, materials, waters, or wastes, if in the opinion of the Village Engineer such wastes can harm the sewer, sewage treatment process, or equipment, adversely effect the receiving stream, or endanger life, limb, public property, or constitute a nuisance. Discharge to drain of an otherwise regulated material through an unapproved pretreatment unit is specifically prohibited. In determining the acceptability of these wastes, the Village Engineer will consider such factors as

the quantities of subject wastes in relation to sewer flows and velocities, sewer construction materials, the sewage treatment process, sewage treatment plant capacity, ability to treat wastes in the sewage treatment plant, and other relevant factors. The substances prohibited are:

1. Any liquid or vapor having a temperature higher than one hundred fifty (150) degrees Fahrenheit (sixty five (65) degrees Celsius).
2. Any water or waste containing fats, wax, grease, or oils, whether emulsified or not, in excess of one hundred (100) mg/l or containing substances which may solidify or become viscous at temperatures between thirty-two (32) and one hundred fifty (150) degrees Fahrenheit (zero (0) and sixty-five (65) degrees Celsius).
3. Any garbage that has not been properly shredded. The installation and operation of any garbage grinder equipped with a motor of three-fourths (3/4) horsepower (0.76 hp metric) or greater shall be subject to the review and approval of Staff.
4. Any waters or wastes containing strong acid iron pickling wastes, or concentrated plating solutions whether neutralized or not.
5. Any water or wastes containing iron, cadmium, lead, mercury, selenium, chromium, copper, zinc, and similar objectionable or toxic substances; or wastes exerting an excessive chlorine requirement, to such a degree that any such material received in the composite sewage at the sewage treatment works exceeds the limits established by the Village Engineer for such materials or is proven to provide for significant degradation of the byproduct sludge from the treatment process.
6. Any waters or wastes containing phenols or other taste or odor producing substances, in such concentrations exceeding limits which may be established by the Village as necessary, after treatment of the composite sewage to meet the requirements of the State, Federal, or other public agencies or jurisdiction for such discharge to the receiving waters.
7. Any radioactive wastes or isotopes of such half-life or concentration as may exceed limits established by the Village Engineer in compliance with applicable State or Federal regulations.
8. Any waters or wastes having a pH in excess of nine and one half (9.5).
9. Materials, which exert or cause:
 - (a) Unusual concentrations or inert suspended solids (such as, but not limited to, Fullers earth, lime slurries, and lime residues) or of dissolved solids (such as but not limited to sodium chloride and sodium sulfate).
 - (b) Excessive discoloration (such as, but no limited to, dye wastes and vegetable tanning solutions).
 - (c) Unusual BOD, chemical oxygen demand, or chlorine requirements in such quantities as to constitute a significant load on the sewage treatment works, may cause the affluent limitations of the discharge permit to be exceeded.
 - (d) Unusual volume of flow or concentration of wastes constituting "slugs" as defined herein.
10. Water or wastes containing substances which are not amenable to treatment or reduction by the sewage treatment processes employed, or which cannot meet the regulations of agencies with authority over discharge to the receiving waters.

If any waters or wastes are discharged, or proposed for discharge to the public sewers, which contain the substances or characteristics enumerated in Section B of this Chapter,

and which in the judgment of the Village Engineer, may have a deleterious effect upon the sewage works, processes, equipment, sludge quality, or receiving waters, or which may create a hazard to life or constitute a public nuisance, the Village Engineer may:

- (a) Reject the wastes,
- (b) Require pretreatment to an acceptable condition for discharge to the public sewers,
- (c) Require control over the quantities and rates of discharge.

If the Village Engineer permits the pretreatment or equalization of waste flows, the design and installation of plants and equipment shall be reviewed and approved by the Village Engineer, subject to the requirements of applicable codes, ordinances, laws, and the municipal discharge permit. Further, such pretreatment installations must be consistent with the requirements of any state pretreatment permit issued.

Grease, oil, and sand interceptors shall be provided if, in the opinion of the Village Engineer, they are necessary to properly handle liquid wastes with excessive amounts of grease, flammable wastes, sand, or other harmful ingredients; Interceptors shall not be required for private living quarters or dwelling units. All interceptors shall be of a type and capacity approved by the Village Engineer, and shall be located as to be readily and easily accessible for cleaning and inspection. Installation of an interceptor does not infer an obligation by the Village Engineer to accept segregated material for further treatment or disposal.

If preliminary treatment or flow-equalizing facilities are provided for any waters or wastes, they shall be maintained in satisfactory and effective operation at the owners expense.

If required by the Village Engineer, the owner of property served by a building sewer, which carries industrial wastes, shall install a control manhole together with meters and appurtenances as necessary to facilitate observation, sampling, and measurement of wastes. The manhole shall be located and constructed in accordance with plans approved by the Village Engineer. The manhole shall be installed at the owners expense, and shall be maintained to be safe and accessible at all times.

All industries discharging into a public sewer shall monitor their discharges as reasonably required by the Village Engineer. Participating industry shall be responsible for reasonable expenses incurred by the Village Engineer for unusual sampling by the Village Engineer in determining conformance with these sewer regulations. Such instances can include, but shall not be limited to, compliance monitoring, duplicate analysis check samples, or random sampling for compliance. Where industrial pretreatment permits are issued by the State of Vermont, monitoring records must also be submitted to the Secretary in accord with such permit. Records of any other monitoring shall be made available upon request by Staff to the Secretary or agency with jurisdiction over discharges to the receiving waters.

All measurements, tests, and analyses of the characteristics of waters and wastes shall be determined in accordance with the latest edition of "Standard Methods for the

Examination of Water and Wastewater" published by the American Public Health Association, and shall be determined at the control manhole provided, or upon samples taken at said control manhole. If no special manhole has been required, the control manhole shall be the nearest downstream manhole from the point at which the building sewer is connected. Sampling shall be carried out by customarily accepted methods to reflect the effect of constituents upon the sewage works and to determine the existence of hazards to life, limb, and property. (The particular analyses involved will determine whether a twenty-four (24) hour composite of all outfalls of a premise is appropriate, or whether a grab sample or samples should be taken). Normally, but not always, BOD and suspended solids analyses are obtained from twenty-four (24) hour composites of all outfalls whereas pH's are determined from periodic grab samples.

Any industry in violation of the provisions of this Chapter may have its disposal authorization terminated.

Nothing in this Chapter shall be construed to prevent a special agreement or arrangement between the Village, other cities or towns and any industrial concern whereby an industrial waste of unusual strength or character may be accepted by the Village for treatment. Any special agreement may be subject to payment by the industrial concern and no agreements shall contravene any requirements of existing Federal or State laws. Except as specifically provided, no privy, privy vault, septic tank, cesspool, or other facility intended or used for sewage disposal may be constructed.

Any house, building, or property used for human occupancy, employment, recreation, or other purposes, which abuts an alley, street, or right-of-way with a sewer (or which will abut a sewer line in the future) shall install toilet facilities and connect said facilities to the proper public sewer in accordance with the provisions of this Chapter, within ninety (90) days after receipt of official notice.

C. Use of the Public Sewers. No unauthorized person shall maliciously, willfully, or negligently break, damage, destroy, uncover, deface, or tamper with any structure, appurtenance, or equipment which is a part of the sewage works. Any person violating this provision shall be subject to immediate arrest under charge of disorderly conduct.

D. Powers and Authority of Inspectors. Any duly authorized employee of the Village shall be permitted to enter all properties for the purposes of inspection, observation, measurement, sampling, and testing in accordance with the provisions of this Chapter. The Village shall have no authority to inquire into any processes (including metallurgical, chemical, oil, refining, ceramic, paper, or other industries) except as the process has a direct bearing on the kind and source of discharge to the sewers or waterways or facilities for waste treatment.

While performing the necessary work on private property referred to in this Chapter, duly authorized employees of the Village shall observe all safety rules applicable to the premises established by the company and the company shall be held harmless for injury or death to the Village employees. The Village shall indemnify the company against liability claims and demands for personal injury or property damage asserted against the company and growing out of the gauging and sampling operation, except as such may be caused by negligence or failure of the

company to maintain safe conditions.

The Village shall be permitted to enter all private property over which the Village holds an easement for the purposes of, but not limited to inspection, observation, measurement, sampling, repair, and maintenance of any portion of the sewage works lying within said easement. All entry and subsequent work within said easement, shall be completed in accordance with the terms of the easement.

E. Penalties. Any person violating any provision of this Chapter shall be served by the Village with written notice stating the nature of the violation and providing a reasonable time limit for the satisfactory correction thereof. The offender shall, within the time stated in such notice, permanently cease all violations.

Any person who shall continue any violation beyond the time limit specified, shall be guilty of a misdemeanor, and on conviction thereof shall be fined in an amount not exceeding five hundred (500) US dollars for each violation. Each week in which any such violation shall continue shall be deemed a separate offense.

Any person violating any of the provisions of this Ordinance shall become liable to the Village for any expense, loss, or damage occasioned the Village by reason of such offense.

F. Validity. All Ordinances or parts of Ordinances in conflict herewith are hereby repealed.

The invalidity of any section, clause, sentence, or provisions of this Chapter shall not affect the validity of any other part of this Chapter, which can be given effect without such invalid part or parts.

G. Charges for Debt Service and Operation/Maintenance. The Trustees shall include in the annual Village general, wastewater and sanitation budgets, an amount sufficient to repay the cost of development and construction of the Village of Essex Junction public sewer system.

Tax exempt property and Federal, State and municipal properties connected to the Village of Essex Junction public sewerage system shall be subject to sewer rents for the discharge of debt service.

The Trustees shall annually establish a user charge rate in US dollars per one thousand (1,000) gallons of water consumed for all premises connected to the Village public sewer system for the payment of operating costs, maintenance and repair of the system. The established annual user charge rate shall be made known to each user of the system.

The user charge rate established by the Trustees shall be applied to the annual consumption of water by the user as metered by the Village and the wastewater quantities transmitted to the Village for treatment by the Towns of Essex and Williston measured in accordance with the prevailing inter-municipal agreement.

The Trustees reserve the right to assess charges in a fair and equitable manner for use of the public sewer system by metered water usage or by contract in the event a user does not fall within

any of the classifications listed in this Chapter.

Failure of any owner or agent to receive a bill shall not excuse non-payment. If the owner fails to receive a bill, he/she shall obtain a bill from the Village Clerk.

Collection of delinquent charges may be enforced by the Village pursuant to 24 V.S.A. 3612, 24 V.S.A. 2615, and 24 V.S.A. Chapter 129.

The Village Clerk shall file all delinquent charges in accordance with 24 V.S.A. Chapter 129, Uniform Water and Sewer Disconnect.

The Trustees shall have the right to abate any and all delinquent penalty charges, which, in their sole and uncontrolled discretion, deem to be in the best interest of the Village to abate.

Pursuant to 24 V.S.A. 3611 all revenues received from sewer rents including interest and penalties thereof shall be credited to the Village general fund for the payment of debt service and all revenues received from the user charges shall be credited to a special fund to be known as the "Public Sewerage System Operations and Maintenance Account".

A user of the public sewerage system identified as a contributor of a toxic substance to the sewerage system shall be assessed a charge equal to the added cost of processing that waste.

H. Commercial and Industrial Cost Recovery System. All wastewaters entering the Village of Essex Junction public sewerage system are domestic type wastes. The Village retains the right to surcharge as allowed by State and Federal law, all waste streams consistently to be stronger than domestic type wastes. Surcharges imposed will be in proportional increments in relation to typical domestic sewage normally measured at two hundred and twenty (220) mg/l each five (5) day BOD and/or total suspended solids.

I. Private Sewage Disposal. Off-Site - All new development shall be directly connected to a public sewer. Existing state and federal approved private waste water treatment systems in the Light Industrial District are exempt from this requirement. The developer is required to provide such pumping and other facilities as necessary. Improvements to existing Village facilities may be required when significant impact to sanitary sewage infrastructure is determined through the subdivision permitting review. The Commission may require at the applicants expense, the installation of larger sewer lines, pumping and other facilities, outside the development, if the sewer service would otherwise be inadequate.

This exception shall not apply when lots are created as part of a major subdivision. Major subdivisions shall discharge to the public sewer system. An exception may be granted by Trustees for the development of one single-family residence, commercial or light industrial use estimated to discharge under five thousand (5,000) gallons per day per unit if the applicant meets all of the following requirements:

1. The lot to be developed is more than one thousand (1,000) feet from an existing public sewer line having capacity to serve those lots, or that there are unique physical conditions that prohibit or severely restrict the connection to a public sewer; for example, class one or two wetland, steep slope in excess of twenty (20) percent, ledge material.
2. The lot has a minimum acre of three (3) acres.

3. Facilities will be designed and installed as specified in all applicable Village and State regulations and standards.

Prior to construction of a private sewage disposal system, the owner shall obtain a written permit. The applicant shall supplement the permit with plans, specifications, and other information as deemed necessary by the Village.

A permit for a private sewage disposal system shall not be effective until installation is completed to the satisfaction of the Village Engineer. The Village Engineer shall be allowed to inspect the work at any stage of construction. The applicant shall notify Staff when the work is ready for final inspection, prior to covering any underground portions. The inspection shall be made within twenty-four (24) hours of receipt of notice by the Village Engineer.

Construction Drawings and Technical Specifications shall include: Details of proposed connections with the existing sewage disposal system or adequate provisions for on-site disposal or septic waste disposal. If on-site sewage disposal is proposed, the locations and results of tests to ascertain subsurface soils, rock and groundwater conditions shall be provided. All tests and design criteria shall be in accordance with applicable State and local regulations or standards (See State Health Regulations).

When a public sewer becomes available to a property served by a private sewage disposal system, a direct connection shall be made to the public sewer in compliance with this Chapter. Any septic tanks, cesspools, or similar disposal facilities shall be abandoned and filled with suitable material.

The owner shall operate and maintain the private sewage disposal facilities in a sanitary manner at all times, at no expense to the Village.

No statement contained in this Chapter shall be construed to interfere with any additional requirements that may be imposed by the Health Officer.

When an existing on-site system is abandoned, it must be cleaned of sludge and filled with clean bank-run gravel or dirt within ninety (90) days from the date the septic system was abandoned. Whenever an existing septic system fails, as determined by the Health Officer, the property owner(s), at their expense, will be required to connect to the public sewer within ninety (90) days, unless the property owner receives an exception from the Trustees and complies with all of the following requirements:

1. The lot is more than three hundred (300) feet from a public right of way with an existing public sewer main having capacity to serve the use in question, or that there are unique physical conditions that prohibit or severely restrict the connection to a public sewer, for example, class one or two wetlands, steep slope in excess of twenty (20) percent, ledge material; and
2. Facilities will be designed and installed as specified in all applicable Village and State regulations and standards.

If any septic system fails and the property owner does not receive an exemption from the Trustees, the septic system shall be cleaned of sludge and filled with clean bank-run

gravel or dirt within ninety (90) days from the date that the septic system was determined to have failed by the Health Officer.

J. Private Sewers. "Private sewers" shall mean a sewer in which all owners of abutting properties have equal rights through an association of abutting property owners or any sewer line that is not owned and maintained by the Village. Private sewers shall be permitted only when:

1. The sewer serves buildings which front on an approved road; or
2. The elevations of the building drains for a series of buildings are too low to permit gravity flow directly to the public sewer and a private sewer is the most economical means for connecting the building drains to the public sewers.
3. The private sewer serves no more than three (3) lots.
4. Plans of the private sewer are provided which accurately show the location, elevation and size of mains and laterals.
5. The private sewer has sufficient capacity for all users connected to it, as certified by a registered engineer.
6. Written permission is obtained from all property owners presently connected to the line.
7. All private sewers shall be located outside the Village Right-of-way and shall be designed by a registered engineer licensed to practice in the State of Vermont, and constructed to Village standards (subject to the approval of the Village Engineer).

Bylaws for the association of owners controlling the private sewer shall:

- (a) Be subject to approval by the Commission;
 - (b) Be included in the deed for each property abutting the private sewer in perpetuity; and
 - (c) Include a statement absolving the Village from any responsibility for the operation and maintenance of the private sewer and indemnify the Village for any liability for damage associated with the private sewer.
8. All private sewers shall be connected to the public sewer system, existing state and federal approved private waste water treatment systems in the Light Industrial District are exempt from this requirement.
 9. After a private sewer system has been approved as specified herein, additional connections to that private sewer system shall be prohibited unless they are approved by the Commission and the Village Engineer.
 10. The Village Engineer will have the authority to require any necessary repairs to private sewer laterals or lines (including the connection to the Village main). All laterals and services from the main to the building are private. If the private owner refuses to repair the lateral when requested to do so by the Village Engineer, the Village Engineer can contract for these repairs and bill the private owner for all actual costs. These charges will become part of the sewer bill.

K. Pump Stations. Sewage Lift Stations shall be constructed when topography/or other relevant site conditions warrant. Sewage to be centrally collected and "raised" to the surface for continued gravity flow to the central treatment facility. Any constructed sewage lift station shall be owned and maintained by the site developer, homeowners association, or other private entity unless the Sewage Lift Station is built in accordance with these general specifications and the Village agrees to accept the Lift Station upon completion of the installation. Acceptance shall include all appurtenant structures, applicable warranties and sureties. Acceptance shall include

and be concluded with transfer of the station and its property where installed, by warranty deed to the Municipality.

Whereas reliability is important to protect the public health, facilities constructed to transmit sewage from a service area greater than ten (10) homes shall be of the following general type and configuration: (Note: The Village will not accept for ownership any Wet Pit Submersible Pump stations).

Wet Well/Dry Pit: For capacity of output less than one hundred (100) gallons per minute a duplex station.
For capacity of output greater than one hundred (100) gallons per minute a vacuum primed or a flooded suction duplex centrifugal pump stations will be considered. No suction lift shall be greater than nineteen (19) feet.

Design considerations shall be based on the most current Agency of Natural resources Sewage Flow Estimating Tables - Environmental Protection Rules and be designed in accordance with the "Recommended Standards for Wastewater Facilities" (commonly known as the Ten State Standards) as the Vermont Department of Environmental Conservation, Wastewater Management Division. Emergency storage or pumping provisions shall be provided as required by the Regulators.

Wet well design shall be such that pump cycles shall run for approximately five (5) minutes with a minimum force main velocity of two (2.0) ft/second without using gravity lines for available storage.

Level control shall be by an integrated, submerged level transducer with field adjustable set points. Control shall provide for LED Readout of wet well level and provide for set points for high level alarm and low level alarm. Also, integrated into the control system will be a redundant iron construction control operated by a wet well float switch with adjustable time out from zero (0) to five (5) minutes when the float switch contact opens. A proportional signal output of four (4) to twenty (20) milliamps shall be provided. Signal output shall be proportional to level indicator.

1. Flooded Suction Non Clog Sewage Pump Station.
 - (a) Close coupled motor driven with mechanical seal lubricated and pressurized from backhead.
 - (b) Non clog.
 - (c) Able to pass a sphere of three (3) inches diameter.
 - (d) Heavy cast iron construction.
 - (e) Motors shall be three (3) phase premium efficiency with the bearing nearest the motor as radial and thrust load and upper bearing radial only.
 - (f) Closed cast iron impeller.
 - (g) Factory built in one (1) complete assembly.
2. Wet Well Mounted Duplex Pump Station.
 - (a) Close coupled motor driven with mechanical seal lubricated and pressurized from backhead..
 - (b) Non-clog.
 - (c) Able to pass a sphere of three (3) inches diameter.

- (d) Heavy cast iron construction.
 - (e) Motors shall be three (3) phase premium efficiency with the bearing nearest the motor as radial and thrust load and upper bearing radial only.
 - (f) Closed cast iron impeller.
 - (g) Factory built in one (1) complete assembly.
 - (h) Vacuum primed.
 - (i) Hinged fiberglass cover with drip edge - lockable with integrated latch to keep hatch in open position.
 - (j) Adjustable/closeable vent louvers.
 - (k) Pumps shall be designed for the use of vacuum priming and mechanical sealing.
3. Wet Well Mounted Pump Station with Duplex Recessed Impeller Type.
- (a) Close coupled motor driven with mechanical seal lubricated and pressurized from backhead.
 - (b) Non-clog.
 - (c) Able to pass a sphere of three (3) inches diameter.
 - (d) Heavy cast
 - (e) Motors shall be three (3) phase premium efficiency with the bearing nearest the motor as radial and thrust load and upper bearing radial only.
 - (f) Closed cast iron impeller.
 - (g) Factory built in one (1) complete assembly.

SECTION 1102: SEWER ALLOCATION

A. Allocation of Capacity. Discharge capacity shall be allocated to any applicant who has, at the time of application for an allocation, obtained a Zoning Permit, Sketch Plan Approval or Site Plan Approval for a proposed project (regardless of whether such approval is subject to appeal) and has complied with all requirements established by the Village wastewater treatment facility to obtain an allocation of capacity from such facility. Applicants under this section shall be allocated capacity according to the date they apply for an allocation of capacity under this Chapter in an amount equal to that approved by the Village wastewater treatment facility.

B. Expiration of Allocations. Any allocation of capacity shall expire two (2) years from the date such allocation is made if the improvements needing such capacity are not substantially completed within such two (2) year period. For good cause shown, Staff may approve one extension of one (1) year provided a request for such extension is filed with Staff at least thirty (30) days prior to the expiration of the initial two (2) year period. Allocation will be issued (awarded) upon the applicant's signature on a State of Vermont "Voluntary Request Permit Revocation" form specifically related to the permitted project. The Village of Essex shall execute the Voluntary Request for Permit Revocation only if improvements are not substantially completed within a two (2) year period or when any extension as expired.

Any amendment regarding expiration of allocations can be made applicable to allocations already granted under this Chapter provided such amendment grants those holding allocations under this Chapter at least six (6) months from the date of any such amendment to utilize such allocation.

For the purposes of this Chapter improvements shall be substantially completed when they are

capable of being utilized for their intended purpose.

C. Assignability of Allocations. Allocations of capacity is not alienable, assignable or transferable without written approval of the Village, may not be sold or transferred for use on property other than that for which the allocation is initially granted. Allocations may not be used for substantially different projects on the same property for which an allocation is initially granted.

D. Administration. Requests for allocation of capacity under this Chapter shall be submitted on a standard form and shall be accompanied by an application fee established by the Trustees.

Except as provided below, the Staff shall act to approve or deny any request for allocation of capacity within thirty (30) days of the receipt of said application. Failure to act within said thirty (30) day period shall not constitute approval of an application.

A decision of the Staff to approve or deny an allocation of capacity under this Chapter shall be appealable to the Trustees.

Staff shall have no authority to approve a request for allocation of capacity in an amount of ten thousand (10,000) gallons per day or greater. Staff shall forward a request for such allocation to the Trustees who shall hold a public hearing. The Trustees shall give due consideration to the following:

1. Whether the proposed project complies with the Plan and Village Ordinances in effect, or which have been warned for public hearing before the Trustees.
2. Ability of the Village's Wastewater Treatment facility and collection system to accommodate the proposed discharge.
3. Impact of the proposed allocation on the Village's ability to sustain balanced growth within the limits of remaining available capacity.

CHAPTER 12: RESERVED

CHAPTER 13: RESERVED

CHAPTER 14: WATER SYSTEM MANAGEMENT AND USE

SECTION 1401: APPLICABILITY. Any person obtaining water from the Village of Essex Junction shall agree to the following regulations and such other regulations as the Village may establish to manage the water system.

SECTION 1402: APPLICATIONS.

A. The applicant must state fully and truly the purposes for which the water shall be required, and shall agree to conform to these regulations. No person supplied with water from the Village mains will be entitled to use it for any purpose other than those stated on the application. Application for any other water use shall require a separate permit application.

B. The owner of record shall be responsible for any permit issued or work completed under the provisions of this Chapter. The owner shall keep the Village advised of the address to which bills, notices, and other communications are to be delivered. The owner of the premises shall be held responsible for all water payments. A change of tenants or premises will not relieve the owners from the payment of a back bill.

SECTION 1403: METER REQUIREMENTS. Under no circumstances are plumbers or persons other than those authorized by the Village permitted to turn water on or off at the meter. The water will not in any instance be turned on to any premises for use until a meter has been suitably attached as provided herein.

SECTION 1404: WATER DAMAGE.

A. All persons taking water must keep the fixtures and service pipe within their own premises in good repair and fully protected from frost and must prevent unnecessary leakage of water. The Village shall not be liable for leakage of hydrants, pipes or fixtures upon the premises of the consumer, nor from any obstructions therein by freezing or otherwise, nor for damages resulting from any of the foregoing causes. All leaks that are on the building side of the curb stop will be repaired at the private owners' cost.

B. The Village shall not be liable for any injury, loss or damage of whatever nature occasioned by the failure to maintain a constant or uniform pressure in the water mains, or for damages occasioned by or growing out of a stoppage of said water by frost or other cause, or for damage occasioned by or growing out of an insufficient supply of the same, or for accident or damage of any kind caused by or growing out of the use or failure of said water.

SECTION 1405: DISCONTINUATION. When the owner desires to discontinue the use of water, notice must be given to the Village. Water rates will be collected for all water used until the water is shut off at the curb stop.

SECTION 1406: ABATEMENT. No abatement of water rates will be allowed by reason of disuse or diminished use, or vacancy of premises, unless notice is given to the Village previous to the change. No refunds or abatements shall be made for any of the reasons specified in Section 1404.

SECTION 1407: WATER USAGE. No person shall give away or use water for any purpose other than that for which payment has been made. No person shall, in any way, pollute the waters of any collecting basin, or reservoir, or in any way interfere or meddle with, or obstruct access to any stopcocks or hydrants or other appurtenances of the Village water system.

SECTION 1408: FIRE HYDRANTS. The Village shall, from time to time, examine Village fire hydrants. Except when shut off for repairs, all hydrants shall be kept in working order, and all defective hydrants shall be repaired without unnecessary delay. No person shall open any hydrant or draw water there from except the Village or persons under their direction or the officers of the Fire Department and members of the fire companies under their direction for fire purposes.

SECTION 1409: WATER METERS. All residential meters shall be furnished by the Village and the meters shall be placed in a manner as may be satisfactory to the Village. The type, make and size of the meters shall be as the Village may prescribe and approve. The costs of any damage to the meters by frost, hot water, improper usage or neglect shall be paid by the property owners including removal and reinstallation. In no case shall the Village furnish water through any meter of which they do not have exclusive control.

SECTION 1410: MULTIPLE USE OF METERS. If different parties occupy the same building or premises and are supplied from the same service pipe or meter, all the occupants will have the water cut off for the failure of any one of the consumers to pay their bill. There shall not be two or more services on one meter except where permitted by the Village.

SECTION 1411: METER FAILURES. If, from any cause, a meter fails to register the amount of water passing through it, the consumer will be charged the average daily rate as shown by the meter when in working order.

SECTION 1412: WATER METER CONNECTIONS. Users of meters must connect all water-using fixtures on their premises with their meters in such a manner that all water used will be measured. All water passing through meters must be paid for, whether used or wasted. All meters must be set under the direction of the Village and shall not be moved or disturbed without permission. The use of water through a meter so that the meter will not, in the opinion of the Village, accurately measure water usage will not be allowed. In such cases the Village shall cause the meter or meters to be placed on such service to accurately measure water usage.

SECTION 1413: PAYMENT. Payment shall be due within thirty (30) days of the mailing date.

SECTION 1414: DELINQUENT PAYMENTS. If payment is not received within thirty (30) days from the due date, they are subject a five (5) percent penalty. Disconnections shall be pursuant to VSA Title 24 Chapter 129, Uniform Water and Sewer Disconnect.

SECTION 1415: OTHER VILLAGE RIGHTS. The Village is granted the following right:

A. To permit water to run in exposed places at such times and in such quantities as they may

direct.

- B. To shut off the water for repairs at any time.
- C. To change the regulations and rates.
- D. To adopt temporary regulations as needed for emergencies.

SECTION 1416: WATER SUPPLY

A. Off-Site. All new development (residential, commercial and industrial) must be directly connected to a public water main. The developer is required to provide such facilities as may be necessary. The developer may be required by the Planning Commission to provide or to have installed at his/her expense, larger water lines, meters, and other facilities outside the development, if the water service would otherwise be inadequate.

B. Exception. An exception may be granted by Village Trustees for the development of one single-family residence, commercial or light industrial use if the applicant meets all of the following requirements:

1. The lot to be developed is more than one thousand (1,000) feet from an existing public water line having capacity to serve those lots, or that there are unique physical conditions that prohibit or severely restrict the connection to a public sewer; for example, class one or two wetlands, steep slopes in excess of twenty (20) percent, or ledge material.
2. Each lot has a minimum area of three (3) acres.
3. Facilities will be designed and installed as specified in all applicable Village and State regulations and standards.

Whenever an existing private water supply fails, as determined by the Health Officer, the property owner(s), at their expense, will be required to connect to the public water main within ninety (90) days, unless the property owner receives an exception from the Trustees and complies with all of the following requirements:

1. The lot is more than three hundred (300) feet from a public right-of-way with an existing public water main having capacity to serve the use in question, or that there are unique physical conditions that prohibit or severely restrict the connection to a public sewer, for example, class one or two wetlands, steep slope in excess of twenty (20) percent, or ledge material; and
2. Facilities will be designed and installed as specified in all applicable Village and State regulations and standards.

C. Private Water Lines. Private water lines may be approved and connections to existing private water lines may be approved, if the following conditions are met:

1. A private water line shall serve no more than three (3) separate users.
2. The private water line shall be located within an easement granted to the Village providing access to the line and absolving the Village of all maintenance responsibilities.
3. Curb stops shall be provided for each user connection.

4. A water meter shall be installed at each user structure by the Village in conformance with this Chapter.
5. Written permission for the new connection is obtained from all property owners connected to the line.
6. The water line shall be designed by a professional engineer licensed to practice in Vermont.
7. The engineer shall provide plans showing the accurate location of the existing main, all laterals, and the size and type of piping. The engineer shall certify that the existing private water line can provide sufficient water at adequate pressure to all current and proposed connections to the line. After construction of the line, pressure and disinfection testing records shall be submitted to the Village along with the design Engineer's certification that the work was completed in accordance with the approved plans.
8. The Village will have the authority to require any necessary repairs to private water lines (including the connection to the Village main). All lines from the main to the building are private. If the private owner refuses to repair the line when requested to do so by the Village Engineer, the Village can contract for these repairs and bill the private owner for all actual costs. These charges will become part of the water bill.

D. Construction Drawings and Technical Specifications. Details of proposed connections with the existing public system or adequate provisions for an on-site water system shall be submitted. If an on-site water system is proposed, in accordance with Section 1416.B, the locations and results of tests to ascertain subsurface soils, rock and groundwater conditions shall be provided. All tests and design criteria shall conform to applicable State and local regulations or standards.

SECTION 1417: PENALTIES. Any person violating any of the above rules will be liable for a fine. Any person convicted of vandalism to property under this Chapter shall pay treble damage costs.

CHAPTER 15: RESERVED

CHAPTER 16: FEES AND CHARGES

SECTION 1601: The Board of Trustees may establish and from time to time revise fees to be charged for the submission and review of applications and approvals under the Land Development Code. Prior to the adoption of any such standards, the Trustees shall consider such fees at a public meeting. Following such consideration, the Trustees shall act to establish or not establish such fees by appropriate resolution of the Board.

CHAPTER 17: APPEALS**SECTION 1701: ADMINISTRATIVE DETERMINATIONS**

- A. Purpose. To provide for the timely response to requests for interpretation of provisions of this Code.
- B. Filing of Application. A request for interpretation does not require a formal application. However, all requests shall be in writing and shall refer to the sections of the Code upon which the request is based.
- C. Staff Review. Staff shall provide a written response to any written request. Nothing in this section authorizes Staff to approve any application unless specifically authorized.
- D. For the purposes of appeals, an interested person means any one of the following:
1. A person owning title to property, or a municipality or solid waste management district empowered to condemn it or an interest in it, affected by a bylaw, who alleges that the bylaw imposes on the property unreasonable or inappropriate restrictions of present or potential use under the particular circumstances of the case.
 2. The municipality that has a plan or a bylaw at issue in an appeal brought under this chapter or any municipality that adjoins that municipality.
 3. A person owning or occupying property in the immediate neighborhood of a property that is the subject of any decision or act taken under this chapter, who can demonstrate a physical or environmental impact on the person's interest under the criteria reviewed, and who alleges that the decision or act, if confirmed, will not be in accord with the policies, purposes, or terms of the plan or bylaw of that municipality.
 4. Any ten (10) persons who may be any combination of voters or real property owners within a municipality listed in subdivision (2) of this subsection who, by signed petition to the appropriate municipal panel of a municipality, the plan or a bylaw of which is at issue in any appeal brought under this title, allege that any relief requested by a person under this title, if granted, will not be in accord with the policies, purposes, or terms of the plan or bylaw of that municipality. This petition to the appropriate municipal panel must designate one person to serve as the representative of the petitioners regarding all matters related to the appeal.
 5. Any department and administrative subdivision of this state owning property or any interest in property within a municipality listed in subdivision (2) of this subsection, and the agency of commerce and community development of this state.
- E. Appeals. A prospective applicant may appeal administrative determinations as follows:
1. A determination that a Zoning Permit is required under Section 502.A to the Board of Adjustment following the procedures of Section 1702.
 2. A determination that one or more approvals set forth in Section 502.A.1 are required to the Board of Adjustment following the procedures of Section 1702.
 3. A determination that Subdivision Approval is required under Section 503 to the Planning Commission following the procedures of Section 1704.
 4. A determination that a Public Sewer System Approval is required under Section 504 to the Board of Trustees following the procedures of Section 1705.

5. A determination that a Private Sewer System Approval is required under Section 505 to the Board of Trustees following the procedures of Section 1705.
6. A determination that a Noise Standard Waiver is required under Section 506 to the Board of Trustees following the procedures of Section 1705.
7. A determination that a Public Water System Approval is required under Section 507 to the Board of Trustees following the procedures of Section 1705.
8. A determination that a Private Water System Approval is required under Section 508 to the Board of Trustees following the procedures of Section 1705.
9. A determination that a Public Road Access Approval is required under Section 509 to the Board of Trustees following the procedures of Section 1705.
10. Any appeal of a Staff interpretation or determination shall be in accordance with the provisions of Section 303 except as specifically provided herein.

F. Standards of Review. Staff shall review all requests based upon provisions of this Code and the rules of interpretation as contained herein. Staff shall issue a letter of interpretation within 14 days of receipt of a written request. Determinations shall be limited as follows:

1. A determination that a particular use, which does not fall under a definition of one of the uses specified in the Table of Uses in Section 620 of this Code, is clearly not allowed within the District or is substantially similar to one of the permitted or conditional uses within the District.
2. An interpretation of any definition of any term within this Code as it affects any proposed development.
3. An interpretation of any administrative or application procedure.
4. An interpretation of any Zoning District boundary.
5. An interpretation of the completeness of materials submitted for any review.
6. An interpretation of any policies established by any Board or Commission of the Village of Essex Junction.
7. A determination that an application for an amendment to an approved Planned Development requires new Conceptual Plan Approval.
8. A determination that a proposed amendment to an approved Site Plan is a major or minor amendment.

SECTION 1702: APPEALS OF STAFF DECISIONS PURSUANT TO SECTION 502

A. Purpose. To provide a mechanism by which interested parties may appeal a Staff decision under any subsection of section 502 regarding an application. Actions or approvals of the Planning Commission under this Code shall not be appealable to the Zoning Board of Adjustment.

B. Notice of Appeal. Any interested person who believes that the Administrative Officer has committed an error in making a decision or taking an action may appeal such act or decision to the Board of Adjustment by filing a written Notice of Appeal with the Village Clerk within fifteen (15) calendar days of the subject action or decision. The Notice of Appeal must identify the decision or action appealed and state why such decision or action is erroneous.

C. Action by the Zoning Board of Adjustment. The Board shall conduct a duly warned Public Hearing at which it will take testimony and receive evidence from the applicant, Staff and

interested parties. The Board shall then consider all relevant evidence before it and shall render its decision and issue signed findings of fact and conclusions within forty-five (45) days of the Public Hearing. Failure to act within this time shall result in granting of the Appeal.

D. Standards of Review. The Board shall review any appeal in accordance with the following:

1. Review is restricted to Staff decision appealed.
2. Any interpretation shall fully consider the intent of the provision or sections of Code upon which the Appeal is based.
3. Any interpretation shall fully consider the intent of all applicable provisions of the Village Plan.

SECTION 1703: REQUESTS FOR VARIANCES FROM THE REQUIREMENTS OF CHAPTERS 6 and 7

A. Purpose. To provide a mechanism for granting relief from a specific requirement of this Code, which when strictly applied to a specific parcel may cause undue hardship for the applicant.

B. Action by Zoning Board of Adjustment. The Board may approve or deny an application for a Variance. The Board may grant only the minimum relief necessary to allow the applicant reasonable use of the property in question. A use variance shall not be granted.

No Variance may grant rights to a particular piece of property which is not allowed on other properties within the District except as necessary to allow reasonable use of the property as intended within the District.

C. Standards of Review. In accordance with Section 4469 of Title 24, Chapter 117, of Vermont Statutes Annotated, the Board may grant Variances if it finds that all of the following standards of review are met and such findings are included in its written decisions.

1. There are unique physical circumstances or conditions, including irregularity, narrowness, or shallowness of lot size or shape, or exceptional topographical or other physical conditions peculiar to the particular property, and that unnecessary hardship is due to these conditions, and not the circumstances or conditions generally created by the provisions of the bylaw in the neighborhood or district in which the property is located.
2. Because of these physical circumstances or conditions, there is no possibility that the property can be developed in strict conformity with the provisions of the bylaw, and that the authorization of a variance is therefore necessary to enable the reasonable use of the property.
3. Unnecessary hardship has not been created by the appellant.
4. The variance, if authorized, will not alter the essential character of the neighborhood or district in which the property is located, substantially or permanently impair the appropriate use or development of adjacent property, reduce access to renewable energy resources, or be detrimental to the public welfare.
5. The variance, if authorized, will represent the minimum variance that will afford relief and will represent the least deviation possible from the bylaw and from the plan.
6. A request for a Variance that is primarily a request for a renewable energy

resource structure shall meet only the following criteria:

- (a) It is unusually difficult or unduly expensive for the appellant to build a suitable renewable energy resource structure in conformance with the bylaws.
- (b) The hardship was not created by the appellant.
- (c) The variance, if authorized, will not alter the essential character of the neighborhood or district in which the property is located, substantially or permanently impair the appropriate use or development of adjacent property, reduce access to renewable energy resources, or be detrimental to the public welfare.
- (d) The variance, if authorized, will represent the minimum variance that will afford relief and will represent the least deviation possible from the bylaws and from the plan.
- (e) In rendering a decision in favor of an appellant under this section, a board of adjustment or development review board or the environmental court may attach such conditions to variances as it may consider necessary and appropriate under the circumstances to implement the purposes of this chapter and the plan of the municipality then in effect.

D. Effect of Approval or Denial. Approval by the Board authorizes the applicant to apply for a Zoning Permit in accord with the Findings as signed by the Board. An application which was denied may not be refiled within six (6) months of the effective date of the denial unless substantive new evidence is submitted.

SECTION 1704: APPEALS OF STAFF DECISIONS TO THE ZONING BOARD OF ADJUSTMENT

- A. Purpose. To provide a mechanism by which interested parties may appeal the:
1. Classification of activities at an Exposition Center PUD pursuant to Section 502.E.6; or
 2. Staff decisions regarding Site Plan Approvals pursuant to Section 502.I.10; or
 3. Administrative determinations of Staff regarding the applicability of subdivision review to a particular project; or
 4. A decision of Staff under the provisions of Section 503.B, regarding classification of a project or a determination that an application is not complete.
- B. Notice of Appeal. Any interested person who believes that Staff has committed an error in making a decision or taking an action may appeal such act or decision to the Zoning Board of Adjustment by filing a written Notice of Appeal with the Village Clerk within fifteen (15) calendar days of the subject action or decision. The Notice of Appeal must identify the decision or action appealed and state why such decision or action is erroneous.
- C. Action by the Board. The Board shall conduct a duly warned public hearing at which it will take testimony and receive evidence from the applicant, interested parties and Staff. The Board shall consider all relevant evidence before it. It shall issue its decision in writing with findings of fact and conclusions within forty-five (45) days of the final public hearing. Failure to act within this time shall result in granting the appeal.

D. Standard of Review. In an appeal under this Section, the Commission shall proceed de novo but shall limit its review and decision to the specific decision or action appealed.

SECTION 1705: APPEALS TO THE BOARD OF TRUSTEES

A. Purpose. To provide a mechanism by which interested parties may appeal any decision or act of Staff under the provisions of Sections 504-509, including administrative determinations, and determinations that an application is not complete.

B. Notice of Appeal. Any interested person who believes that the Staff has committed an error in making a decision or taking an action may appeal such act or decision to the Board of Trustees by filing a written Notice of Appeal with the Village Clerk within 15 calendar days of the subject action or decision. The Notice of Appeal must identify the decision or action appealed and state why such decision or action is erroneous.

C. Action by the Board of Trustees. The Board shall conduct a duly warned Public Hearing, except in those matters identified in subsection E below, at which it will take testimony and receive evidence from the applicant, interested parties and Staff. The Board shall consider all relevant evidence before it. It shall issue its decision in writing with findings of fact and conclusions within forty-five (45) days of the final public hearing. Failure to act within this time shall result in granting of the Appeal.

D. Standard of Review. In an appeal under this Section, the Board shall proceed de novo but shall limit its review and decision to the specific decision or action appealed.

E. Matters Not Requiring a Public Hearing. The Board of Trustees shall not be required to hold a public hearing for consideration of the following matters:

1. Review of Staff determination pursuant to Section 506 that a waiver is required from the standards of Chapter 13. The identified matters may be considered by the Board of Trustees and decided at a regular or special meeting of the Board.

F. Decisions of the Board of Trustees shall be final.

SECTION 1706: APPEALS FROM BOARD OF ADJUSTMENT DECISIONS

Decisions of the Board of Adjustment made pursuant to Sections 1702 and 1703 may be appealed to the Vermont Environmental Court in accordance with the provisions of 24 V.S.A. §4471. All appeals shall be on the record.

SECTION 1707: APPEALS FROM PLANNING COMMISSION DECISIONS

Decisions of the Planning Commission made pursuant to Section 1704 above, may be appealed to The Vermont Environmental Court in accordance with the provisions of 24 V.S.A. §4475. All appeals shall be on the record.

SECTION 1708: ON THE RECORD REVIEW

As provided for in 24 V.S.A. § 4471 (b) the use of on the record review procedures will be followed for all development applications that require review by the Planning Commission or Zoning Board of Adjustment. The procedures outlined in the Municipal Administrative Procedure Act (MAPA) shall govern all Planning Commission and Zoning Board of Adjustment application reviews. Evidence provided and recorded at public meetings and hearings shall follow the Vermont Rules of Evidence as outlined in 24 V.S.A. § 1206 (b).

APPENDIX A: PUBLIC WORKS SPECIFICATIONS

SECTION 101: TITLE, PURPOSE AND APPLICABILITY

A. Title. This Chapter shall be entitled the "Public Works Minimum Specifications" of the Village of Essex Junction.

B. Purpose. The Village Trustees may adopt, and from time to time, amend, specifications for the design and construction of streets, water distribution facilities, sanitary sewer facilities, storm water facilities, and improvements and facilities appurtenant to any of these facilities. Such standards may apply to new construction and to reconstruction of existing facilities. Such standards may also apply to the construction or reconstruction of such facilities, whether publicly or privately owned, if such facilities connect to facilities, which are publicly owned. Prior to the adoption of any such standards, the Trustees shall consider such standards at a public meeting. Following such consideration, the Trustees shall act to adopt, not adopt, or adopt such standards with amendments by appropriate resolution of the Board.

C. Applicability. The provisions of this Chapter shall be applicable to any new construction as well as to reconstruction made necessary by obsolescence or deterioration. Variations from these specifications shall not be permitted without written approval by the Village Engineer. It shall be the policy that all engineering design be based on the latest methods and technologies when determining sizes, strengths and quantities.

For the purposes of this Chapter, Village Engineer shall mean the person or persons appointed by the Trustees in accord with the Village Charter to act in that capacity. The Village Engineer may authorize alteration in design or materials used when construction conditions justify such changes.

SECTION 102: STREET SPECIFICATIONS

A. Description. This item shall consist of a sub-base course of sand as approved by the Engineer and constructed on a prepared subgrade in accordance with the sections as shown on the accepted drawings.

B. Materials. Sand shall consist of material reasonably free from silt, loam, clay, or organic matter. It shall conform to the Vermont Standard Specification for sand borrow, No. 703.03A. It shall be obtained from approved sources and shall meet the requirements set forth in this table:

Sieve Designation	Percentage by Weight Passing Square Mesh Sieve
2"	100
1 ½ "	90-100
½ "	70-100
No. 4	60-100
No. 100	0-20

Sieve Designation	Percentage by Weight Passing Square Mesh Sieve
No. 200	0-8

C. Preparation of Subgrade. Objectionable and unsuitable materials shall be removed and replaced with approved material as directed by the Village Engineer. Subgrade shall meet the lines and grades shown on the drawings.

1. Sand shall be deposited and spread so as to distribute the material in uniform layers, compacted to a density of ninety five (95) percent of the maximum dry density using the Standard Proctor Test, according to ASTM D698.
2. Underdrains shall be installed where necessary to provide subgrade stabilization or to prevent the accumulation of water beneath the roadway in areas of highly frost reactive soils.
3. In areas where soil conditions are poor, the Village reserves the right to require that an inert filter fabric be installed beneath the roadbed.

SECTION 103: GRAVEL BASE - BOTTOM COURSE

A. Description. This item shall consist of a base course composed of dense graded crushed stone in accordance with VAOT specification 704.06A, as approved by the Engineer and constructed on a prepared subgrade in accordance with the sections as shown on the accepted drawings.

B. Materials. All materials shall be secured from approved sources. Such gravel shall consist of hard, durable stones, which show uniform resistance to abrasion and which are intermixed with sand or other approved binding material as directed by the Engineer. It shall meet the requirements of Vermont Standard Specification Item No. 704.06A, Dense Graded Crushed Stone for Sub-base. The gravel shall be uniformly graded from coarse to fine and shall meet the grading requirements set forth in this table:

Sieve Designation	Percentage by Weight Passing Square Mesh Sieve
3 ½ ”	100
3”	90-100
2”	75-100
1”	50-80
½ ”	30-60
No. 4	15-40
No. 200	0-6

All bottom course material shall be deposited and spread so as to distribute the material in uniform layers, compacted to a density of ninety five (95) percent of the maximum dry density using the Standard Proctor Test, according to ASTM D698.

C. Preparation of Subgrade. All boulders, organic material, soft clay, spongy material and any other objectionable and unsuitable material shall be removed and replaced with approved material as directed by the Village Engineer. The subgrade shall be complete with all underdrains, sand blanket, or filter fabric in place. Approval of the Village Engineer shall be necessary prior to placing of gravel bottom course.

SECTION 104: CRUSHER RUN - TOP COURSE

A. Description. This item shall consist of an upper course of crusher run gravel to be placed over the gravel base - bottom course, which will have been prepared in accordance with these specifications. This upper course shall conform to the following specifications and be placed in accordance with the lines, grades, and typical cross-sections as shown in the accepted drawings. Material shall meet Vermont Standard Specification Item No. 704.05A - Fine; crushed gravel for sub-base.

B. Materials. All materials shall be secured from approved sources. This gravel shall consist of angular and round fragments of hard durable rock of uniform quality throughout, reasonably free from thin, elongated pieces, soft or disintegrated stone, dirt or other objectionable matter. The grading requirements shall conform to the following table:

Sieve Designation	Percentage by Weight Passing Square Mesh Sieve
2"	100
1 ½ "	90-100
No. 4	30-60
No. 100	0-12
No. 200	0-6

This upper course of crusher run gravel shall be deposited and spread in a uniform layer, and compacted to a density of 95% of the maximum dry density using the Standard Proctor Test, according to ASTM D698.

SECTION 105: BITUMINOUS CONCRETE PAVEMENT

A. Description. This type of pavement shall be composed of mineral aggregate, mineral filler if required, and bituminous material, plant mixed and laid hot. This pavement shall be constructed in two (2) courses on the prepared or existing base in accordance with these specifications and in conformity with the lines, grades, thickness and typical cross-sections shown on the accepted drawings. No puddles will be allowed on streets or sidewalks.

B. Material:

1. The course aggregate shall consist of clean, hard crushed rock or screened crushed gravel free from dirt or foreign matter. It shall be reasonably free from soft and elongated pieces.
2. The fine mineral aggregate shall consist of sand or a mixture of sand and stone screenings of which at least fifty (50) percent by weight shall be sand. The sand shall consist of clean, hard, durable grains, free from dirt, unsuitable material, and pieces,

which are structurally weak.

3. The asphalt cement shall conform to all the requirements as set forth by the State of Vermont Standard Specifications for Highway Construction. (Section 702).

C. Construction Methods. Equipment for spreading and finishing the mixture shall be a mechanical spreading and finishing machine provided with an activated screed and heated if required. The machine shall be capable of spreading the mixture without segregation and shall be approved by the Village Engineer before being used.

Application of bituminous concrete pavement shall conform in all respects to Vermont Standard Specifications Section 406. These requirements shall include but not be limited to the following:

1. Weather Conditions, unless otherwise approved by the Village Engineer. The plant mixed material shall not be placed between November 1 and May 1. Bituminous wearing course shall not be applied prior to May 15 or after October 15. The material shall not be placed when the air temperature at the paving site in the shade and away from artificial heat, is forty (40) degrees Fahrenheit or lower. Placing shall not begin until the air temperature is over forty (40) degrees Fahrenheit and rising.
2. Spreading and Finishing. Immediately before placing the bituminous mixture, the existing surface shall be cleaned of all loose or unsuitable material. Contact surfaces of pavement, curbing, gutters and manholes shall be painted with a thin, uniform coat of Emulsified Asphalt Type RS-1 immediately prior to placement of the mixture against them.
3. Compaction. Immediately after the bituminous mixture has been spread, struck off and surface irregularities adjusted, it shall be thoroughly and uniformly compacted by rolling. Along forms, curbs, headers, walls and other places not accessible to the rollers, the mixture shall be thoroughly compacted with hot or lightly oiled hand tampers, smoothing irons or with mechanical tampers. On depressed areas, a trench roller may be used or cleated compression strips may be used under the roller to transmit compression to the depressed area.
4. Surface Tolerance. The base course shall be finished to within a grade tolerance of one quarter ($\frac{1}{4}$) inch, provided that this deviation is not maintained for a distance longer than fifty (50) feet, and provided that the required crown or super-elevation is maintained. The surface course will be tested by the Engineer using a sixteen (16) foot straight edge at selected locations parallel with the centerline. Any variations exceeding one eighth ($\frac{1}{8}$) of an inch between any two contacts shall be satisfactorily eliminated. A ten (10) foot straight edge may be used on a vertical curve. The straight edges shall be provided by the contractor.
5. Bituminous concrete pavement and pathways shall be constructed using a mechanical spreading and finishing machine and shall be approved by the Village Engineer. After placement, the material shall be thoroughly compacted with rollers or other equipment approved by the Village Engineer.

SECTION 106: CEMENT CONCRETE CURB

A. Description. This item shall consist of a Portland Cement concrete curb constructed on a prepared subgrade in accordance with these specifications and the cross-section shown on the accepted drawings. In general, each property is allowed one curb cut. Additional curb cuts, and

curb cut locations, and layout shall be as specified in Section 705 of this code.

B. Materials. All concrete used in the construction of roadway curbs shall be Air Entrained five percent plus or minus one percent ($5.0\% \pm 1\%$) so determined by an air meter approved by the Village Engineer. This concrete shall have a twenty eight (28) day compressive strength of four thousand (4000) psi and meet State of Vermont Standard Specifications for Class A concrete, Section 541.

C. Construction Methods.

1. Preparation of subgrade - All boulders, organic material, soft clay, spongy material and any other objectionable material shall be removed and replaced with approved material. The concrete curbing shall be built to the required line and grade on a sub-base of gravel six (6) inches in depth, which shall be fully compacted.

2. Forms for concrete - The forms shall be of metal or of acceptable planed and matched lumber and of such construction that a smooth surface will be produced. All forms shall be oiled.

3. Placing and finishing concrete - Just prior to placing the concrete, the subgrade shall be moistened. The concrete mixed to the proper consistency shall be placed in the forms and thoroughly tamped in place so that all honeycombs will be eliminated and sufficient mortar will be brought to the surface. The use of vibrators or other compaction equipment to move the concrete within the forms is not approved. The curbing shall immediately upon removal of the forms, be rubbed down to a smooth and uniform finish, no plastering or patching will be allowed. After the forms have been removed, the trench shall be backfilled with approved gravel and fill as needed and thoroughly tamped, care being taken not to affect the alignment or grade of the curbing.

4. Expansion and contraction joints – One half-inch ($1/2''$) expansion joints shall be placed at intervals of twenty (20) feet for continuous pours. At intervals not greater than ten (10) feet nor less than five (5) feet, the concrete curbs shall be scored for a depth equal to one-third ($1/3$) the total depth of the concrete.

5. Curing the concrete - When completed, the concrete shall be kept moist for a period of not less than three (3) days and longer if the Engineer deems necessary and shall be protected from the elements in an approved manner. If the contractor elects, he may apply an approved curing compound according to directions of the manufacturer.

6. Seasonal Limits - No concrete shall be poured on a frost or thawing subgrade or during unseasonable weather conditions, or when the temperature is forty (40) degrees Fahrenheit or lower and falling.

7. Anti-Spalling Compound - Upon completion of the initial curing period (approximately twenty eight (28) days after placement), Anti-Spalling Compound is to be applied in two (2) coats. The first coat shall be applied at the rate of twenty-five thousandths (0.025) of a gallon per square yard and the second coat at a rate of fifteen thousandths (0.015) of a gallon per square yard. The air temperature during application shall not be lower than fifty (50) degrees Fahrenheit. All exposed surfaces shall be treated and shall be exceptionally clean prior to the time of application.

SECTION 107: GRANITE CURB

A. Description. This item shall consist of a granite curb constructed on a prepared subgrade

in accordance with these specifications and the cross-section shown on the accepted drawings.

B. Materials:

1. All curbs shall be obtained from approved sources and shall meet the requirements of Sections 707.01, Mortar, Type I and 729.01, Vertical Granite Curb of the Standard Specifications for Highway and Bridge Construction, Vermont Department of Highways.
2. Curb shall be cut from hard durable quarried granite, grey in color and free from seams, cracks or other structural defects. Curbstones shall be furnished in minimum lengths of six (6) feet and the top surface shall be sawed to true plane plus or minus one eighth ($\pm 1/8$) of an inch. The top front arias line shall be rounded to a two (2) inch radius and the front face shall be smooth quarry split. The top eight (8) inches of the front face shall have no projections greater than one (1) inch or depressions deeper than two (2) inches.
3. Curb Cuts - Same as for Cement Concrete Curb, as specified in section 705 of this Code.

C. Construction.

1. Excavation shall be made to the required depth and the base material shall be compacted to a firm true surface. A fine dirty stone such as "ShurPac" shall be used to level the bed for the curb.
2. Curb stones shall be set so that the front arias line conforms to the line and grade shown on the plan.
3. No joints larger than one (1) inch will be permitted between stones. All joints shall be completely filled with Type I Mortar and shall be neatly pointed on front and top.
4. Topsoil shall be filled against the back of curb and shall be blended to existing lawns. Fill slopes shall not exceed six to one (6:1) unless authorized by the Engineer.

SECTION 108: CEMENT CONCRETE SIDEWALK

A. Description. This item shall consist of sidewalk made of one course Portland Cement concrete not less than four (4) inches thick and with a width of not less than five (5) feet. Where physical constraints exist, and at the discretion of the Village, existing sidewalks less than five (5) feet may be reconstructed with a width less than five (5) feet. Where the sidewalk crosses a driveway the depth of concrete shall not be less than six (6) inches and, in some areas not less than eight (8) inches for the full width of the driveway. The sidewalk shall be constructed in accordance with these specifications and the cross-sections as shown on the accepted drawings.

B. Materials. Same as for Cement Concrete Curb.

C. Construction Methods:

1. Preparation of Subgrade - All boulders, organic material, soft clay, spongy material, and any other objectionable material shall be removed and replaced with approved material. The subgrade shall be properly shaped, rolled and uniformly compacted to conform with the accepted cross-sections and grades.
2. Base - Six (6) inches of compacted, approved gravel (704.05A-Fine) shall be constructed on the subgrade to accepted cross-sections and grades. Twelve (12) inches

base is required for drive aprons.

3. Forms for Concrete - The forms for the concrete shall be made of wood or metal, well oiled, straight, free from warps or kinks and of sufficient strength. They shall be staked securely enough to resist the pressure of the concrete to be deposited, they shall not vary from the approved line and grade and shall be kept so until the concrete has set.

4. Placing and Finishing Concrete - Just prior to placing the concrete, the sub-base shall be moistened. The concrete mixed to the proper consistency shall be placed in the forms and thoroughly tamped in place so that all honeycombs will be eliminated and sufficient mortar will be brought to the surface. Unless otherwise approved by the Village, sidewalk shall be cast in one hundred (100) foot sections with no expansion joints. Connection to existing sidewalk and between one hundred (100) foot sections shall be accomplished with steel dowels, spaced twelve (12) inches on center. Sidewalk adjacent to curb shall be separated with four (4) millimeter polyethylene. After this, the surface shall be brought to a smooth even finish by means of a wooden float. The surface shall be broom finished. All faces adjacent to the forms shall be spaded so that after the forms are stripped, the surface of the faces will be smooth, even and free of honeycombs. All edges shall be tool rounded with an edger having a quarter (0.25) inch radius.

5. Scoring Concrete - Sidewalk joints shall be saw cut at five (5) foot intervals to one third (1/3) the sidewalk depth. Struck transverse false joints shall not be utilized. Connections to existing concrete requires minimum one half (1/2) inch smooth steel dowels, spaced twelve (12) inches on center, and shall be installed by drilling.

6. Curing Concrete - All sidewalks shall be treated with Certi-Vex AC 1315, per the manufacturer's instructions.

7. Backfilling - Backfill shall be of suitable plant mixed gravel and shall be placed and tamped until firm and solid. Backfilling shall follow immediately after the concrete forms have been removed.

8. Seasonal Limits - Same as for Cement Concrete Curb.

9. Anti-Spalling Compound - Same as for Cement Concrete Curb.

D. Accessible Access. Sidewalk ramps shall be constructed as shown in these specifications and located in accordance with the approved plans at all intersections. Detectable surface shall be truncated domes constructed of cast iron. Saw cutting, exposed aggregate, or scoring sidewalk ramps is not acceptable.

SECTION 109: CEMENT CONCRETE DRIVEWAY APRONS (PRIVATE AND COMMERCIAL DRIVES)

A. Description. This item shall consist of a Portland Cement Concrete driveway apron not less than six (6) inches thick and in some areas not less than eight (8) inches thick at the discretion of the Village. The sub-base shall be constructed on the approved subgrade in accordance with these specifications and as shown on the accepted drawings.

B. Materials. Same as for Cement Concrete Curb.

C. Construction Methods.

1. Preparation of Subgrade - Same as for Cement Concrete Sidewalk.
2. Forms for Concrete - same as for Cement Concrete Curb.

3. Placing and Finishing Concrete - Same as for Cement Concrete Sidewalk.
4. Curb - Curbs shall be constructed so as to protrude one (1) inch above the roadway surface at the entrance to the driveway. This curb shall be constructed with a smooth and gradual depression transition.
5. Sidewalks - The section of sidewalk at the driveway shall be constructed to a thickness of not less than six (6) inches, but in some areas not less than eight (8) inches at the discretion of the Village Engineer.
6. Curing Concrete - Same as for Cement Concrete Curb.
7. Seasonal Limits - Same as for Cement Concrete Curb.
8. Anti-Spalling Compound - Same as for Cement Concrete Curb.

SECTION 110: BITUMINOUS CONCRETE DRIVEWAY APRONS (PRIVATE AND COMMERCIAL DRIVES)

- A. Description. Same as for Bituminous Concrete pavement.
- B. Materials. Same as for Bituminous Concrete Pavement.
- C. Construction Methods
 1. Preparation of Subgrade - Same as for Cement Concrete Sidewalk. Minimum of twelve (12) inches compacted gravel (704.05A-Fine).
 2. Curb - Same as for Cement Concrete Driveway Aprons.
 3. Sidewalks - Same as for Cement Concrete Sidewalks.
 4. Method of Application - To be approved by the Engineer.

SECTION 111: RIGHT OF WAY MONUMENTS

- A. Description. This item shall consist of installing Right-of-way monuments below finish grade at all street corners and all points of curvature and/or tangency as shown on the accepted plans.
- B. Materials. Concrete - Concrete monuments shall be precast in one piece four (4) inches by four (4) inches by thirty-six (36) inches of Class B Concrete with four (4) reinforcing steel rods. Monuments shall meet the requirements of Title 26, Chapter 45, and Part 5 Minimum Standards for the Practice of Land Surveying.
- C. Construction Methods
 1. The monuments shall be erected at locations indicated on the Plans, or as directed by the Village Engineer. They shall be set vertically and to a depth so that the top of the monument is at an established grade. The monuments are to be set in place after all other street development is completed.
 2. The location of monuments shall be established by a surveyor licensed to practice in the State of Vermont.

SECTION 112: WATER DISTRIBUTION SPECIFICATIONS

- A. Description. This item shall consist of the excavation and backfilling required for the

complete construction of the water mains, which shall include valves, tees, hydrants, elbows, reducers and all other appurtenances necessary for a complete water main system as indicated on the accepted drawings.

B. Materials.

1. Pipes - Water mains shall be double cement-lined Ductile Iron Pipe, A.W.W.A. thickness Class fifty two (52) of the size shown on the accepted plans: (Minimum diameter – eight (8) inches). PVC water mains are not acceptable.
2. Fittings - All fittings are to be mechanical joint cement lined Ductile Iron A.W.W.A., pressure rating three hundred and fifty (350) psi to twelve (12) inch diameter pipe, and to meet requirements of A.W.W.A. Standards C 110-77.
3. Other materials may be accepted on a case-by-case basis.

C. Gate Valves - Gate valves shall be A.W.W.A. C 500-80 Standard Gate Valves with mechanical joints of sizes as required on the plans. All valves shall be of cast or ductile iron body, parallel brass seats, non-rising stem, inside screw, resilient wedge construction with "O" Ring Stem Seals. All valves to be equipped with a valve box for a minimum of five (5) feet of cover material. The gate valves shall open left and be designed for a working pressure of two hundred (200) psi.

D. Construction Methods.

1. Installation - All water main installation and testing shall be made in accordance with A.W.W.A. Standard C.600. Depth of cover shall be no less than six (6) feet on all mains, valves, and fittings. In areas where deep fills occur, the fill shall be applied in six (6) inch layers and each layer shall be compacted to ninety five (95) percent Standard Proctor Density.
2. Excavation - The trench shall be excavated to the line and grade shown on the drawings. The trench should be as narrow as possible but ample to permit the pipe to be laid and joined properly.
3. Bell Holes - Holes for the bells shall be provided at each joint but shall be no larger than necessary for joint assembly and assurance that the pipe barrel will lie flat on the trench bottom. Push-on type joints require only minimum depressions for bell holes.
4. Rock Conditions - When excavation of rock is encountered, all rock shall be removed to provide a clearance of at least six (6) inches below and on each side of all pipe, valves, and fittings. When excavation is completed, a layer of appropriate backfill material shall be placed on the bottom of the trench to the previously mentioned depths, leveled, and tamped. All temporary supports need to be removed prior to burying the pipe.
Temporary support, adequate protection, and maintenance of all underground structures, drains, sewers, and other obstructions encountered in the progress of the work shall be furnished by the contractor.
5. Unsuitable Subgrade Material - When the subgrade is found to include ashes, cinders, refuse, organic material, or other unsuitable material, such material shall be removed to a minimum of at least six (6) inches and replaced with clean, stable backfill material. When such materials are encountered, polyethylene encasement should be used. The bedding shall be consolidated and leveled in order that the pipe may be installed properly.

6. Pipe Plugs - At times when pipe laying is not in progress, the open ends of pipe shall be closed by a water-tight plug or other means approved by the Engineer. The plug shall remain in place until the trench is pumped completely dry. Care must be taken to prevent pipe flotation should the trench fill with water.
7. Joint Deflection - When it is necessary to deflect pipe from a straight line in either the horizontal or vertical plane, the amount of joint deflection shall not exceed five (5) degrees or eighteen (18) inches per eighteen (18) feet of pipe length.
8. Backfill Material - All backfill material shall be free from cinders, ashes, refuse, vegetable or organic material, boulders, rocks or stones, frozen soil, or other material that, in the opinion of the Engineer, is unsuitable.
 - (a) From one (1) foot above top of the pipe to the subgrade of the pavement, material containing stones up to eight (8) inches in their greatest dimension may be used, unless otherwise specified.
 - (b) When the type of backfill material is not indicated on the plans or is not specified, the excavated material may be used, provided that such material consists of loam, sand, gravel, clay, or other materials that, in the opinion of the Engineer, are suitable for backfilling.
 - (c) If excavated material is indicated on the drawings or specified for backfill, and there is a deficiency due to a rejection of part thereof, the required amount of sand, gravel or other approved material shall be provided.
9. Valve Location - Valves in water mains shall, where practical, be located within the street property lines unless shown otherwise on the plans, but not in the paved surface of the street or the sidewalks. Mains shall be drained through drainage branches or blow-offs. Drainage branches, blow-offs, air vents and appurtenances shall be provided with valves and shall be located and installed as shown on the plans. Drainage branches or blow-offs shall not be directly connected to any storm or sanitary sewer, submerged in any stream, or be installed in any other manner that will permit back-siphonage into the distribution system.
10. Valve Protection - A valve box or a vault shall be provided for every valve. All gate valve boxes, extensions and risers shall be cast iron.
11. Thrust Blocks - All plugs, caps, tees, hydrants, and bends deflecting twenty-two and a half (22 ½) degrees or more shall be provided with a thrust block bearing against undisturbed soil. At the approval of the Engineer, the contractor may, in proper soil conditions, install concrete blocks to provide thrust for water pipes.
12. Testing and Acceptance - The pipeline upon completion shall be tested for pressure and leakage by the contractor, in the presence of the Engineer, to a pressure of at least one and half (1.5) times the working pressure in the line at the lowest point or two hundred (200) psi, whichever is greater, for two (2) hours duration and shall not vary by more than plus or minus five (± 5) psi. Any defective work shown by this test will be replaced by the contractor at no extra cost to the owner. The contractor shall furnish all material, labor, and appliances for testing pipe sections as the work progresses. The contractor shall furnish all materials, labor and equipment to test for leakage in the system at one and a half (1.5) times working pressure by means of test meters or other means approved by the Engineers. The leakage shall not be greater than the determined by the following formula:

$$\frac{L}{\frac{S \times D \times (P^{0.5})}{148,000}}$$

in which L is the allowable leakage in gallons per hour; S equals length of pipeline tested in feet; D equals nominal pipe diameter in inches; and P equals average test pressure in psi. If leakage so measured exceeds the allowable amount the contractor shall at once locate the leaks and make the necessary repairs to bring the leakage within the acceptable limits at no extra cost to the owner. All visible leaks are to be repaired regardless of the amount of leakage.

13. Flushing - Prior to Chlorination, the contractor shall flush the mains to A.W.W.A. Standard C601 until a clear stream is obtained.

14. Chlorination - Chlorination of the water main shall be conducted only after the main has been satisfactorily pressure and leakage tested and flushed and a clean stream is obtained, as determined by the Engineer. The Contractor shall furnish all labor, equipment, materials, and tools necessary to disinfect the pipe and appurtenances in accordance with AWWA Standard for Disinfecting Water Main C651, latest revision. The continuous feed method shall be performed under the supervision of the Engineer. The Contractor shall thoroughly flush and dechlorinate while flushing the original chlorination of the main to completely remove all the chlorinated water. The Contractor shall coordinate with the Village of Essex Junction Wastewater Treatment Facility on the disposal of heavily chlorinated water flushed from the main. The disinfection process shall be deemed acceptable only after two samples of water from the flushed, disinfected main, collected twenty-four (24) hours apart, show no evidence of bacteriological contamination, as determined by the Health Department or other approved lab.

15. Protection of Water Supplies - Water mains shall be laid at least ten (10) feet horizontally from any existing or proposed sanitary sewer. This distance can be reduced to five (5) feet for storm sewers. The distance shall be measured edge of pipe to edge of pipe. Where impractical due to ledge, boulders, or other unusual conditions, to maintain ten (10) foot horizontal separation between water and sewer lines, the water line may be in a separate trench or on an undisturbed earth shelf in the sewer trench provided that the bottom of the water line is at least eighteen (18) inches above the top of the sewer. Wherever impossible or impractical to maintain eighteen (18) inches vertical separation, the sanitary sewer line shall be constructed to normal waterline standards and pressure tested to fifty (50) psi for fifteen (15) minutes prior to backfilling. No leakage shall be allowed for this test.

Sewer crossing water mains shall be laid beneath the water main with at least eighteen (18) inches vertical clearance between the top of the sewer and the bottom of the water main. When it is impossible to maintain the eighteen (18) inches vertical separation or where the sewer must be laid above the water main;

- (a) The crossing shall be arranged so that one full length of sewer is centered above or below the water line, with sewer joints as far as possible from water joints;
- (b) The sanitary sewer pipe must be constructed to water main standards for minimum distance of twenty (20) feet either side of the crossing or a total of three (3) pipe lengths, whichever is greater;
- (c) The section constructed to water main standards must be pressure tested to

maintain fifty (50) psi for fifteen (15) minutes without leakage prior to backfilling beyond one (1) foot above the pipe to assure water tightness; and

(d) Where water main crosses under a sewer, adequate structural support shall be provided for the sewer to prevent damage to the water main.

No water main shall pass through, or come into contact with, any part of a sanitary sewer manhole. There shall be no physical connection between the distribution system and any pipes, pumps, hydrants, or tanks, which are supplied or may be supplied with water that is, or may be, contaminated.

SECTION 113: HYDRANTS

A. All hydrants are to be three-way, five (5) inch minimum diameter and limited to the following makes:

1. Kennedy A.W.W.A K-81
2. Mueller A.W.W.A. Cat. No. A 243
3. Waterous A.W.W.A. Pacer

B. All threads shall be “double start” style and have:

1. Steamer connection: Five (5) inch STORZ Connector
2. Two and half (2½) inch spuds:
 - (a) Outside diameter of three and one eighth (3.125) inches plus zero (0) to two hundredths (0.02) inches;
 - (b) Inside diameter of two and a half (2½) inches six (6) threads per inch.
3. There shall be a minimum of twelve (12) inches between the ground and the bottom of the steamer cap.
4. Single family house subdivisions will require not more than three hundred and fifty (350) feet between hydrants, and a minimum water flow of not less than one thousand (1,000) gallons per minute from each hydrant. At least one hydrant shall be located at each intersection.
5. A ten (10) foot by ten (10) foot easement will be required around the hydrant if located on private property. Each hydrant must be a minimum of four (4) feet from the edge of the sidewalk (to the closest point of the hydrant). No structures or planting to be placed within this easement.
6. Color Code:

Gallons/minute	Color on cap of hydrant
more than 1000	green
500-1000	yellow
less than 500	red

The Village will test the hydrants and the contractor will paint the CAPS of the hydrant in accordance with the above color code chart. The base of the hydrant shall be painted red for all hydrants by the contractor.

7. Thrust Blocks: Thrust blocks must be installed in accordance with the specifications given in the water system section of these specifications.
8. No private hydrants will be approved.

SECTION 114: SERVICE CONNECTIONS

A. Description. This item shall consist of the installation of individual services from the water main to the meter with the necessary corporations, curb stops, curb boxes, stop and drains, meter spacers with stubs and pipe as indicated on the accepted drawings.

B. Materials:

1. Pipe - Service pipes shall be three quarter (3/4) inch Type "K" Copper Tubing manufactured according to ASTM Specifications B.88-62, or approved equal.
2. Corporation Stops - All corporation stops shall be constructed of brass according to A.W.W.A. Standard C 800 and be three quarter (3/4) inch thread compression corporation stops Mueller Cat. No. H-15000 or equal.
3. Curb Stops - All curb stops shall be constructed of brass according to A.W.W.A. Standard C 800 and be three quarter (3/4) inch inverted key curb stop, Mueller Cat. No. 15200 or equal with compression fittings.
4. Curb Boxes - All curb boxes shall be Extension Type with stationary rod and arch pattern base, Mueller Cat. No. H-10334 or equal with a five (5) foot bury. Curb box couplings and extensions will be the same material as the curb box.
5. Ball Valves - Ball Valves shall be three quarter (3/4) inch.

C. Construction Methods

1. Services – One (1) curb stop and one (1) water meter shall be installed for each individual dwelling unit, condominium unit, apartment unit, commercial, or office occupancy. Exceptions will be permitted in cases where a condominium association signs a binding agreement to be responsible for all collections of water bills. In cases where condominiums are converted into separate apartments, separate curb stops and water meters shall be installed for each unit. All water meters shall be purchased through the Village Water Department and shall be installed by Village employees. The contractor shall make all necessary taps into the water main and for each lot, install an approved brass corporation stop, connect the three quarter (3/4) inch type "K" copper service pipe to the compression which pipe shall be connected to the three quarter (3/4) inch type Brass Curb Stop with inlet and outlet for three quarter (3/4) inch type "K" copper service pipe. Such curb stop shall be installed within the strip of Right-of-way between the sidewalk and property line. Curb stops must be located within the public Right-of-way or within a Right-of-way granted to the Village of Essex Junction for access. The corporation stop shall be left open and the curb stop closed. Such curb stop shall be located not less than five (5) feet below the ground surface and shall be accessible from the surface through an approved valve box.
2. Service Connections - The service connections shall be made by installing three quarter (3/4) inch type "K" copper pipe, or approved equal, on the end of the approved brass curb stop and proceeding through the cellar wall to an approved three quarter (3/4) inch ball valve on each side of the meter. Meter space shall be provided between the ball valve. All service connections must be installed to the curb stop for all lots in a subdivision before the streets are paved.

SECTION 115: SANITARY SEWER SPECIFICATIONS. Sewer Mains Polyvinyl Chloride (PVC)

- A. Description. This item shall consist of the excavation and backfilling required for the complete construction of gravity sewers which shall include manholes, service connections and all other appurtenances necessary for a complete Sanitary Sewer System as indicated on the accepted drawings.
- B. Installation. All pipe fittings shall be installed in accordance with Specifications herein, the Contract Drawings and the manufacturer's recommendations. Both ends of all new sewer lines must be closed (capped) during construction to prevent the entry of earth into the sewer system.
- C. Materials:
1. Pipes - For gravity sewers a minimum pipe diameter of eight (8) inches shall be used. Polyvinyl Chloride (PVC) shall meet ASTM Specification D 3034-SDR 35. The nominal laying length of the pipe shall be twenty (20) feet or twelve and a half (12.5) feet.
 2. Joints - The pipes and fittings shall be joined with flexible elastomeric seals meeting the requirements of ASTM D-3212.
 3. Manholes - Pre-cast Reinforced Concrete manholes shall be furnished with reinforced copolymer polypropylene ladder rungs, with a five (5) inch wall thickness, and minimum inside diameter of four (4) feet of all barrel sections, and with a wall thickness varying from five (5) inches at the bottom to eight (8) inches at the top of all cone sections.
 4. Bedding Material - All sewer pipe shall be laid on a six (6) inch layer of three quarter ($\frac{3}{4}$) inch crushed stone so that one hundred (100) percent will pass a three quarter ($\frac{3}{4}$) inch square opening sieve and eighty (80) to one hundred (100) percent will be retained in a No. 4 sieve.
 5. Manhole Frame and Cover - Manhole frames and covers shall be of the form and dimensions shown on the accepted drawings and shall be machined to provide a good tight non-rocking fit and have a minimum weight of four hundred (400) pounds. The cover pattern shall be a diamond pattern with lift holes around the perimeter. These frames and covers shall be the same as those manufactured by C.E. Maguire by LeBaron Foundry - Catalog LC266, Wt. 400#, LC268-1 Self Sealing Frame and Cover, or an approved equal.
- D. Construction Methods
1. Excavations - Excavations shall be made to a point at least six (6) inches below the pipe invert to accommodate the bedding material. All excavations are to be kept dry while pipe is being laid and until each joint and pipe has been inspected by the Engineer and approval given to commence backfilling operations.
 2. Laying Sewer Pipe - The bell end of the pipe shall face upgrade at all times, and be placed in such a position as to make the invert even when the next pipe section is inserted. Where required by adverse grading conditions, the contractor shall fill any gully to make a suitable bedding for the sewer pipe. The fill shall be compacted to a ninety five (95) percent Standard proctor density upon which the six (6) inches of bedding material

shall be placed. Any pipe which is not laid to grade and alignment shall be re-laid to the satisfaction of the engineer. The bedding material shall be placed and compacted on each side of the pipe to a height six (6) inches above the pipe and for the full width of the excavated trench or as shown on the accepted plans.

3. Backfill - Backfill shall consist of approved material placed in six (6) inch layers with each layer being thoroughly compacted to a density of 95% of the maximum dry density using the Standard Proctor Test, according to ASTM D698. Debris, frozen material, large clods or stones, organic matter, or other unstable materials shall not be used for backfill. No stones in excess of one and one half (1.5) inch diameter shall be placed within two (2) feet of the outside of the pipe. Particular precautions shall be taken in placement and compaction of the backfill material in order not to damage and/or break the pipe. The backfill shall be brought up evenly on both sides of the pipe for its full length. Walking or working on the completed pipeline except as may be necessary in tamping or backfilling, shall not be permitted until the trench has been backfilled to a height of at least two (2) feet over the top of the pipe. During construction all openings to the pipe lines shall be protected from contamination by earth or other materials.

4. Manholes - Manholes shall be installed at the end of each line, at all changes in grade, size or alignment of pipe, at all pipe intersections, and at distances not greater than three hundred (300) feet. Pre-cast Reinforced Concrete Manholes shall have the top section set at a grade that will place the riser a minimum of three (3) inches and a maximum of twelve (12) inches from the top of the pre-cast manhole cone. Adjustments shall be made using pre-cast concrete riser rings, expanded polypropylene riser rings, or cast-in-place concrete. Bricks shall not be used. All joints shall be grooved type and shall be fully bedded with mastic seal when setting sections. Lifting holes in all manhole sections shall be filled solid with mortar. No cracked, damaged or defective sections will be allowed in the work. Inlet and outlet pipes shall be joined to the manhole with a rubber-gasketed flexible watertight connection that allows differential settlement of the pipe and manhole wall to take place. If the elevation difference of pipe inverts is twenty four (24) inches or more, a drop manhole shall be provided. Drop manholes shall have an external drop encased in concrete or an internal drop using a drop bowl. If an internal drop is used, the manhole inside diameter shall be increased to a minimum of five (5) feet.

5. Inverts - Inverts may be constructed of red hard burned brick set on edge, or pre-cast concrete.

6. Leakage and Testing - If inspection of the completed sewer or any part thereof shows any pipe, manhole, or joint which allows infiltration of water, the defective work, or material, shall be replaced or repaired as directed by the Engineer. After the sewer has been completed, the contractor shall furnish all labor and materials necessary, and in general, assist the Engineer to conduct such leakage tests at such times and at such locations as the Engineer deems necessary.

(a) Air Testing Procedures:

(i) Plug all openings in the test section.

(ii) Add air until the internal pressure of the line is raised to approximately four (4.0) pounds/square inch (psi) greater than the average pressure of any ground water. After this pressure is reached, allow the pressure to stabilize. The pressure will normally drop as the air temperature stabilizes. This usually takes two (2) to five (5) minutes

depending on the pipe size. The pressure may be reduced to three and one half (3.5) psi before starting the test.

(iii) When the pressure has stabilized and is at or above the starting test pressure of three and one half (3.5) psi above maximum groundwater pressure, start the test. If the pressure drops more than one (1.0) psi during the test time, the line is presumed to have failed the test. If a one (1.0) psi drop does not occur within the test time, the line has passed the test.

(b) Test Time:

(i) The following table shows the required test time, T, in minutes per one hundred (100) feet of pipe for each nominal pipe size. Test times are for a one (1.0) psi pressure drop from three and one half (3.5) to two and one half (2.5) psi.

(ii) If the section of line to be tested includes more than one pipe size, calculate the test time for each size and add the test times to arrive at the total test time for the section.

(iii) It is not necessary to hold the test for the whole period when it is clearly evident that the rate of air loss is less than the allowable.

MINIMUM TEST TIME FOR VARIOUS PIPE SIZES

Nominal Pipe Size (Inches)	T (time) min/100 feet	Nominal Pipe Size (Inches)	T (time) min/100ft
3	0.2	21	3.0
4	0.3	24	3.6
6	0.7	27	4.2
8	1.2	30	4.8
10	1.5	33	5.4
12	1.8	36	6.0
15	2.1	39	6.6
18	2.4	42	7.3

(c) Manholes - All manholes shall be tested for leakage. Manholes shall be tested for leakage in accordance with one of the following:

(i) Water Test - After the manhole has been assembled in place, all lifting holes and exterior joints shall be filled and pointed with an approved non-shrinking mortar. All pipes and other openings into the manhole shall be suitably plugged and the plugs placed to prevent blowout.

(ii) Each manhole shall be checked for exfiltration by filling with water to the top of the cone section. A stabilization period of one (1) hour shall be provided to allow for absorption. At the end of this period, the manhole

shall be refilled to the top of the cone, if necessary, and the measuring time of at least six (6) hours begun. At the end of the test period, the manhole shall be refilled to the top of the cone measuring the volume of water added. This amount shall be converted to a twenty-four (24) hour rate and the leakage determined on the basis of depth. The leakage for each manhole shall not exceed one (1) gallon per vertical foot for a twenty-four (24) hour period for exfiltration and there shall be no visible infiltration.

(d) Vacuum Test - Vacuum testing of manholes shall also be considered acceptable using the following guidelines: The test shall be done after assembly of the manhole. The manhole to pipe connection shall be flexible. A sixty (60) inch/lb. Torque wrench shall be used to tighten the external clamps. All lift holes shall be plugged with a non-shrink mortar, as approved by the Engineer. The seal between manhole sections shall be approved, preformed flexible mastic per ASTM C923. The completed manhole shall not be backfilled prior to testing. Manholes which have been backfilled shall be excavated to expose the entire exterior prior to vacuum testing or the manhole shall be tested for leakage by means of a hydrostatic test. Interior piping and plugs shall be adequately braced to prevent movement. A vacuum of ten (10) inches of Hg shall be drawn within the manhole. The manhole shall pass the test if the vacuum remains between ten (10) inches Hg and nine (9) inches Hg for at least two (2) minutes.

7. Deflection Testing – Deflection tests shall be performed on all flexible pipe after the final backfill has been in place for at least thirty (30) days. The deflection test shall be run using a rigid ball or mandrel having a diameter equal to ninety-five (95) percent of the inside diameter of the pipe. No mechanical pulling devices shall be used during the deflection tests. All pipe not meeting the deflection test shall be re-excavated and replaced at the Contractor's expense.

SECTION 116: SERVICE CONNECTIONS

A. Description. This item shall consist of the installation of individual services from the sewer main to the property line as shown on the accepted drawings. There shall be Sanitary Sewer Service installed for each lot as shown on the Plan. All sewer services must be installed beyond the R.O.W. for all lots in a subdivision before the streets are paved, and before the leakage test on the sewer main is performed.

B. Materials:

1. Pipes - Sanitary sewer services shall have a minimum pipe diameter of four (4) inches and made of the same material as the main sanitary sewer system. All pipe and joints shall meet the specifications set forth for the sewer mains.
2. Bedding Material - All sewer services shall be laid on a six (6) inch layer of three quarter ($\frac{3}{4}$) inch crushed stone.
3. Any tap into existing sewer main shall utilize a new "wye" fitting connected to the existing main with rigid, gasketed couplings. Saddle type connectors shall not be used.

C. Construction Methods

1. Excavation - Same as for sewer main.
2. Laying Sewer Pipe - Same as for sewer main.

3. Backfill - Same as for sewer main.
4. Markers - The end of the service shall be plugged, as recommended by the pipe manufacturer, and marked with a two (2) inch PVC Pipe with both ends capped, which shall extend above the surface of the ground. The bottom of the two (2) inch pipe shall be left at the elevation of the service invert.
5. Leakage and Testing - In conjunction with sewer mains.
6. Seasonal Limits - Same as for sewer mains.

SECTION 117: STORM SEWER SPECIFICATIONS - STORM DRAINS

A. Description. This item shall consist of catch basins, manholes and pipe meeting the specifications for the diameter of pipe required, and installed as indicated on the accepted drawings.

B. Materials:

1. Pipe Specifications:

(a) Polyvinyl chloride pipe:

PVC pipe shall conform in all respects to the latest revision of ASTM specification D3034 or F679 or F794, Type PSM, HDPE ADS N-12 (or equivalent) or PS Polyvinyl Chloride (PVC) Sewer Pipe and Fittings, SDR 35 or Perma-Loc Series 46. Wall thickness of all PVC pipe shall meet ASTM Specifications for SDR 35 or Perma-Loc Series 46 pipe. All pipe and fittings shall be clearly marked as follows:

Manufacturer's Name and Trademark

Nominal pipe size

Material Designation 12454C PVC

Legend "Type PSM SDR 35 PVC Sewer Pipe" or "PS 46 PVC Sewer Pipe"

Designation ASTM D3034, F794 or F679

Joints shall be push-on type using elastic gaskets, and shall conform to ASTM D3212. The gaskets shall be factory installed. The pipe shall be furnished in nominal thirteen (13) foot lengths. Sufficient numbers of short lengths and fully machined fittings shall be provided for use at manholes, chimneys, and connections. All connections will require the use of manufactured fittings. Field fabricated saddle type connections will not be considered acceptable.

Any pipe or fitting having a crack, or other defect, or which has received a severe blow shall be marked rejected and removed at once from the work site.

All field cuts are to be made with saw, at ninety (90) degrees to the pipe centerline. The cut end is to be beveled to the same angle as the factory bevel and all interior burrs are to be removed. A homing mark will be placed on all pipes prior to assembly.

The pipe installed under this specification shall be installed so that the deflection shall be less than five (5) percent as measured a minimum of thirty (30) days after installation.

The Contractor will submit certification that the materials of construction have been sampled, tested, inspected and meet all the requirements including wall thickness in accordance with ASTM D3034 for all pipe and fittings to be included in the project work.

PVC pipe shall not be installed when the temperature drops below thirty-two (32) degrees Fahrenheit or goes above one hundred (100) degrees Fahrenheit.

During cold weather, the flexibility and impact resistance of PVC pipe is reduced. Extra care is required when handling PVC pipe during cold weather.

(b) Smooth Interior and Annular Exterior Corrugated High Density Polyethylene (HDPE) Pipe:

This specification describes four (4) to sixty (60) inch (one hundred (100) to one thousand five hundred (1500) millimeters) Smooth Interior and Annular Exterior Corrugated High Density Polyethylene (HDPE) Pipe with a Silt Tight and Leak Resistant Joint for use in nonpressure gravity flow drainage applications.

(i) AASHTO M252: Standard Specification for Corrugated Polyethylene Pipe, four (4) inches to ten (10) inches (one hundred (100) to two hundred and fifty (250) millimeters), Type S.

(ii) AASHTO M294: Standard Specification for Corrugated Polyethylene Pipe, twelve (12) inches to forty-eight (48) inches (three hundred (300) to one thousand two hundred (1200) millimeters), Type S.

(iii) AASHTO MP7-97: Standard Specification for Corrugated Polyethylene Pipe, fifty-four (54) inches to sixty (60) inches (one thousand three hundred and fifty (1350) to one thousand five hundred (1500) millimeters), Type S.

(iv) ASTM D2321: Standard Practice for Underground Installation of Thermoplastic Pipe for Sewers and Other Gravity-Flow Applications.

(v) ASTM D3350: Standard Specification for Polyethylene Plastic Pipe and Fittings Materials.

(vi) ASTM F477: Standard Specification for Elastomeric Seals (Gaskets) for Joining Plastic Pipe.

(vii) Pipe and fitting material shall be high-density polyethylene meeting ASTM D3350 minimum cell classification 324420C for four (4) through ten (10) inch diameters or 335420C for twelve (12) through sixty (60) inch diameters.

(viii) Pipe manufactured for this specification shall comply with the requirements for test methods, dimensions, and markings found in AASHTO M252, AASHTO M294 and/or AASHTO MP7-97. The prescribed sizes of pipe are nominal inside diameters. Pipe sizes shall be no less than ninety-nine (99) percent of nominal inside diameter and have

a minimum of twenty (20.0) feet laying length.

(ix) For four (4) to ten (10) inch (one hundred (100) to two hundred and fifty (250) millimeter) diameters, the pipe supplied shall be smooth Interior and Annular Exterior Corrugated High Density Polyethylene (HDPE) Pipe meeting the requirements of AASHTO M252, Type S.

(x) For twelve (12) to forty-eight (48) inch (three hundred (300) to one thousand two hundred (1200) millimeter) diameters, the pipe supplied shall be smooth Interior and Annular Exterior Corrugated High Density Polyethylene (HDPE) Pipe meeting the requirements of AASHTO M294, Type S.

(xi) For fifty-four (54) to sixty (60) inch (one thousand three hundred and fifty (1350) to one thousand five hundred (1500) millimeter) diameters, the pipe supplied shall be smooth Interior and Annular Exterior Corrugated High Density Polyethylene (HDPE) Pipe meeting the requirements of AASHTO MP7-97, Type S.

(xii) Manning's "n" value for use in design shall not be less than one hundredth (0.010).

(xiii) Fittings shall conform to AASHTO M252, M294 or MP7-97. Fabricated fittings shall be welded on the interior and exterior at all junctions.

(xiv) Pipe shall be joined with bell-and-spigot joints meeting AASHTO M252, M294 or MP7-97. Joints shall provide silt tight and leak resistant joint.

(xv) Pipe joints shall incorporate a gasket meeting the requirements of ASTM F477 to form silt tight and leak resistant connection. Joints shall exceed the soil tight joint performance criteria of AASHTO Standard Specifications for Highway Bridges, Division II, Section 26.

(xvi) Gaskets shall be installed by the pipe manufacturer and covered with a removable wrap to ensure the gasket is free from debris.

(xvii) A joint lubricant supplied by the manufacturer shall be used on the gasket and bell during assembly.

(xviii) Smooth Interior and Annular Exterior Corrugated HDPE Pipe shall be Sure-Lok F477 as manufactured by Hancor, Inc. or a pre-approved equal. All alternate products must be submitted to the Village Engineer two weeks before bid date for approval.

(xix) Minimum depth of burial shall be as per manufacturing recommendation for the diameter specified.

2. Catch Basins or Manholes: A pre-cast (or cast in place) concrete catch basin or manhole shall be installed at the end of each line, at all changes in grade, size or alignment of pipe, at all pipe intersections, and at distances not greater than three hundred (300) feet.

(a) Catch Basins - The catch basins shall conform to requirements for precast risers and base sections found in ASTM C913, latest edition. The cast iron frame and grate shall be Type D LeBaron #LF 248-2, or equal with a minimum weight of four hundred and eighty (480) pounds. For steep grades, a Type E LeBaron #LK 120A, or equal may be supplemented with a minimum weight of four hundred and thirty (430) pounds. There shall be either a manhole or a catch basin

every three hundred (300) feet on normal slopes to allow for proper cleaning of the lines.

(b) Manholes - The manholes and manhole frames and covers shall conform to the specifications as set forth under Sanitary Sewer Specifications.

(c) Booted connections shall be used for thirty-six (36) inch pipe and smaller.

C. Construction Methods

1. Pipeline Trenches - The trenches and other excavations shall be of sufficient width and depth at all points to allow all pipes to be laid, joints to be formed and structures and appurtenant construction to be built in the most thorough and workmanlike manner and to allow for sheeting and shoring, pumping and draining and for removing and replacing unsuitable material. Trenches and excavations shall be at least twelve inches wider than the outside dimensions of the structure they are to contain; trenches must not be unnecessarily wide so as to materially increase load on the pipe resulting from backfill. Bottoms of trenches and other excavations shall be carried to lines and shapes satisfactory to the Engineer. Bottoms of trenches for pipe shall be carried to a depth six inches greater than grade of pipeline, refilled to grade and bedded in the specified bedding method as detailed on the Detail Plans.

Wherever boulders or ledge rock are encountered in excavations for pipelines or structures, such boulders or ledge rock shall be removed to a depth of six inches below grade and space occupied by them shall be refilled to grade with the specified bedding material. Trenches shall be opened at such times and to such extent only as may be permitted by the Engineer. All driveways, crosswalks, sod, shrubs, trees and any other surface material affected by the work shall be carefully taken up and kept separate from the other excavated material. If suitable, excavated material shall be used for embankments, backfill and fill. Side slopes of excavations shall be less than the angle of repose of material excavated and shall be flat enough to prevent slides or cave-ins. Any excavation required as a result of slides or cave-ins shall be done by the Contractor at his own expense.

Placement of bedding material shall not be done until the ground has been thoroughly dewatered and the Contractor is ready to install pipe or to construct foundations of various structures.

The total running length of trench allowed to be open shall be kept as short as is practical. Only that length of trench which can be protected by means of barricades, fences, and the like shall be allowed to remain open overnight. All trench excavations shall be backfilled prior to work shut-down for each weekend.

2. Pipe Laying - Storm drains and culverts shall be constructed on a trench bottom prepared and bedded as shown on the Detail Plans. Each pipe shall be checked just prior to laying to ensure that it is clear of all dirt and debris and shall be laid true to line and grade. All joints shall be tight and inverts shall be continuous. When pipe is to be laid within the State Highway Right-of-way it shall also be installed in accordance with requirements of Section 601 of the Vermont Highway Department Specifications.

Metal pipe shall be firmly joined with coupling bands, concrete and PVC and HDPE pipe joints shall be rubber gasket type. PVC and HDPE pipe shall be bedded from the trench bottom, six (6) inches below the invert of the pipe, to six (6) inches above the crown of the pipe with approved granular pipe bedding.

3. Backfilling Trenches - Frozen material shall not be placed in backfills and

backfills shall not be placed on frozen material. No stones in excess of three (3) inches diameter shall be placed within two (2) feet of the pipe. Larger stones may be used in the backfill provided care is taken that stones do not become nested and that all voids between stones are completely filled with fine materials. The size and quantities of stone used in backfill will be subject to approval by the Engineer. No backfill shall be dropped from a height of more than three (3) feet from the top of the pipe.

The backfill shall consist of two separate zones:

(a) The first zone shall extend from the top of the bedding material to a height of twenty-four (24) inches above the crown of the pipe. Select excavated material with stones no larger than three (3) inch diameter shall be placed in six (6) inch lifts and compacted to a density of ninety five (95) percent of the maximum dry density using the Standard Proctor Test, according to ASTM D698 or AASHTO T99 (latest version). The materials shall be placed carefully so as not to disturb the pipe or cause it to break or misalign.

(b) The second zone shall extend from the top of the first zone to within four (4) inches of finished grade or to road subgrade. Material in this zone shall be select excavated material, placed in six (6) inch lifts and compacted to a density of ninety five (95) percent of maximum dry density using the Standard Proctor Test, according to ASTM D698 or AASHTO T99 (latest version). Suitable cohesive soil can be backfilled in this zone and compacted using impact type equipment, pneumatic tampers, engine or self-propelled, sheepsfoot rollers on wide trenches or other suitable equipment, providing the ninety five (95) percent compaction requirement is met. In cohesionless soils, vibratory plates in confined areas and vibratory rollers in unconfined areas can be utilized, providing the specified degree of compaction is met. Granular cohesionless material may, in some cases and upon approval of the Engineer, be compacted using water jetting or immersion type vibrators with flooding and pooling.

4. Installing Catch Basins and Manholes - All construction of sewer manholes must be carried out to ensure watertight work. Any leaks in manholes shall be completely repaired to the satisfaction of the Village Engineer or the entire structure shall be removed and rebuilt. All manhole lift holes shall be grouted inside and out with expandable grout. The pipe opening in the precast manhole riser shall have a cast-in-place flexible gasket or an equivalent system for pipe installation, as approved by the Village Engineer. Joints between manhole risers shall be soft butyl joint sealer (rope form). Joints between pipes and catch basin base sections shall be sealed with boots for pipes thirty-six (36) inch diameter or smaller and with cement mortar for pipes larger than thirty-six (36) inch diameter, smoothed on the inside and built up with a heavy bed of excess mortar on the outside. Frames shall be brought to grade with precast concrete riser rings, expanded polypropylene riser rings, or cast-in-place concrete, and shall be set in a full bed of mortar. In roadways, the frames shall be set to final grade only after the base course paving has been completed.

SECTION 118: RESTRICTIONS AND CONDITIONS OF RIGHT-OF-WAY

All work relating to the Village of Essex Junction Rights-of-way shall be approved by authorized official before any construction commences.

A. Laying of Pipes, Conduits:

1. After any pipes, conduits, drains or other underground structures are laid, or any excavation is made in the roadway, the trenches or openings shall be properly backfilled with suitable material; the backfill shall be thoroughly tamped, and the surface of the road over said structures shall be left even with the adjoining ground. If the work is done in cold weather, no frozen material shall be used for backfilling.
 2. Whenever the hardened surface of the roadway, gutters or any part of the surface of the highway is disturbed it shall be replaced in as good condition as before it was disturbed, and if new materials are required they shall correspond with those already in place on the road.
 3. Where service pipes are to cross the highway the connections shall be made without disturbing the hardened surface of the roadway, fabric or underdrain, by driving the pipes under the roadway, or the service pipes shall be carried under and across the road in a large pipe, unless otherwise ordered by the Engineer.
 4. All repairs to Village facilities within the Right-of-way will be provided with a one (1) year warranty.
- B. Poles, Wires, Overhead Structures, and Cutting and Trimming of Trees:
1. No trees, fences, phone booths, or other structures shall be erected in the Right-of-way unless authorized by the Village. All mail boxes, telephone, and electric utility boxes shall be located at least three (3) feet outside the edge of the sidewalk. All above ground utility boxes shall be landscaped with evergreen shrubs that will not exceed the height of the utility box by more than one (1) foot when mature.
 2. No structure except for the street lights shall be erected in the Right-of-way within fifty (50) feet of an intersection. This includes above ground utility boxes.
- C. General Conditions:
1. During the progress of the work all structures underground and above ground shall be properly protected from damage or injury; such barrier shall be erected and maintained as may be necessary for the protection of the traveling public; the same shall be properly lighted at night; and the party or parties shall be responsible for all damages to persons or property due to or resulting from any work done.
 2. All utilities in new subdivisions shall be underground, including electric, cable TV, telephone, and other wires. All utilities, including gas and electric, shall be installed in the Right-of-way prior to the installation of underdrain, fabric, sub-base or paving of the street.
- D. Street Lights. Street lights shall be located as specified in Section 704 of this Code.

SECTION 119: INSPECTION

These inspections shall be required of the Developer and work shall not proceed until each check has been made with work reviewed by the Village Engineer. The developer pays for the cost of all of these inspections.

- A. Streets, Curbs and Sidewalks:
1. Stake out

2. Completion of subgrade
 3. Completion of base courses
 4. Completion of Surface
- B. Storm Drainage Systems:
1. Stake out
 2. Pipe laid - prior to any backfilling
 3. Connections to structures
 4. Completion of backfill to within two (2) feet of subgrade
 5. Completion of backfilling
- C. Sewer System:
1. Stake out
 2. Pipe laid - prior to any backfill
 3. Connections to structure or piping
 4. Completion of backfill to with two (2) feet of subgrade
 5. Completion of backfilling
 6. Lamping of pipe runs
 7. Testing
 8. Mandrel testing
 9. Initial operation
 10. Completion of appurtenances
- D. Water Mains
1. Stake out
 2. Connection to existing mains
 3. Pipe laid and thrust blocks cast - prior to any backfill
 4. Completion of backfill to within two (2) feet of subgrade
 5. Completion of backfilling
 6. Pressure and leakage tests
 7. Disinfection
 8. Initial operation
 9. Completion of appurtenances

SECTION 120: FINAL INSPECTION CHECK LIST

- A. Streets, Curbs, and Sidewalks:
1. Settlement, depression or imperfections in finish surface
 2. All required monuments and front boundary line markers installed.
 3. Seeding and erosion control on cut and fill slopes
 4. Surface drainage (during rainstorm)
 5. General appearance
 6. Material testing results, lab reports and record drawings complete and on file
- B. Storm Drainage Systems:
1. Catch basins, manholes and pipe lines clean
 2. Ditches and outlets clean

3. Erosion control measures completed
 4. General appearance
 5. Material testing results, lab reports, manufacturer's certificates, and record drawings complete and on file
- C. Sewer System:
1. Manholes, pipe lines and appurtenances clean
 2. Inverts and shelves completed to plans with smooth transitions
 3. Manhole frames and covers set at proper elevation
 4. General appearance
 5. Material testing results, lab reports, manufacturer's certificate, leakage test results for pipe and manholes, and mandrel deflection tests complete and on file
- D. Water System:
1. Valves, hydrants and curb stops operating properly
 2. Valve box covers and curb boxes set at proper elevations
 3. General appearance
 4. Tie information and record drawing complete
 5. Material testing results, lab reports, manufacturer's certificates, pressures and leakage test results and disinfection test results are complete and on file
- E. As Built Plans:
1. One set of mylars and two paper copies of plans showing all as built utilities, and water and sewer house connections must be submitted to the Village Engineer by the developer in accordance with Chapter 9. In addition, the developer shall provide to the Village the record drawings in an AutoCAD™ compatible electronic format; as well as a complete set of the record drawings in PDF format.

SECTION 121: VARIATIONS AND WAIVERS

Requests for waivers of any provisions of this Chapter, or for approval of variations to those provisions, shall be submitted to the Village Engineer in writing, along with technical information supporting the request. The Village Engineer must approve, modify, or deny such requests, and all decisions by the Village Engineer shall be in writing.

APPENDIX B: FEE SCHEDULE

Effective Date: January 1, 2016

NOTE: ALL FEES ARE DUE UPON SUBMITTAL OF APPLICATIONS. APPLICATIONS SHALL NOT BE CONSIDERED COMPLETE NOR RECEIVED WITHOUT PAYMENT OF REQUIRED FEES. ALL FEES WILL BE ACCORDING TO THE CURRENT VILLAGE FEE SCHEDULE AT THE TIME THE APPLICATION IS SUBMITTED AND APPROVED, FEES ARE NON-REFUNDABLE. ALL APPLICATION FEES SHALL BE DOUBLE THE AMOUNT LISTED BELOW FOR APPLICATIONS SUBMITTED AFTER THE ACTIVITY HAS COMMENCED FOR WHICH APPROVAL IS BEING SOUGHT WITH THE EXCEPTION OF SCHOOL IMPACT FEES, SEWER AND WATER FEES.

SUBDIVISION APPLICATION:

A \$10 per application recording fee will be assessed in addition to the following fees.

	<u>FEES</u>
Boundary Line Adjustments	\$100
Lot Consolidation or Vacation of Property Line	\$100
Subdivision, Conventional ¹	
A. Sketch Plan	\$50 per lot/unit
B. Preliminary Plat	\$50 per lot/unit
C. Final Plat	\$100 per lot/unit
Planned Residential Development ¹	
A. Conceptual Plan	\$50 per lot/unit
B. Preliminary Plan	\$50 per lot/unit
C. Final Plan	\$100 per lot/unit
Planned Commercial Development ¹	
A. Conceptual Plan	\$.10 per sf
B. Preliminary Plan	\$.10 per sf
C. Final Plan	\$.15 per sf
Agriculture Planned Development ¹	
A. Conceptual Plan	\$50 per lot/unit
B. Preliminary Plan	\$50 per lot/unit
C. Final Plan	\$100 per lot/unit
Amendments ²	
A. Subdivisions	\$200
B. Planned Development	
1. Major	\$250
2. Minor	\$150
3. Minimal	\$50

EXPOSITION CENTER PLANNED DEVELOPMENT:

A \$10 per application recording fee will be assessed in addition to the following fees.

Conceptual Plan	\$150
Major Activities Permit	\$300
Annual Activities Permit	\$750
Temporary Activities Permit	\$100
Concert Application	\$200

¹If combination application for Planned Development and Subdivision Review, only one application fee is required. Fees charged will be the higher of each individual fee.

²Fee based on area affected by proposed amendment.

SITE PLAN APPLICATION:

A \$10 per application recording fee will be assessed in addition to the following fees.

Commercial and Industrial

- A. Conceptual Plan \$150
- B. Less than 1,000 sq. ft. of improved area \$200
- C. 1,001 to 2,500 sq. ft. of improved area \$300
- D. 2,501 to 5,000 sq. ft. of improved area \$500
- E. 5,001 to 10,000 sq. ft. of improved area \$750
- F. Greater than 10,000 sq. ft. of improved area \$1000
- G. Design Review (no increase in footprint) \$250

Residential

- A. Multi-Family, Townhouse, Duplex, Apartments \$100 per unit
- B. Accessory Apartments \$200
- C. Conceptual Plan \$150

Public and Semi-Public³

- A. Less than 1,000 sq. ft. of improved area \$150
- B. 1,001 to 2,500 sq. ft. of improved area \$.10 per sf
- C. 2,501 sq. ft. to 5,000 sq. ft. of improved area \$.10 per sf
- D. 5,001 to 10,000 sq. ft. of improved area \$.10 per sf
- E. Greater than 10,000 sq. ft. of improved area \$.10 per sf
- F. Greater than 100,000 sq. ft. of improved area \$ 10,000

Land Disturbance Only

\$.10 per sf

Amendments

- A. Major \$150
- B. Minor \$100

ENGINEER PLAN REVIEW AND INSPECTIONS

The applicant will pay the actual cost for engineering plan review and construction inspections by the Village Engineer. The Village Engineer will bill the municipality for services rendered and the municipality will bill the applicant. All bills for plan review must be paid in full prior to the issuance of a zoning permit for the project. All inspection fees must be paid prior to the issuance of a Certificate of Occupancy for the Project (For larger projects the fee must be paid prior to the issuance of a final Certificate of Occupancy).

CONDITIONAL USE AND SPECIAL USE PERMIT:

A \$10 per application recording fee will be assessed in addition to the following fees.

- Conditional Use \$200
- Special Use \$200

SIGN PERMIT:

A \$10 per application recording fee will be assessed in addition to the following fees.

- Temporary Sign No Fee
- Temporary Sign in Right-of-Way \$25

³Fees shall be waived for projects paid for by the Village of Essex Junction General Fund and for projects in Village parks, but all associated recording fees shall be paid.

Wall Sign	\$35
Projecting Sign	\$35
Freestanding Sign	\$35
Home Occupation Sign	\$25

ZONING/BUILDING PERMIT:

A \$10 per application recording fee will be assessed in addition to the following fees.

Commercial and Industrial

A. Less than 1,000 sq. ft. of improved area	\$150
B. 1,001 to 2,500 sq. ft. of improved area	\$150 or .10/sf whichever is greater
C. 2,501 to 5,000 sq. ft. of improved area	\$.10 per sf
D. 5,001 to 10,000 sq. ft. of improved area	\$.10 per sf
E. Greater than 10,000 sq. ft. of improved area	\$.10 per sf
F. Greater than 100,000 sq. ft. of improved area	\$10,000
F. Design Review (no increase in footprint)	\$200

Residential

A. Single Family Detached	
1. New Principal Dwelling	\$200
2. Addition	
a. Less than 500 sq. ft.	\$50
b. 500 sq. ft or greater	\$100
3. Accessory Structures	
a. Detached Garage	\$60
b. Storage Sheds, Decks, Swimming Pools, Driveways, etc.	\$25
B. Accessory Apartments	\$100
C. Multi-Family, Townhouse, Duplex, Apartments	\$200/unit
D. Land Filling/Regrading	\$100

Public and Semi-Public³

A. Less than 1,000 sq. ft. of improved area	\$150
B. 1,001 to 2,500 sq. ft. of improved area	\$150 or .10/sf whichever is greater
C. 2,501 to 5,000 sq. ft. of improved area	\$.10 per sf
D. 5,001 to 10,000 sq. ft. of improved area	\$.10 per sf
E. Greater than 10,000 sq. ft. of improved area	\$.10 per sf
F. Greater than 100,000 sq. ft. of improved area	\$10,000

New Use or Change of Use	\$150
Demolition or Relocation	\$150
Home Occupation	\$35
Certificate of Occupancy	\$35
Temporary Certificate of Occupancy	\$35

TEMPORARY USE, STRUCTURE OR ACTIVITY PERMIT

Temporary Use	\$50
Temporary Sale of Vehicles	\$50
Temporary Structure	\$50
Sidewalk or Tent Sale, Commercial	\$50

Yard or Garage Sale	No Fee
Peddlers, Door to Door	\$25
Move Structure on Village Streets	\$100

EXCAVATION AND RIGHT-OF-WAY PERMIT

Excavation permits are classified as major or minor permits.

Major Excavation Permit \$100.00 per project application

Major Excavation Permit is issued for work within the public right-of-way which will disturb the roadbed, pavement, sidewalk or curbing.

If the cut is under 100 sq. ft., the Public Works Department will perform the repair and bill the applicant for the time and material costs (see PUBLIC WORKS TIME AND MATERIALS FEE SCHEDULE) or as otherwise agreed to by the Public Works Superintendent.

If the cut is over 100 sq. ft., the applicant will be required to hire a qualified contractor to make the repair in accordance with Essex Junction Public Works specifications.

Minor Excavation Permit \$30.00 per project application

Minor Excavation Permit is for other work within the right-of-way which will not disturb the roadbed, pavement, sidewalk, or curbing.

NOTE: Excavations for water and sewer services are not included in the fees for WATER SERVICE and SEWER SERVICE

SEWER SERVICE

Municipal	\$1,000/new unit
Private Septic System	
A. Conventional	\$100
B. Mound	\$150
Private Packaged Treatment System	\$250

WATER SERVICE

Tap, Curb Stop, Meter and Final Installation to be done by the Municipality. Excavation provided by the applicant. Meter will be supplied by the Municipality.

A. 3/4" Service (existing curb stop)	\$550 per meter
B. 3/4" Service, tap and curb stop	\$650 per meter
C. 1" Service, tap and curb stop	\$700 per meter
D. 1½" Service, tap and curb stop	\$1,100 per meter
E. 2" Service	\$1,400 per meter
New 5/8" meter without tap or replace existing 5/8" meter	\$300 per meter

For a Meter Above 2"

Tap, Gate Valve, Installation of the Meter, and Excavation shall be done by the applicant under the supervision of the Village Engineer. If a metering vault is required, it shall be the responsibility of the applicant. The Municipality will purchase the meter and provide it to the applicant at cost, plus \$500.

Water meter test - 5/8" to 1½" meter	One hour cost of labor
Water meter test - large meter	Cost

NOTE: If meter is defective there is no charge for meter test

Shut water off at curb stop - Regular time	\$10
Turn water on at curb stop - Regular time	\$10
Turn on or shut off during overtime hours per call-in	\$100
These rates shall not apply to delinquent account reconnections, which shall be in accordance with the maximum amount allowed by Vermont state law.	

OTHER PERMITS AND FEES

Written Administrative Determinations	\$25
---------------------------------------	------

RELIEF AND APPEALS

Appeal of Administrative Determination	\$100
Appeal of Staff Decision to Zoning Board of Adjustment	\$100
Appeal of Staff Decision to Planning Commission	\$100
Appeal of Staff Decision to Board of Trustees	\$100
Request for Variance	\$100
Waivers to General Development Standards	\$100
Waivers to Subdivision Standards	\$100
Waivers to Public Works Standards	\$100

COPY FEES

Text

A. Comprehensive Plan	Cost
B. Developers Handbook	\$5
C. Unified Development Code	Cost

Photo Copies

A. 8 ½ X 11 (each side)	\$0.10
B. 11 X 14 (each side)	\$0.25
C. 11 X 17 (each side)	\$0.25

Maps

A. Village Map	\$1.50
B. Plats, Large Maps	\$5

PUBLIC WORKS TIME AND MATERIALS FEE SCHEDULE

Labor - Regular Time	\$25/hr
Labor - Overtime	\$37.50/hr set at true 1.5 times OT
Materials	Cost
Compactor	\$10/hr
Compressor	\$15/hr
Dump Truck	\$25/hr
Loader	\$35/hr
Pickup Truck	\$10/hr
Roller	\$10/hr
Sweeper	\$55/hr
Trailer	\$10/hr
Power broom	\$10/hr
Loader backhoe	\$50/hr

APPENDIX C: TRUSTEES POLICY FOR FUNDING ENGINEER PLAN REVIEW AND INSPECTIONS

Engineering Plan Review and Inspections Policy

Upon adoption of this policy applicants will now be required to pay the actual cost for engineering plan review and inspections. The Village Engineer will bill the municipality for services rendered and the municipality will then bill the applicant based on the actual cost of providing engineering plan review and construction inspection.

Plan Review

All bills for plan review are due prior to the issuance of the first zoning permit for a project. A zoning permit will not be issued until all costs for engineering plan review have been paid. The Village reserves the right to deny issuance of a zoning permit until the fees for engineering plan review have been paid. The applicant must also pay for engineering review for any site plan amendments that require engineering review. A zoning permit will not be issued for a site plan amendment until all engineering bills have been paid. The municipality will provide the applicant with a bill for engineer plan review including the number of hours spent on review.

Inspections

The applicant must pay for all costs for construction inspection by the Village Engineer. All current bills must be paid before a certificate of occupancy can be issued. For projects that involve residential units being constructed over time, no certificate of occupancy will be issued unless all current bills for construction inspection have been paid. The Village Engineer, at his/her discretion, may allow applicants to use their own project engineer to conduct construction testing upon determination the project engineer is qualified to do so. The applicant will be required to provide all testing data to the Village Engineer for review and approval and shall pay for all costs of the Village Engineer's time to review the testing data.

The Village of Essex Junction reserves the right to deny issuance of a certificate of occupancy until all current engineering bills have been paid. The Village engineer will provide the applicant with a bill including the number of hours spent on inspection and what was inspected.

Summary

The following is a summary of the policy for funding engineering plan review and construction inspections:

- The applicant is responsible for payment of all costs for engineering plan review
- All bills for engineering review must be paid prior to the issuance of the first zoning permit
- The applicant is responsible for the payment of all costs for construction inspection
- The Village will provide applicants with an engineering bill including the costs and hours spent on review
- All current bills for construction inspection must be paid prior to the issuance of a certificate of occupancy. All bills for construction inspection must be paid prior to the issuance of the last certificate of occupancy
- The Village of Essex Junction reserves the right to withhold issuance of a zoning permit of certificate of occupancy if there are outstanding bills for engineering services
- The Village Engineer, at his/her discretion, may allow applicants to use their own project engineer to conduct construction testing upon determination the project engineer is qualified to so. The applicant shall pay for the cost for the Village Engineer to review and approve the testing data

APPENDIX D: TRUSTEES POLICY FOR FUNDING DEVELOPMENT REVIEW BY THE VILLAGE ATTORNEY

Village Attorney Development Review

Upon adoption of this policy applicants will now be required to pay the actual cost for review of development proposals by the Village Attorney including, but not limited to homeowners association documents, condominium documents, easements and street dedications. The Village Attorney will bill the municipality for services rendered and the municipality will then bill the applicant based on the actual cost of providing legal review.

Plan and Document Review

All bills for plan and document review are due prior to the issuance of the first zoning permit for a project. A zoning permit will not be issued until all costs for legal plan review have been paid. The Village reserves the right to deny issuance of a zoning permit until the fees for legal review have been paid. The applicant must also pay for legal review for any site plan amendments that require legal review. A zoning permit will not be issued for a site plan amendment until all bills have been paid. The municipality will provide the applicant with a bill for legal review including the number of hours spent on review.

The Village of Essex Junction reserves the right to deny issuance of a certificate of occupancy until all current legal bills have been paid. The Village Attorney will provide the applicant with a bill including the number of hours spent on review of the legal documents.

Summary

The following is a summary of the policy for funding legal plan and document review:

- The applicant is responsible for payment of all costs for legal plan review.
- All bills for legal review must be paid prior to the issuance of the first zoning permit.
- The Village will provide applicants with a legal bill including the costs and hours spent on review.
- The Village of Essex Junction reserves the right to withhold issuance of a zoning permit or certificate of occupancy if there are outstanding bills for legal services.

DISTRICT LOT REQUIREMENTS

Zoning District	Min. Lot sq. ft.	Max Lot Coverage	Front Setback	Side Setback	Rear Setback
R-1	15,000 DU	40% Maximum 25% Buildings	20'	8'	25'
R-2	7,500 DU	40% Maximum 25% Buildings	15'	8'	P 25' A 15'
M-F1	7,500 1 st DU 5,000 add. DU	50%	30'	10'	10'
M-F2	7,500 1 st DU, 2,500 add. DU	50%	15'	10'	10'
M-F3	7,500 1 st DU 3,000 add. DU max. 3 DU	40%	30'	10'	10'
VC	5,000	Review	0'	0'	0'
HA	10,000	65% (80% with waiver)	20'	10'	10'
MF-MU1	15,000	65% (80% with waiver)	20' Minimum 30' Maximum	10'	10'
MF-MU2	15,000 - 15 units per acre	65% (80% with waiver)	20' Minimum 30' Maximum	10'	10'
R/O	7,500 1 st DU 500 add. DU; max. 4 DU	40%	20'	8'	8'
TOD	5,000	100%	20' Maximum	0'	0'
OS	3 acres	20%	ag 40' other 50'	20' 50'	20' 50'
PE	100 acres	40%	20' commercial 50' residential	20' commercial 50' residential	20' commercial 50' residential
PA	15,000	30%	30'	10'	10'
MCU	15,000	65% (80% with waiver)	20'	10'	10'
LI	10,000	65%	100'	50'	50'

LOT FRONTAGE 60'

DU = Dwelling(s)
 P = Principle structure
 A = Accessory structure
 Ag = Agricultural use

R-1 (Residential): Acorn, Aspen, Athens, Beech, Birch, Briar, Brookside, Chestnut, Corduroy, Countryside, Crestview, Drury, Fairview, Francis, Hawthorn, Hubbell's Falls, Juniper Ridge, Kiln, Locust, *Main, Mansfield (odd #'s), Maple (from Mansfield to Village limits), Maple St. Ext., Maplewood, Mason, Meadow Terrace, *Old Colchester, Rivendell, Rosewood, Shawn's Way, Spruce, Sweetwater, Sycamore, Taft, Tamarack, Tiffany, Upland, Vale, Walnut, Whipple, Woods End, Woodstock.

R-2 (Residential): Abnaki, Adams, Algonquin, Arlington, Brooks, Brownell, Camp, Cascade Ct., Cascade St., Cascadnac, Cherokee, Cherry, Clems, Curtis, Doon, *East, E. Williams, Edgewood, Elm, Grandview, Grant, Greenwood, *Grove, Hiawatha, Hillcrest, Huron, Iroquois, Jackson, Jones, KarsynReece, Killoran, Kings Ct., *Lamoille, Lillia, Loubier, Mansfield (even #'s), McGregor, Mohawk, Murray, Nahma, Nicholas Ct., North, N. Hillcrest, Oneida, Onondaga, Orchard, Owaissa, Park Ave., *Park St., *Pearl, Pine, Poplar, Prospect, Red Barn Rd., Redwood, Roscoe Ct., Rotunda, Seneca, *Sienna, *Silverbow Terr., South, South Hill, South Hill Lane, South Summit, Southview, St. James Place, Stanton, Summit, Villa, Warner, Waverly, Wenonah, *West Street, West Hillcrest, Williams, *Willey's Ct., *Wrisley Ct., Wrisley St.

***Check zoning map, not all properties on these streets in designated zone.**

**SECTION 620
USE TABLE**

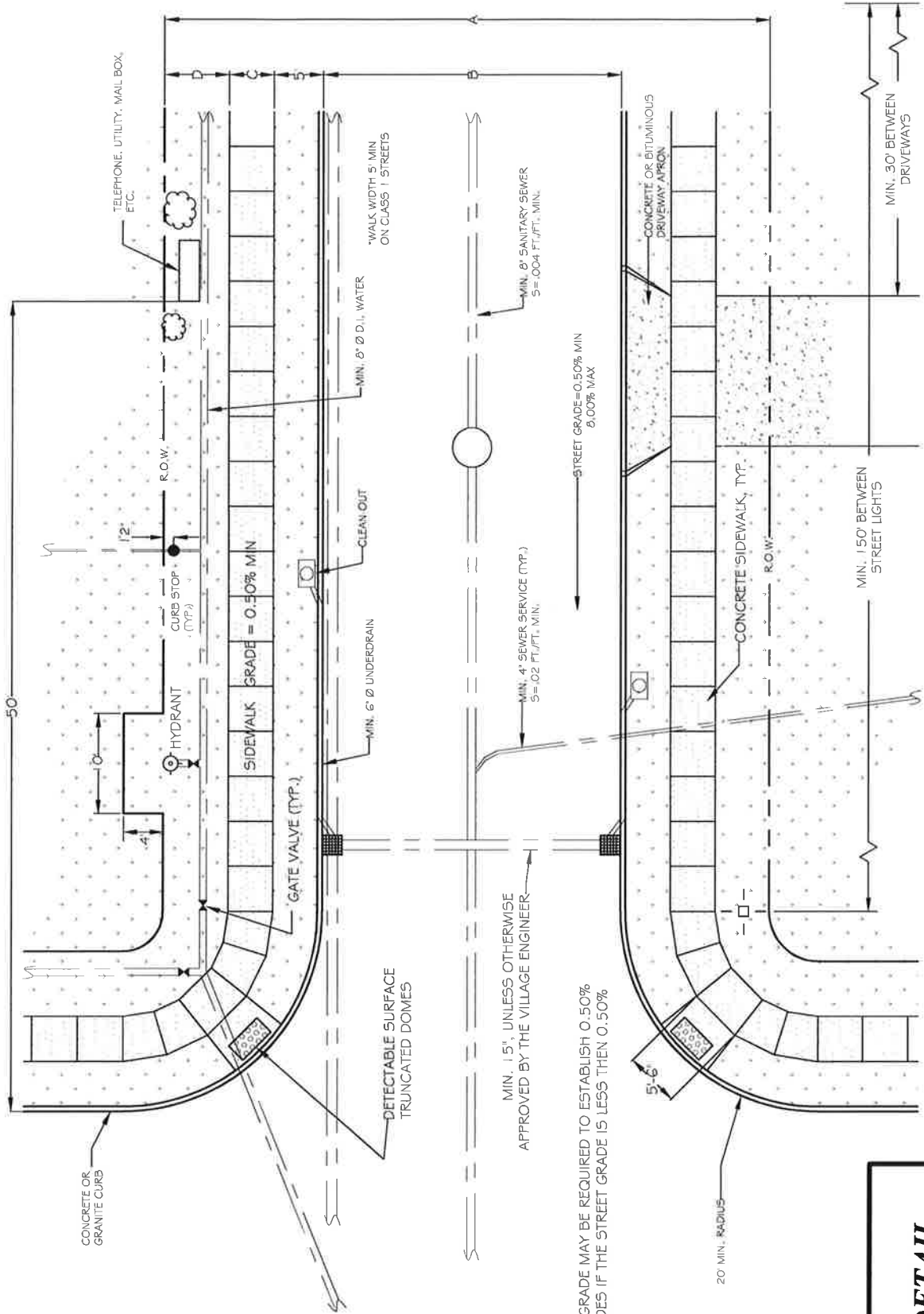
DISTRICT/ USE	R1	R2	MF1	MF2	MF3	MCU	LI	MF- MU1	MF- MU2	NLSO	TOD	HA	RO	VC	PE	PA	OS
SINGLE FAMILY DWELLING	X	X	X	X	X	X		X	X				X	X		X	
TWO FAMILY DWELLING			X	X	X	X		X	X				X	X		X	
THREE FAMILY DWELLING			X	X	X	X		X	X		X		X	X		X	
FOUR FAMILY DWELLING			X	X	X	X		X	X		X		X	X		X	
MULTIFAMILY DWELLING			X	X	X	X		X	X		X	X		X		X	
AGRICULTURE																X	
AGRICULTURE PRODUCTS SALES															S	X	
ANIMAL BOARDING FACILITY															C	X	
ANIMAL EXHIBITS															S	C	
ANIMAL SHELTER	X	X	X	X	X	X	X			X			X		X	X	
ANTENNA TOWER							X										
BANK						X		X	X		X	X		X			
BANK W/ DRIVE THROUGH					X	X		X	X		X	X		X			
BED AND BREAKFAST	X	X	X	X	X	X		X	X		X	X	X	X		X	
BOARDING HOUSE	C	C	C	C	C	X		C	C		X	C	C	X			
BUILDING MATERIALS ESTABLISHMENT						X	X			X		X					
BUSINESS SERVICE						X		X	X		X	X	C	X		X	

DISTRICT/ USE	R1	R2	MF1	MF2	MF3	MCU	LJ	MF- MU1	MF- MU2	NLSO	TOD	HA	RO	VC	PE	PA	OS
CAR WASH, INCIDENTAL															S		
CAR WASH												X					
CATERING SERVICES						X	C	X	X		X	X	C	X			
CHURCH	X	X	X	X	X	X		X	X		X	X	X	X	X	X	
CIRCUS, CARNIVAL						X									S		
CLINIC, MEDICAL						X	X	X	X	X	X	X		X			
CLINIC, VETERINARY						X		X	X		X	X				X	
CONGREGATE HOUSING	C	C	X	X	X	X		X	X		X		X	X		X	
CONSTRUCTION SERVICES ESTABLISHMENT						X	X				C						
CULTURAL FACILITY						X		X	X		X	X	S	X	S		
DAY CARE HOME	X	X	X	X	X	X		X	X		X	X	X	X			
DAY CARE FACILITY	C	C	C	C	C	X	C	X	X		X		C	C	C		
DORMITORY						X		X	X		S	X		C			
DRY CLEANER						X	X	X	X		X	X					
EATING ESTABLISHMENT DRIVE THROUGH											X	X					
EATING AND DRINKING ESTABLISHMENT						X	X	X	X		X	X		X	S		
FAMILY CARE HOME	X	X	X	X	X	X		X	X		X	X	X	X			
FAMILY CARE FACILITY	C	C	C	C	C	C	C	X	X		S	X	C	C	C		

DISTRICT/ USE	R1	R2	MF1	MF2	MF3	MCU	LI	MF-MU1	MF-MU2	NLSO	TOD	HA	RO	VC	PE	PA	OS
FLEA MARKET						X				X					X		
FREIGHT RAIL DISTRIBUTION CENTER							X										
FUNERAL HOME						X				X			C	X			
GAS PUMPS											C	C					
GROUP HOUSING	C	C	C	C	C	X				X				X			
HOME OCCUPATION	X	X	X	X	X	X		X	X		X	X	X	X			
HOTEL, MOTEL - EXTENDED STAY						X		X	X		X	X		X	C		
HOTEL, MOTEL						X		X	X		X	X		X	C		
JUNK YARD																	
LANDFILL COLLECTION SITE							C									C	
LANDSCAPE SERVICE						X	X			X						X	
MAIL SERVICES						X		X	X		X	X		X			
MANUFACTURING - LIGHT						C	X				X	X					
MANUFACTURING - HEAVY							C										
MASSAGE THERAPY	C	C	C	C	C	C		C	C		C	C	C	C		C	
MEDICAL AND DENTAL LAB						C	X	C	C		X	X	C	C			
MINI-WAREHOUSE						C	X			X							
MOTOR VEHICLE MAINTENANCE SERVICE							C			X		X					

DISTRICT/ USE	R1	R2	MF1	MF2	MF3	MCU	LI	MF-MU1	MF-MU2	NLSO	TOD	HA	RO	VC	PE	PA	OS
MOTOR VEHICLE REPAIR SERVICES							C					X					
NURSING, REST, CONVALESCENT HOME	C	C	C	C	C			X	X		X					C	
OFFICE, HOME	X	X	X	X	X								X	X		X	
OFFICE, PROFESSIONAL						X	X	X	X		X	X	C	X	S		
PARKING, COMMERCIAL						X	X				X			X	S		
PERSONAL SERVICES ESTABLISHMENT						X		X	X		X	X	C	X			
PRIVATE COMMUNITY USE	C	C	C	C	C	X		X	X		X	X		X		X	
RECREATION USE, LOW INTENSITY	X	X	X	X	X	X	X	X	X		X	X	X	X	S	X	X
RECREATION USE, HIGH INTENSITY						X		X	X		X	X			S		
RECREATION USE MEDIUM INTENSITY						X		X	X		X	X		X	S		
RECREATIONAL VEHICLE SITE										X					S		
RECYCLING CENTER							C			X					C	C	
REPAIR SERVICES ESTABLISHMENT							X	X	X	X	X	X					
RETAIL SALES W/ DRIVE-THROUGH						C	X	X	X		X	X		X	S		
RETAIL SALES						X	X	X	X		X	X		X	S		
ROADSIDE SALE OF AGRICULTURAL PRODUCTS																X	C

DISTRICT/ USE	R1	R2	MF1	MF2	MF3	MCU	LI	MF-MU1	MF-MU2	NLSO	TOD	HA	RO	VC	PE	PA	OS
SALES, TEMPORARY						X		X	X		X	X		X	S		
SALES, OUTDOORS						X				X				X	S		
SCHOOLS	X	X	X	X	X	X		X	X		X	X	X	X	X	X	X
SHOPPING CENTER						X					X			X			
SMALL SCALE WIRELESS FACILITY						X	X	X	X	X	X	X	X	X	X		
SOLID WASTE COLLECTION POINT							C								C	C	
STABLE, PUBLIC															S	X	
STORAGE, OUTDOOR							X			X					S		
TAXI-CAB LIMOUSINE SERVICE						C	C			X				C	S		
TRANSIT PARK AND RIDE											X				X		
VEHICLE SALES												C			S		
WAREHOUSE						C	X			X		C					
WIRELESS TELE-COMMUNICATIONS FACILITY						C	C	C	C		C	C			C		



"ROLLING" THE SIDEWALK GRADE MAY BE REQUIRED TO ESTABLISH 0.50% MINIMUM SIDEWALK GRADES IF THE STREET GRADE IS LESS THAN 0.50%

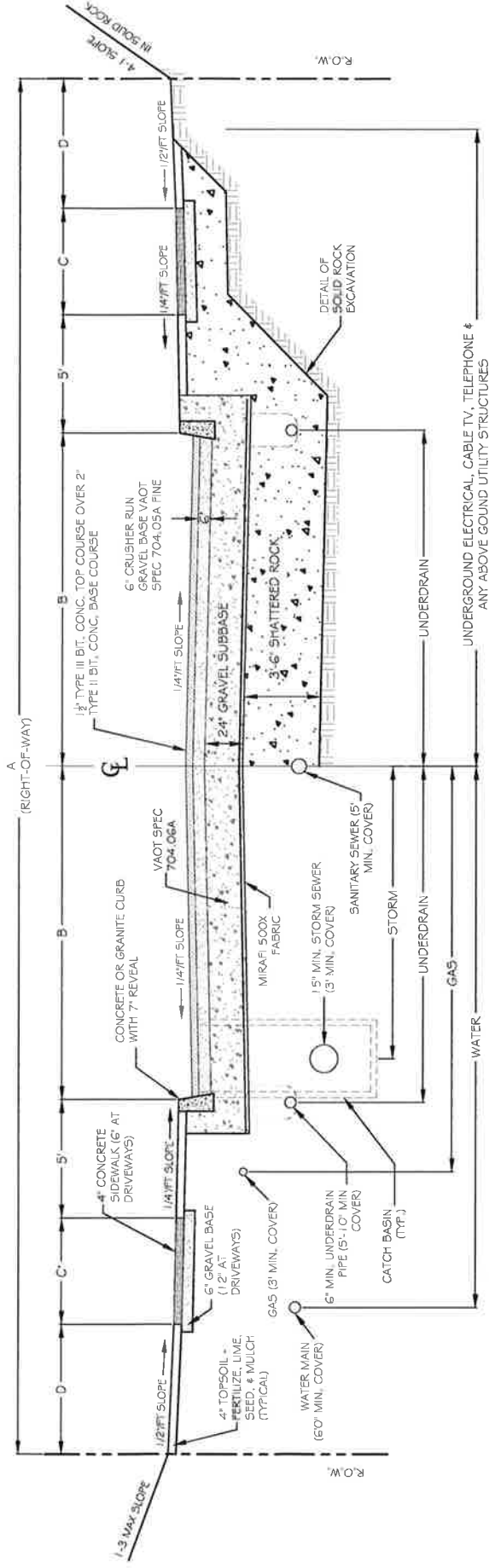
STREET DETAIL

NOT TO SCALE

TYPICAL PLAN

	A	B	C	D
MAJOR ARTERIAL	60'	32'	5'	4'
LOCAL RESIDENTIAL STREET	50'	28'	5'	1'

	A	B	C	D
MAJOR ARTERIAL	60'	16'	5'	4'
LOCAL RESIDENTIAL STREET	50'	14'	5'	1'

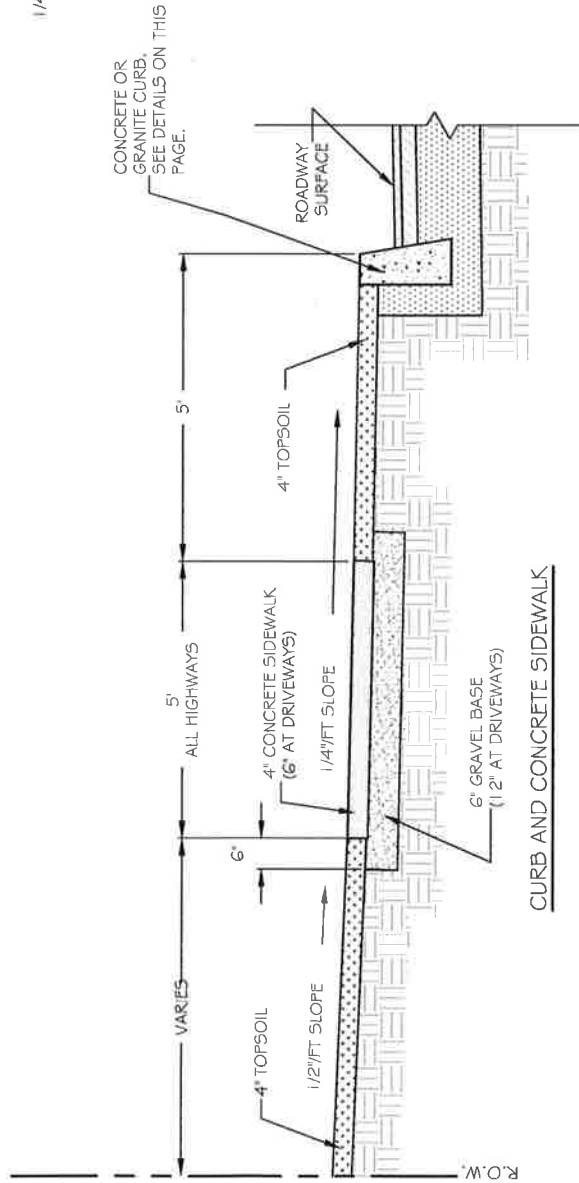


1. MINIMUM SLOPE OF DRAINAGE PIPES SHALL BE 0.2%.
2. ALL MATERIAL AND CONSTRUCTION SHALL BE IN ACCORDANCE WITH VILLAGE OF ESSEX PUBLIC WORKS SPECIFICATIONS.
3. MATCH EXISTING SLOPES AT PROPERTY LINES. MAXIMUM SLOPE 1 VERTICAL/3 HORIZONTAL.
4. SOME AREAS MAY REQUIRE WALKS OF GREATER WIDTH AT THE DISCRETION OF THE VILLAGE.
5. SOIL BORINGS AND TEST PITS MAY BE REQUIRED BY THE VILLAGE TO VERIFY PROPOSED DESIGN.
6. MIRAFI 500X FABRIC OR APPROVED EQUAL SHALL BE INSTALLED UNDER GRAVEL SUBBASE COURSE BENEATH THE STREET, CURB AND SIDEWALK UNLESS OTHERWISE APPROVED BY VILLAGE.
7. YELLOW OR ORANGE WARNING TAPE SHALL BE BURIED 15" ABOVE ALL GAS AND ELECTRIC LINES.
8. 26" MINIMUM WIDTH OF PAVEMENT MAY BE APPROVED BY VILLAGE FOR STREETS SERVING SINGLE FAMILY UNITS IF THE DESIGN AVERAGE DAILY TRAFFIC (ADT) IS LESS THAN 250 VEHICLES.

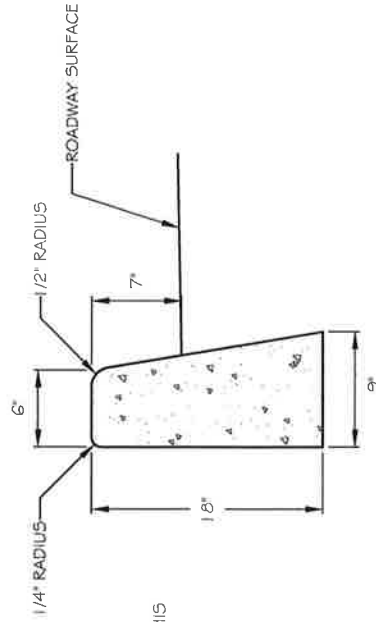
STREET DETAIL

NOT TO SCALE

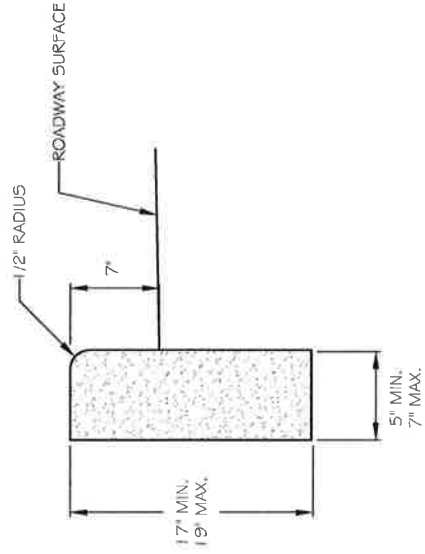
TYPICAL SECTION



CURB AND CONCRETE SIDEWALK



**END AREA OF 0.98 SQ. FEET
TYPICAL CONCRETE CURB**



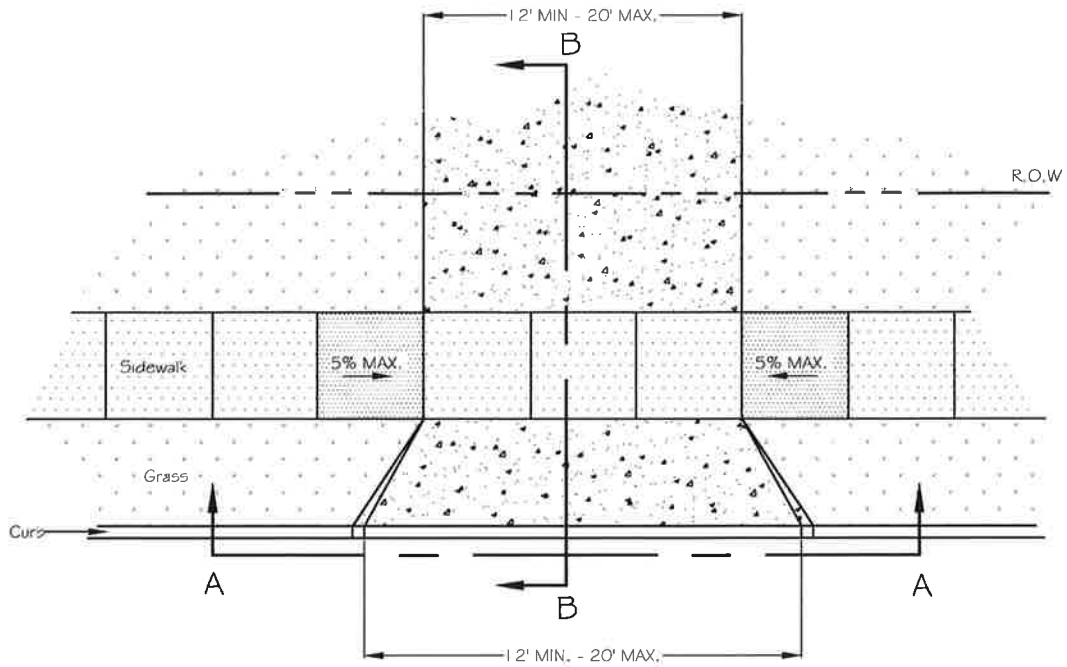
TYPICAL GRANITE CURB

1. ALL CURB RADIUS LESS THAN 200' SHALL BE FORMED USING FLEXIBLE FORMS.
2. CURB REVEAL AT DRIVEWAYS SHALL BE 1" MAX. AND 1/4" MAX. AT HANDICAP ACCESS RAMPS.
3. CURBING SHALL BE CONSTRUCTED IN 10 FOOT SECTIONS WITH 1/8" JOINTS BETWEEN SECTIONS.
4. SIDEWALK SHALL BE CAST IN 100' SECTIONS WITH NO EXPANSION JOINTS. CONNECTION TO EXISTING SIDEWALK AND BETWEEN 100 FOOT SECTIONS SHALL BE ACCOMPLISHED WITH STEEL DOWELS, SPACED 12" ON CENTER. SIDEWALK ADJACENT TO CURB SHALL BE SEPARATED BY 4 MIL POLYETHYLENE. SIDEWALK JOINTS SHALL BE SAW CUT AT 5' INTERVALS TO 1/3 THE SIDEWALK DEPTH. STRUCK TRANSVERSE FALSE JOINTS SHALL NOT BE UTILIZED.
5. ALL MATERIALS AND CONSTRUCTION TO BE ACCORDING TO SPECIFICATIONS.
6. SOME AREAS REQUIRE WALKS OF GREATER WIDTH OF THE DISCRETION OF THE VILLAGE.
7. CONCRETE WALKS SHALL BE 6" THICKNESS ACROSS DRIVES.
8. ALL SIDEWALKS SHALL BE TREATED WITH CERTI-VEX AC 1315, PER THE MANUFACTURER'S INSTRUCTIONS.

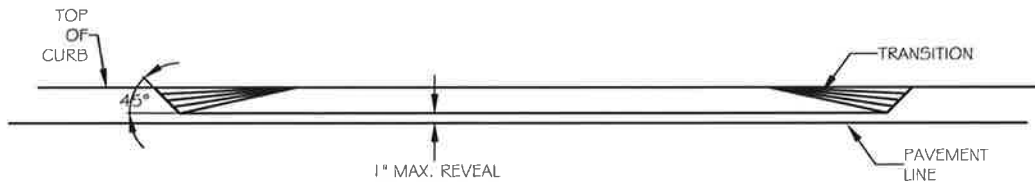
STREET DETAIL

NOT TO SCALE

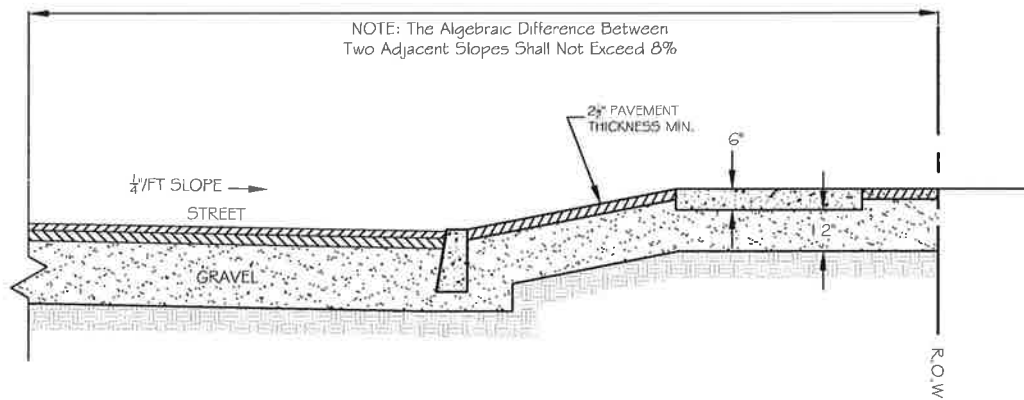
**CURB AND
CONCRETE SIDEWALK**



PLAN



SECTION A-A

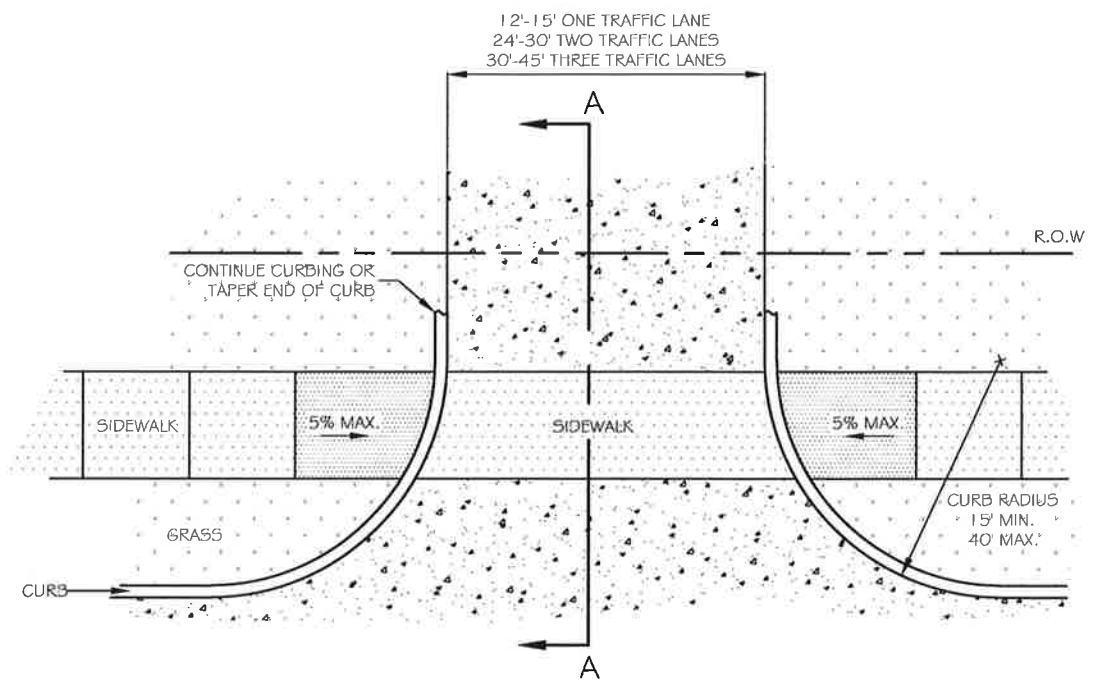


SECTION B-B

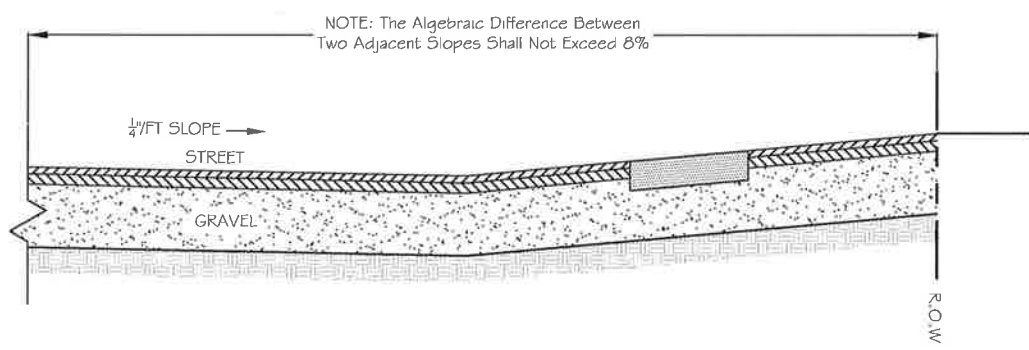
STREET DETAIL

NOT TO SCALE

**RESIDENTIAL
DRIVEWAY APRON**



PLAN

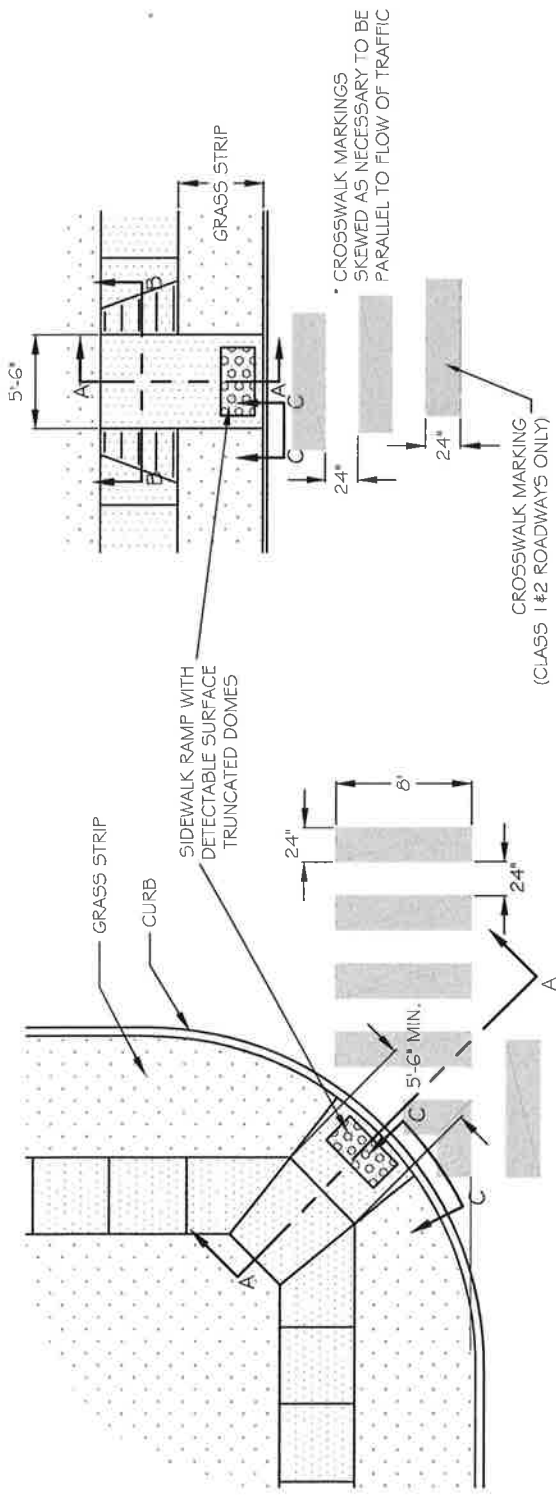


SECTION A-A

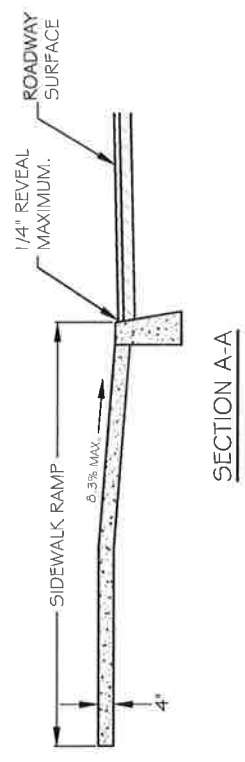
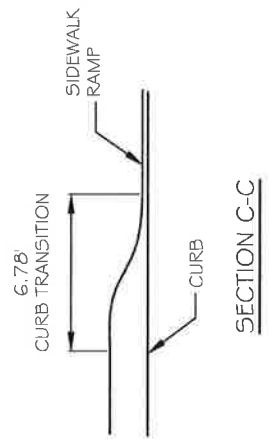
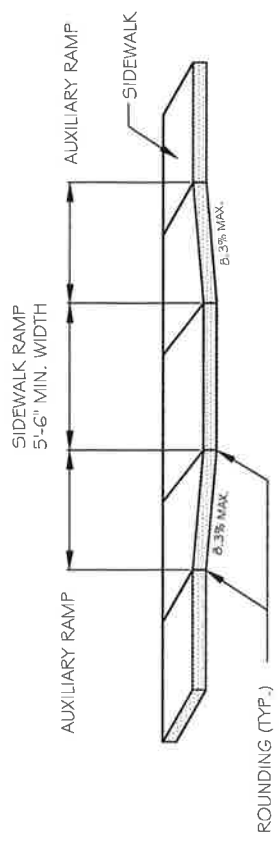
STREET DETAIL

NOT TO SCALE

***COMMERCIAL/INDUSTRIAL
 DRIVEWAY APRON***



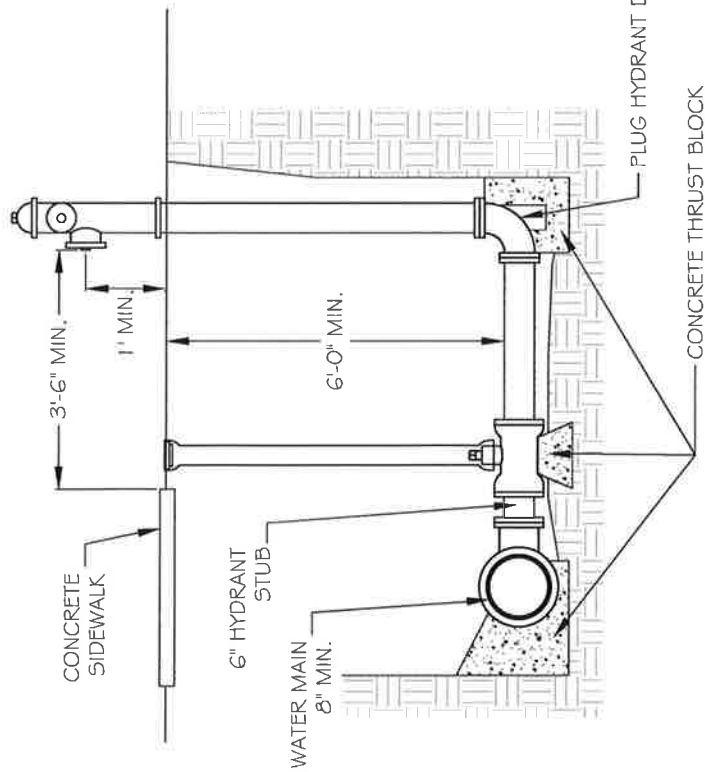
CROSSWALK MARKING
(CLASS 1 #2 ROADWAYS ONLY)



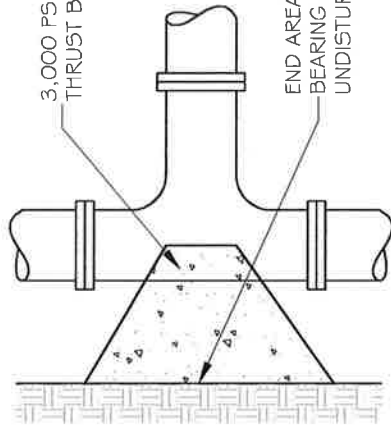
STREET DETAIL

NOT TO SCALE

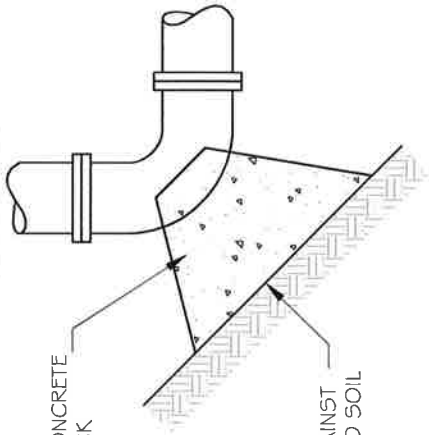
SIDEWALK RAMP



TYPICAL TEES AND CAPS



TYPICAL BENDS



THRUST BLOCKS

1. ALL FITTINGS AND JOINTS SHALL BE WRAPPED IN MINIMUM 9 MIL. POLYETHYLENE PLASTIC PRIOR TO POURING THRUST BLOCKING.
2. THRUST BLOCKS ARE NOT TO EXTEND PAST THE FITTINGS ON THE PIPES NOR FOUL FITTINGS LUGS, BOLTS, ETC.
3. THRUST BLOCK DESIGN SHALL BE BASED ON WATER PRESSURE EQUAL TO 200 PSI, SOIL BEARING CAPACITY EQUAL TO 2000 LBS/SQFT., AND THE APPROPRIATE SIZE PIPE AND TYPE OF FITTINGS TO BE RESTRAINED.
4. THRUST BLOCK MUST BEAR AGAINST UNDISTURBED SOIL.

HYDRANT SHALL BE ONE OF THE FOLLOWING:
KENNEDY K-81, MUELLER A-243, OR WATEROUS PACER

STEAMER CONNECTION SHALL BE A 5" STORZ CONNECTOR.

2- 1/2" SPUD CONNECTION THREADS SHALL BE "DOUBLE START" STYLE.

ALL JOINTS BETWEEN MAIN AND HYDRANTS SHALL BE RESTRAINED WITH D.I. "GRIP-RING" TYPE CONNECTORS OR APPROVED EQUAL.

FITTINGS	SIZE	6"	8"	10"	12"
1 1-1/4" OR 22-1/2"	45°	3.0	3.0	4.0	6.0
90°	90°	3.0	5.0	8.0	11.0
TEES OR END CAPS		6.0	10.0	14.0	20.0
VALVES		4.0	7.0	10.0	14.0
		2.0	2.0	2.0	2.0

**WATER
DISTRIBUTION
DETAILS**

NOT TO SCALE

MAINS & HYDRANTS

CONCRETE SIDEWALK

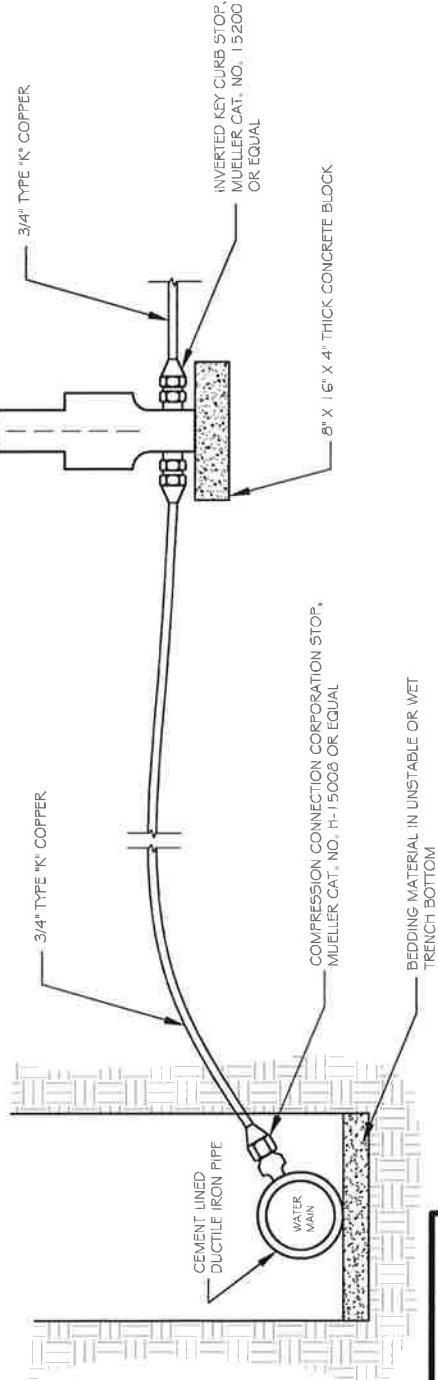
R.O.W.

1" MIN.

TELESCOPIC CAST-IRON CURB BOX,
MUELLER CAL. NO. H-1 0334 OR EQUAL
(5' BURY WITH STATIONARY ROD AND
ARCH PATTERN BASE)

NO CURB STOP SHALL BE INSTALLED IN
A DRIVEWAY OR THROUGH A CONCRETE
WALK.

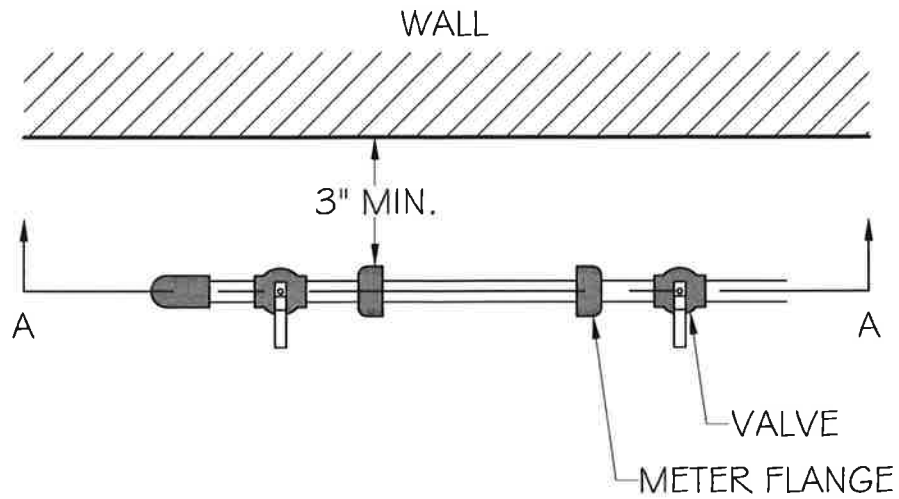
STATIONARY ROD



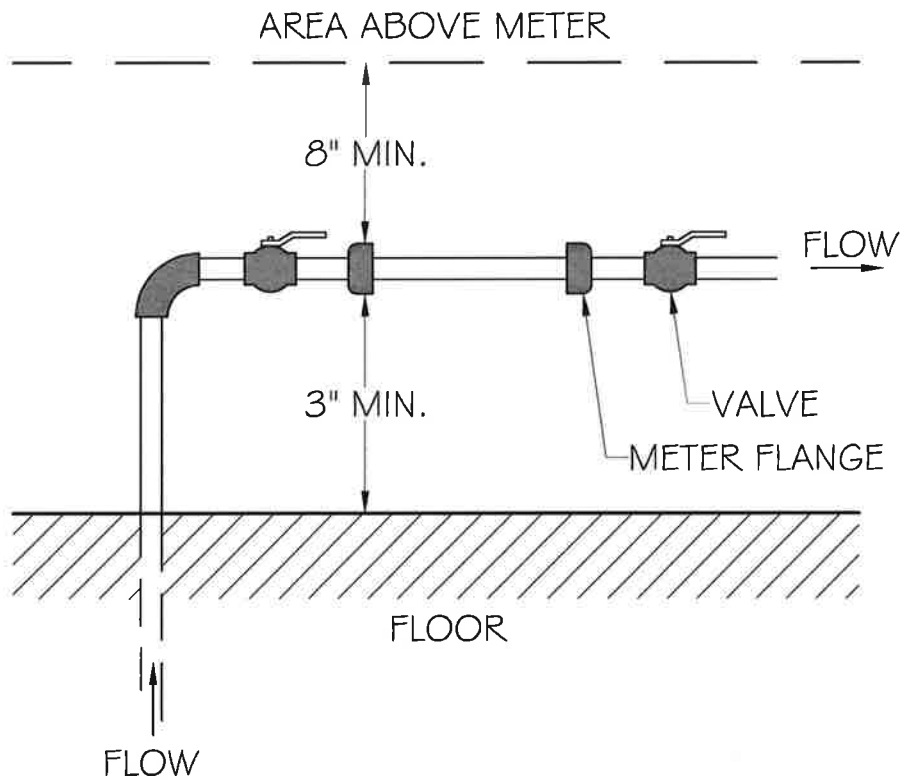
**WATER
DISTRIBUTION
DETAILS**

NOT TO SCALE

SERVICE CONNECTION



PLAN

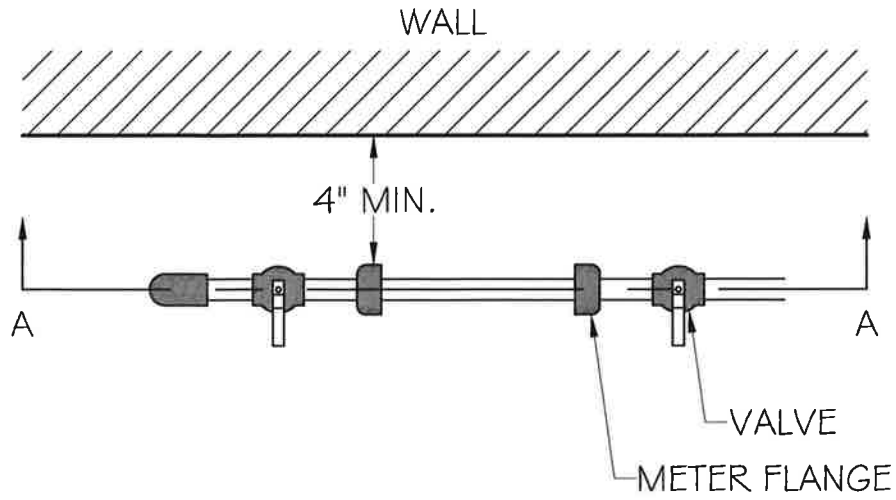


SECTION A-A

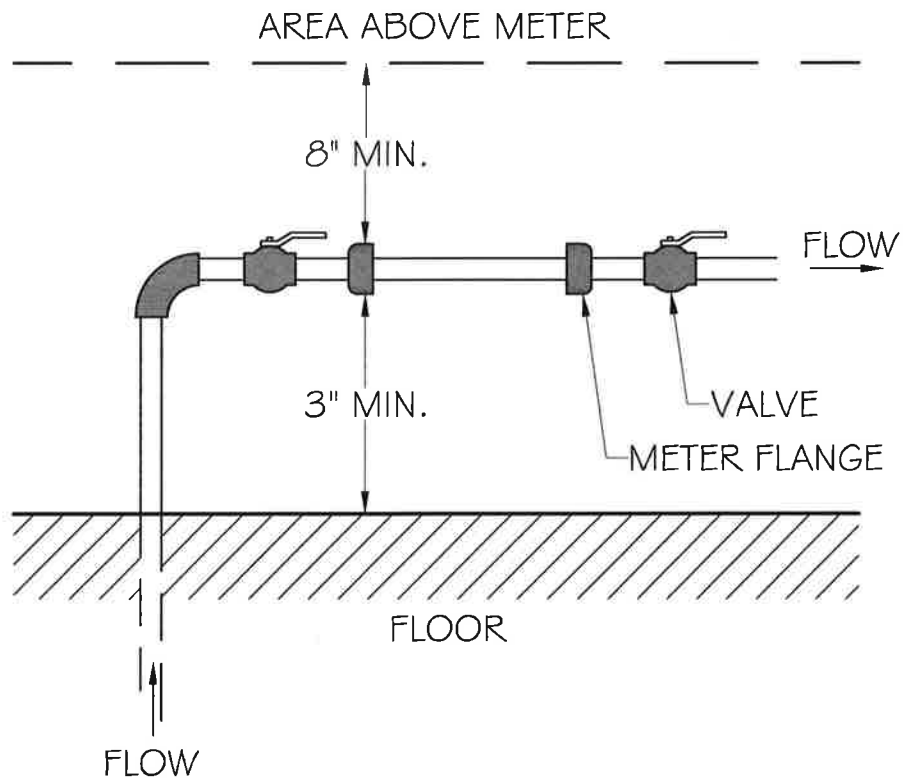
**WATER METER
MIN. CLEARANCES**

NOT TO SCALE

3/4" METER



PLAN

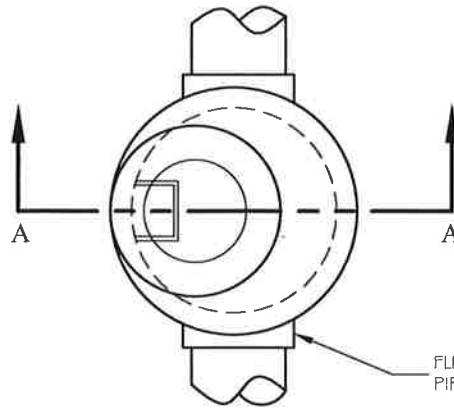


SECTION A-A

**WATER METER
MIN. CLEARANCES**

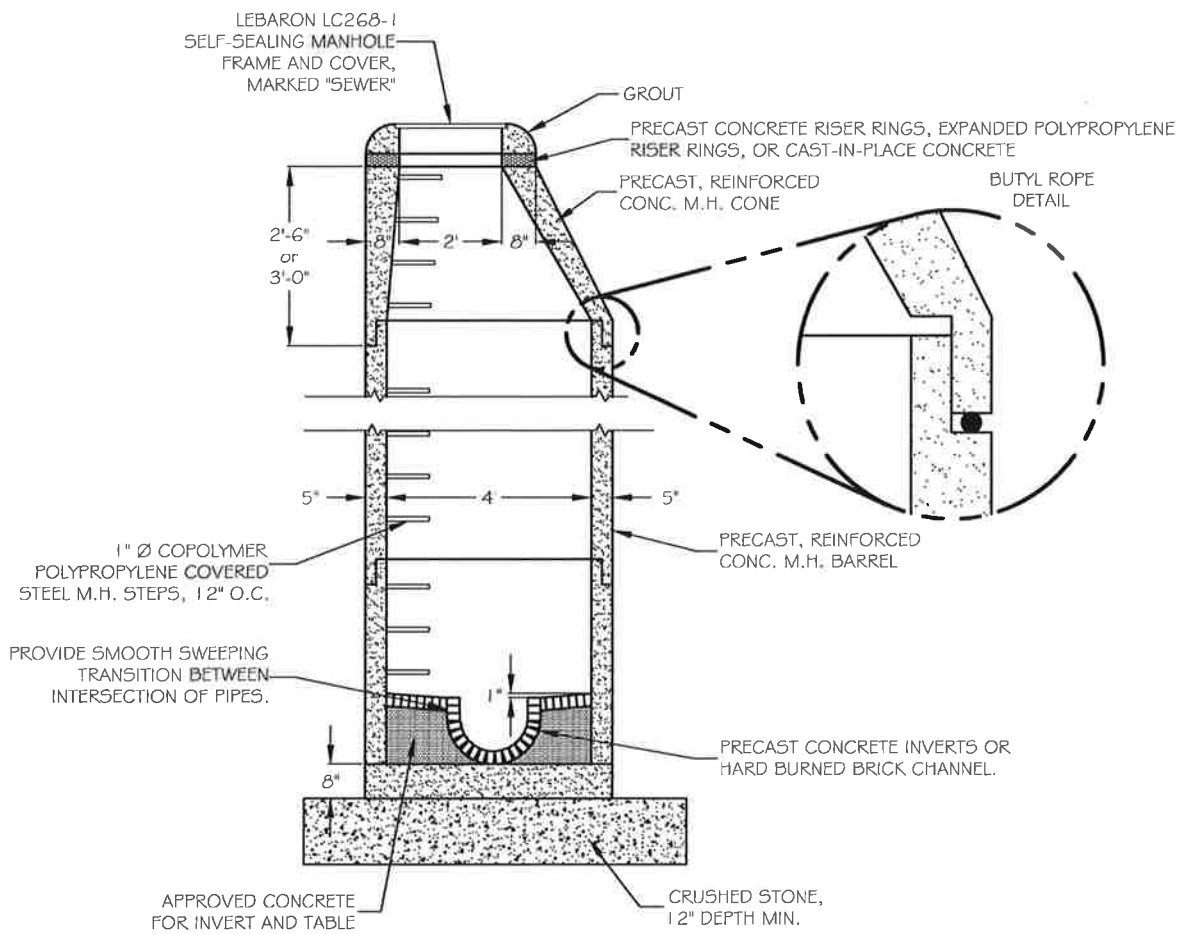
NOT TO SCALE

1", 1-1/2", & 2" METERS



FLEXIBLE MANHOLE BOOT AT PIPE CONNECTION, TYPICAL

PLAN
PRECAST M.H.



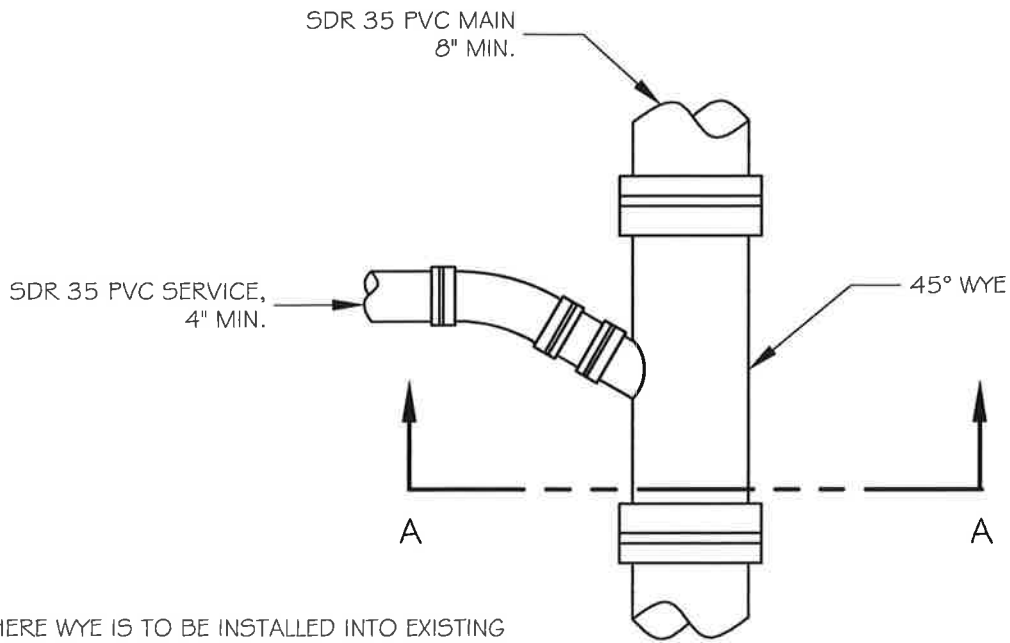
SECTION A-A

**SANITARY SEWER
DETAILS**

NOT TO SCALE

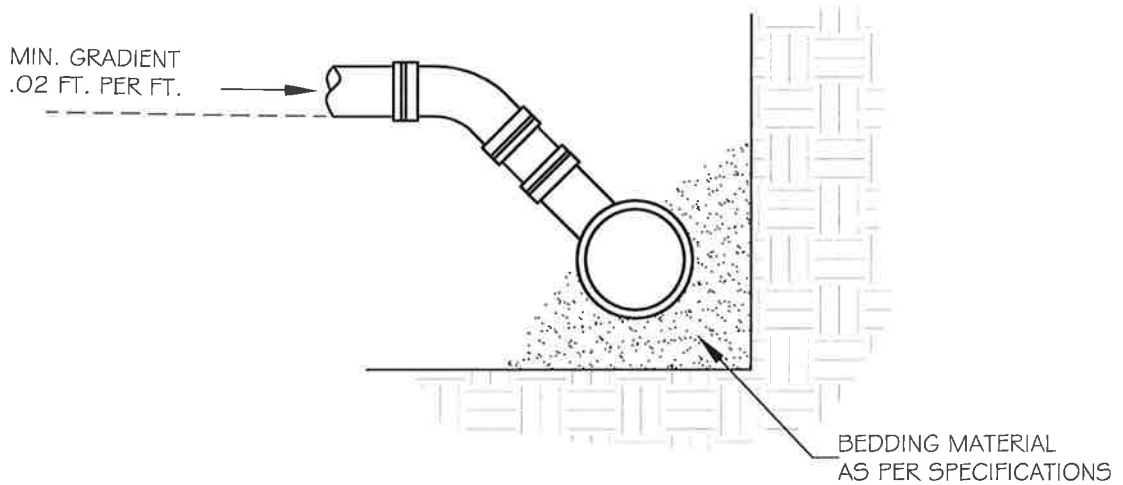
MANHOLES

1. PRECAST MANHOLE SECTIONS BUILT TO A.S.T.M. SPEC C472-72 WITH "O" RING JOINT.
2. STEEL REINFORCED TO A.S.T.M. SPECS.
3. 5,000 PSI CONCRETE
4. MONOLITHIC (58" Ø) BASE SECTION
5. MANHOLE STEPS SHALL BE COPOLYMER POLYPROPYLENE COVERED STEEL



PLAN

NOTE: WHERE WYE IS TO BE INSTALLED INTO EXISTING SEWER, INSTALLATION SHALL BE DONE WITH RIGID, GASKETED PIPE COUPLINGS. SADDLE CONNECTIONS OR FERNCO COUPLINGS, ARE NOT ACCEPTABLE.

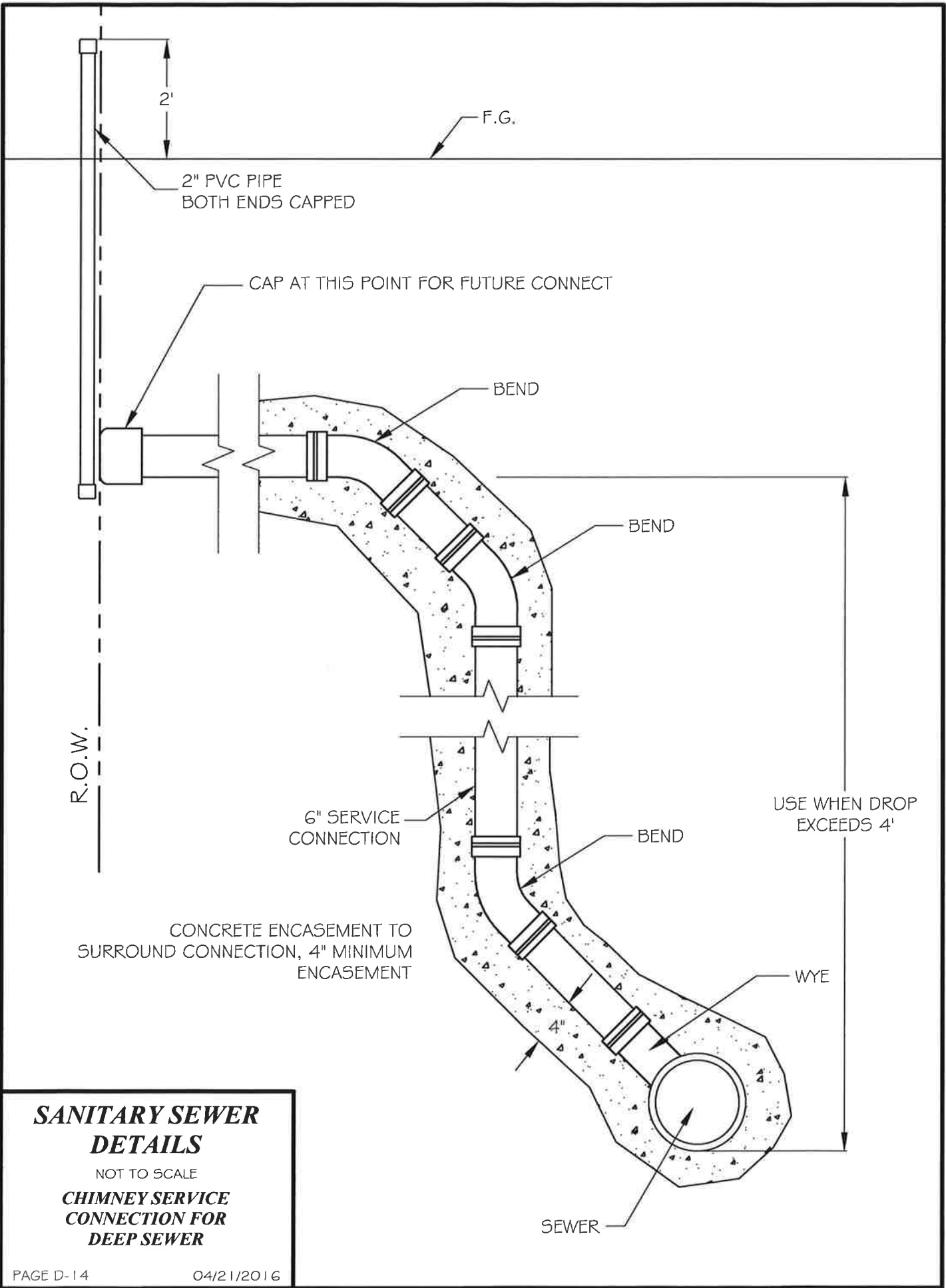


SECTION A-A

**SANITARY SEWER
DETAILS**

NOT TO SCALE

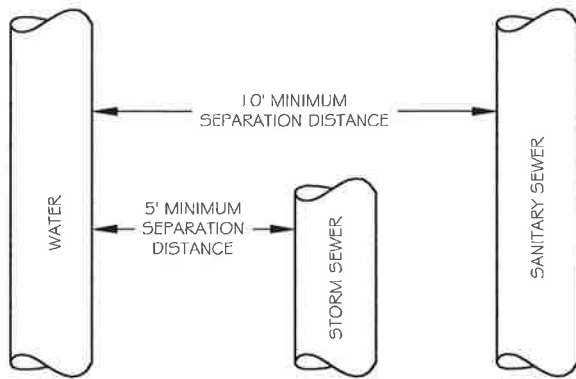
SERVICE CONNECTION



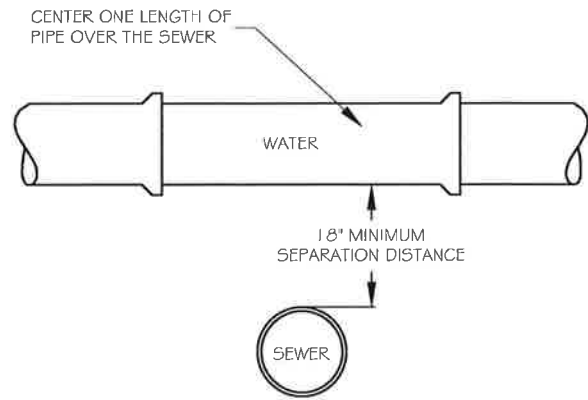
**SANITARY SEWER
DETAILS**

NOT TO SCALE

**CHIMNEY SERVICE
CONNECTION FOR
DEEP SEWER**



PARALLEL INSTALLATION



CROSSINGS

SEWER - WATER SEPARATION NOTES

HORIZONTAL SEPARATION

SANITARY SEWERS SHALL BE LAID AT LEAST TEN FEET HORIZONTALLY FROM ANY EXISTING OR PROPOSED WATER MAIN. THIS DISTANCE CAN BE REDUCED TO FIVE FEET FOR STORM SEWERS. THE DISTANCE SHALL BE MEASURED EDGE OF PIPE TO EDGE OF PIPE. WHERE IMPRACTICAL DUE TO LEDGE, BOULDERS OR OTHER UNUSUAL CONDITIONS, TO MAINTAIN HORIZONTAL SEPARATION BETWEEN SEWER AND WATER LINES, THE WATER LINE MAY BE IN A SEPARATE TRENCH OR ON AN UNDISTURBED EARTH SHELF IN THE SEWER TRENCH PROVIDED THAT THE BOTTOM OF THE WATER LINE IS AT LEAST 18" ABOVE THE TOP OF THE SEWER. WHEREVER IMPOSSIBLE OR IMPRACTICAL TO MAINTAIN 18" VERTICAL SEPARATION, THE SANITARY SEWER LINE SHALL BE CONSTRUCTED TO NORMAL WATERLINE STANDARDS AND PRESSURE TESTED TO 50 PSI FOR 15 MINUTES PRIOR TO BACKFILLING. NO LEAKAGE SHALL BE ALLOWED FOR THIS TEST.

CROSSING

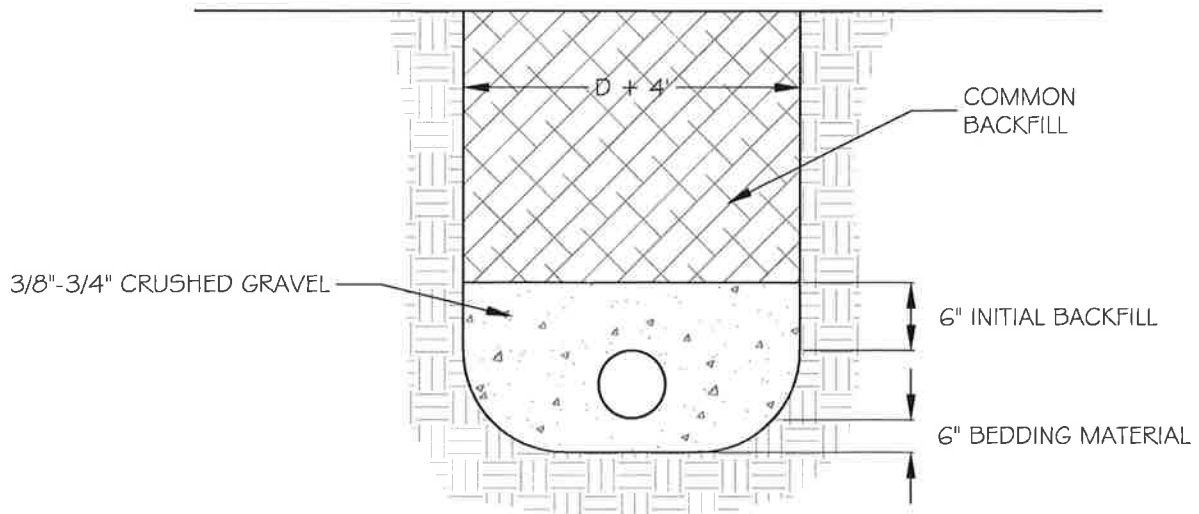
SEWER CROSSING WATER MAINS SHALL BE LAID BENEATH THE WATER MAIN WITH AT LEAST 18" VERTICAL CLEARANCE BETWEEN THE TOP OF THE SEWER AND THE BOTTOM OF THE WATER MAIN. WHEN IT IS IMPOSSIBLE TO MAINTAIN THE 18" VERTICAL SEPARATION OR WHERE THE SEWER MUST BE LAID ABOVE THE WATER MAIN;

- 1) THE CROSSING SHALL BE ARRANGED SO THAT ONE FULL LENGTH OF SEWER IS CENTERED ABOVE OR BELOW THE WATER LINE WITH SEWER JOINTS AS FAR AS POSSIBLE FROM WATER JOINTS;
- 2) THE SANITARY SEWER PIPE MUST BE CONSTRUCTED TO WATER MAIN STANDARDS FOR A MINIMUM DISTANCE OF 20 FEET EITHER SIDE OF THE CROSSING OR A TOTAL OF THREE PIPE LENGTHS, WHICHEVER IS GREATER;
- 3) THE SECTION CONSTRUCTED TO WATER MAIN STANDARDS MUST BE PRESSURE TESTED TO MAINTAIN 50 PSI FOR 15 MINUTES WITHOUT LEAKAGE PRIOR TO BACKFILLING BEYOND ONE FOOT ABOVE THE PIPE TO ASSURE WATER TIGHTNESS;
- 4) WHERE WATER MAIN CROSSES UNDER A SEWER, ADEQUATE STRUCTURAL SUPPORT SHALL BE PROVIDED FOR THE SEWER TO PREVENT DAMAGE TO THE WATER MAIN.

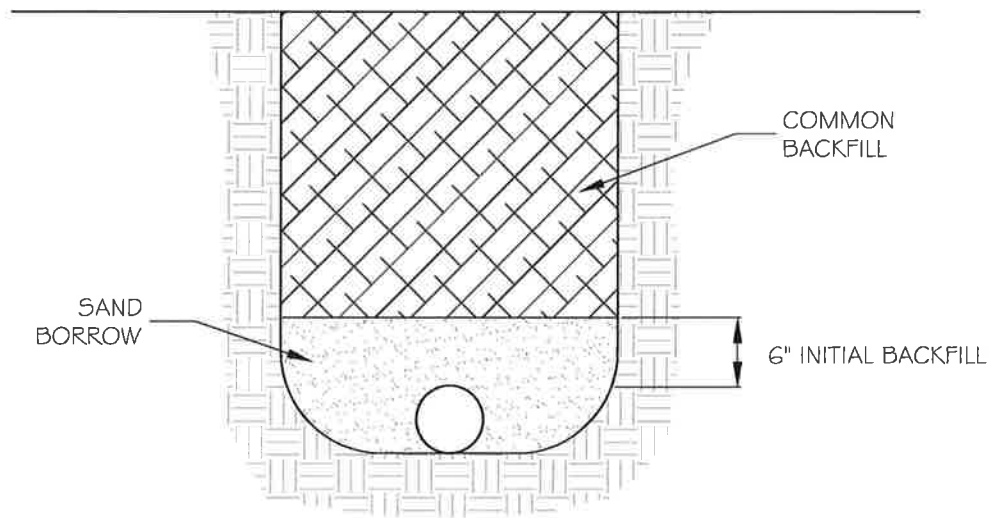
WATER & SANITARY SEWER

NOT TO SCALE

SEPARATION AND CROSSING DETAIL



**A. FLEXIBLE PIPE
(PVC, HDPE, ETC)**



**B. RIGID PIPE
(DI, RCP, GMP)**

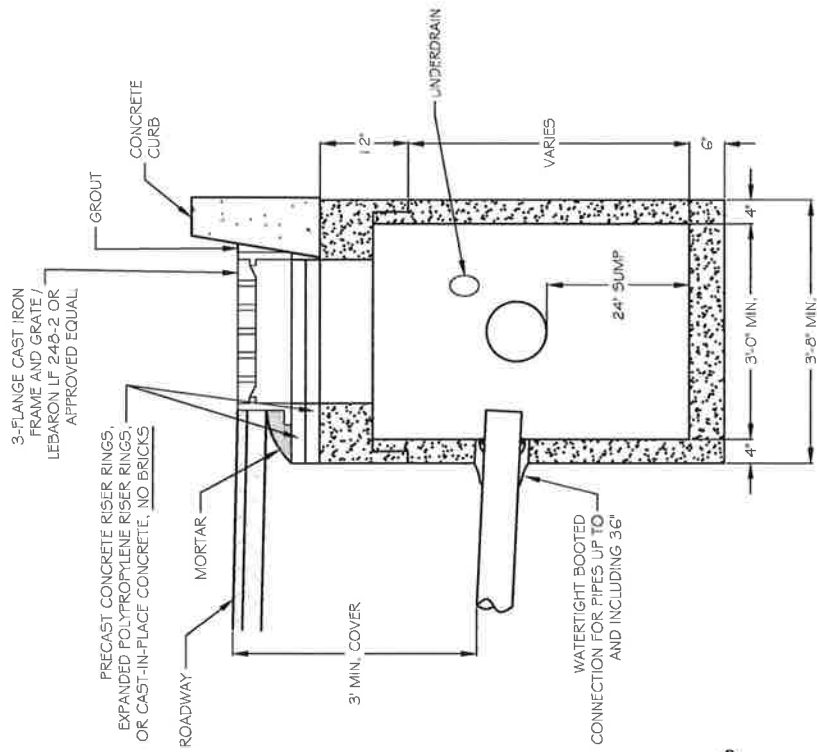
RIGID PIPE NOTES:

1. PROVIDE POLYETHYLENE PROTECTIVE WRAP (BEETLE SKIN) AROUND PIPE IN CORROSIVE SOILS.
2. IF TRENCH BOTTOM IS FORMED BY CLAY SOILS, PROVIDE 6" (MIN.) BEDDING UNDER PIPE.

TRENCH DETAIL

NOT TO SCALE

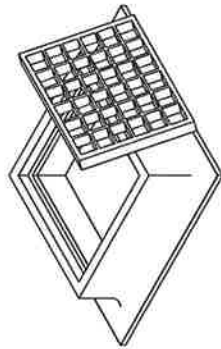
FLEXIBLE & RIGID PIPE



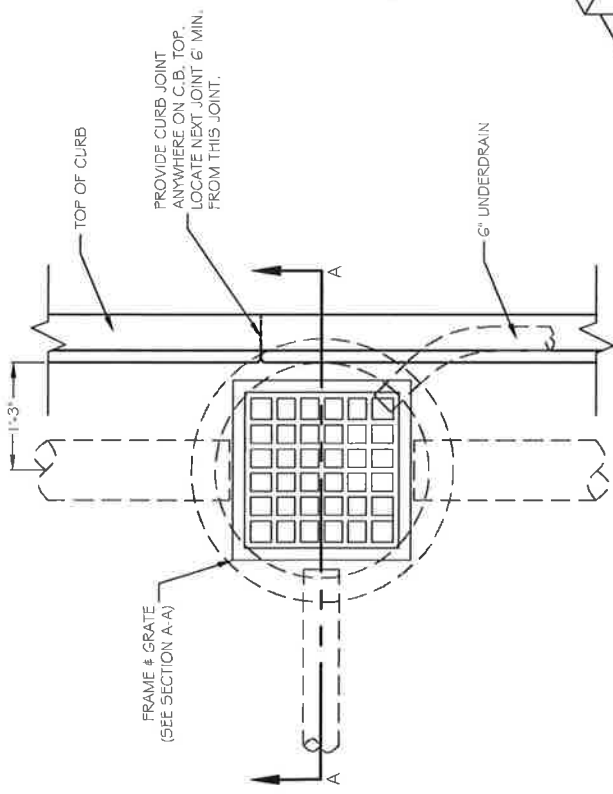
SECTION A-A

STRUCTURE DIAMETER	0°-45° DEFLECTION THROUGH STRUCTURE	45°-90° DEFLECTION THROUGH STRUCTURE	MAXIMUM PIPE DIAMETER*
36"	18"	12"	
48"	24"	18"	
60"	36"	27"	
72"	42"	30"	
84"	48"	36"	
96"	60"	42"	

* IN NO CASE SHALL MORE THAN 50% OF THE STRUCTURE CIRCUMFERENCE BE REMOVED BY PIPE PENETRATIONS, AND THERE SHALL BE AT LEAST 6" OF WALL BETWEEN PENETRATIONS; UNLESS OTHERWISE APPROVED BY THE VILLAGE ENGINEER.



SQUARE FRAME AND GRATE
LEBARON LF248-2



PLAN

1. MINIMUM SIZE SQUARE SHAPED CATCH BASIN OR DROP INLET IS 2' x 2'.
2. MINIMUM SIZE ROUND CATCH BASIN IS 3' DIAMETER.
3. WHERE MANHOLE COVER USED INSTEAD OF GRATES, COVER SHALL BE MARKED WITH "STORM".

**STORM SEWER
DETAIL**
NOT TO SCALE
**PRECAST CONCRETE
CATCH BASIN**

FRAME AND GRATE FOR CLEAN
OUT SHALL BE LEBARON CAT.
NO. R505 OR APPROVED EQUAL

3000 PSI
CONCRETE

2'-6"

8"

INSTALL BLDG
PAPER BETWEEN
PIPE AND
CONCRETE

6" PIPE

45° BEND

5'-7" MIN.

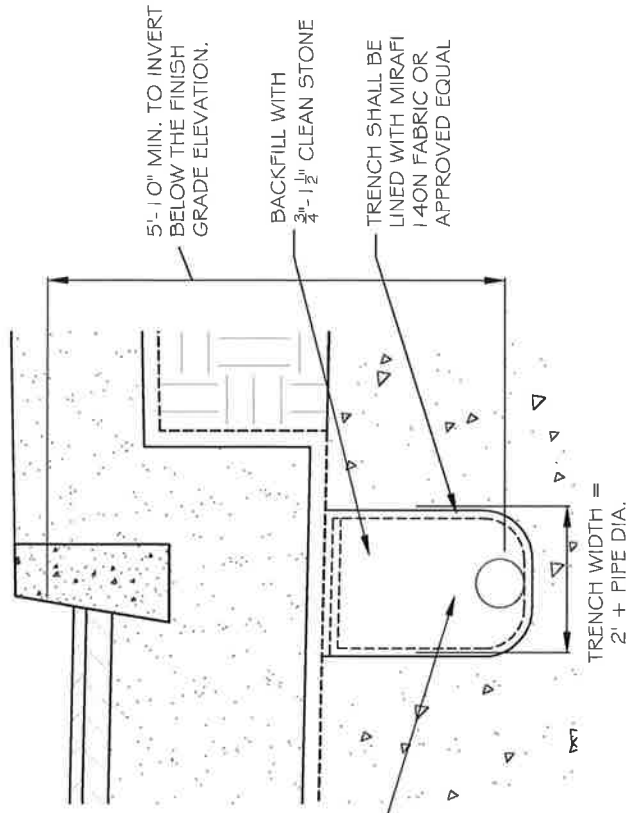
USE 45° ELBOW AT
BEGINNING OF RUN

UNDERDRAIN PIPE SHALL BE
6" MIN. DIA. SDR 35 PVC
PERFORATED PIPE OR APPROVED
EQUAL

NOTE:

SEE STORM SEWER - PRECAST CONCRETE CATCH BASIN DETAIL
FOR UNDERDRAIN CONNECTION.

UNDERDRAIN CLEAN OUT DETAIL



UNDERDRAIN TRENCH DETAIL

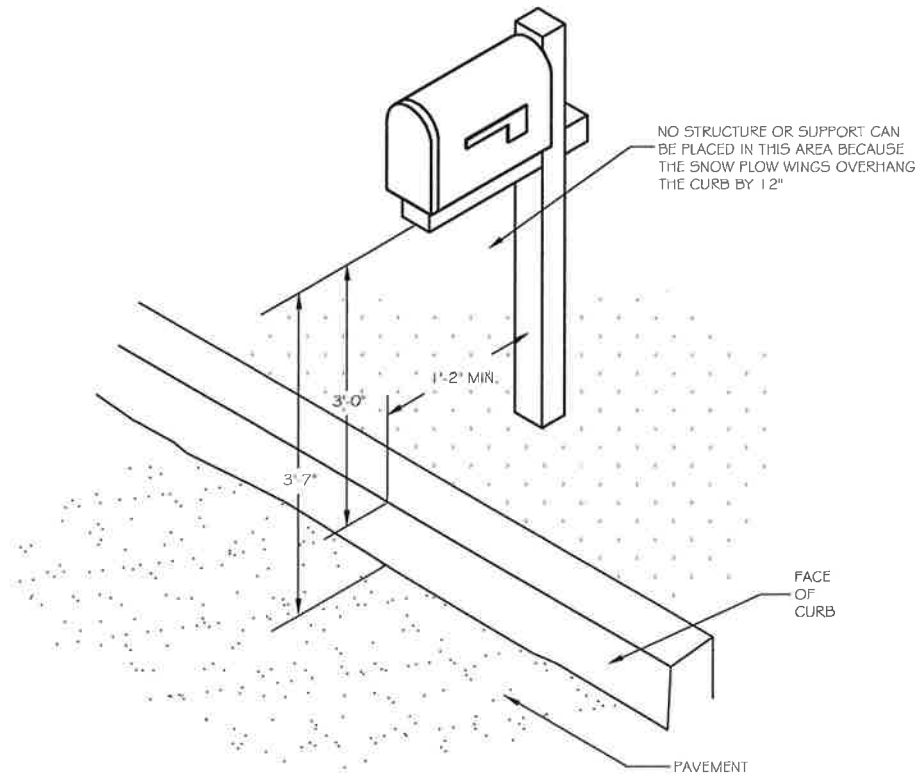
GENERAL NOTES:

1. GRADE FOR UNDERDRAIN SHALL BE PARALLEL WITH THE ROAD GRADE UNLESS OTHERWISE APPROVED BY THE VILLAGE MINIMUM GRADE IS EQUAL TO 0.005 FT/FT.
2. CLEAN OUTS SHALL BE LOCATED IN THE GRASS STRIP BETWEEN THE CURB AND THE SIDEWALK. CLEAN OUTS SHALL BE LOCATED AT THE BEGINNING OF EACH RUN OF UNDERDRAIN. THE MAXIMUM DISTANCE BETWEEN CLEAN OUTS SHALL BE 500'.
3. UNDERDRAINS SHALL OUTLET INTO STORM CATCH BASINS OR AT OTHER SUITABLE FREE OUTLET. THE CROWN OF THE UNDERDRAIN PIPE ENTERING A CATCH BASIN SHALL NOT BE LOWER THAN THE CROWN OF THE OUTLET PIPE.

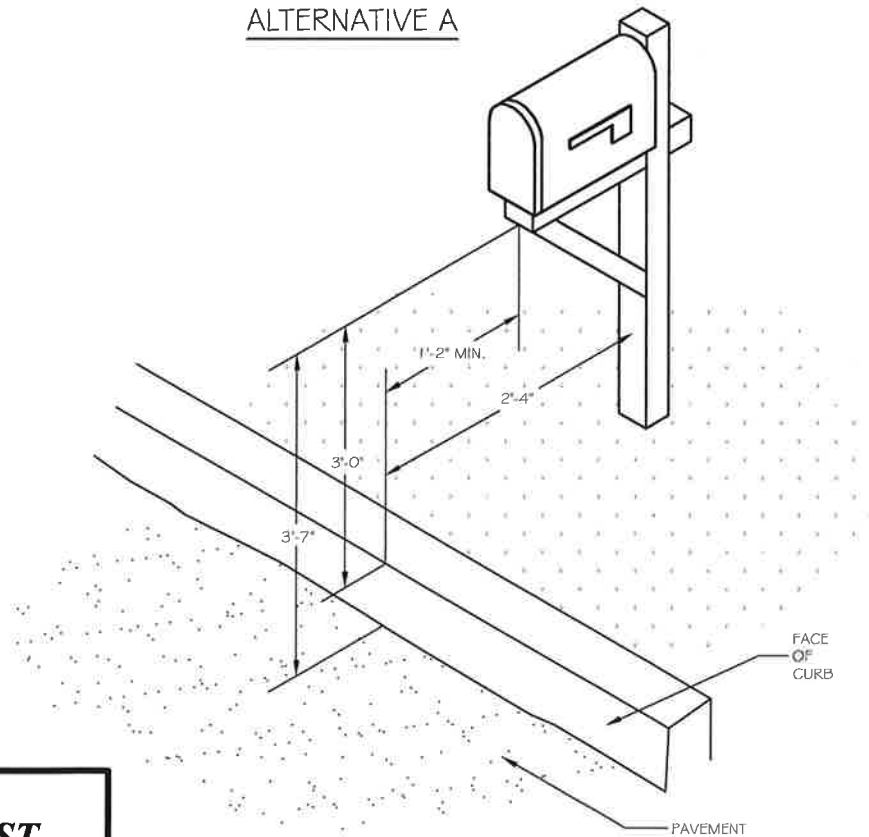
**STORM SEWER
DETAIL**

NOT TO SCALE

UNDERDRAIN DETAIL



ALTERNATIVE A



ALTERNATIVE B

**MAIL BOX POST
DETAIL**

NOT TO SCALE

MAIL BOX

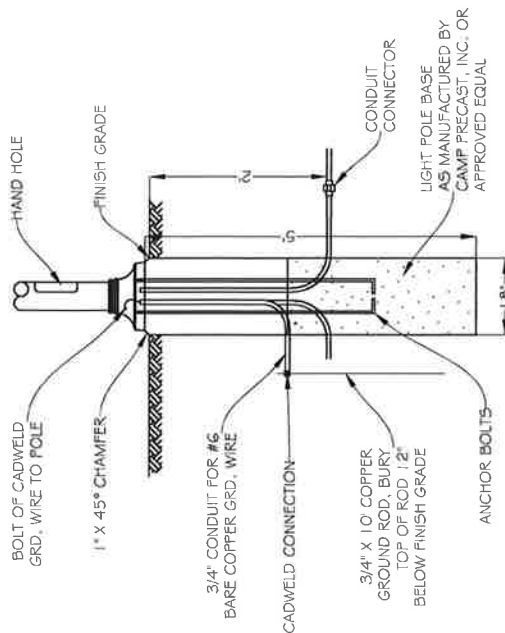
A. THESE LIGHTS SHALL BE THE STANDARD FOR THE FOLLOWING STREETSCAPE CORRIDORS:

1. PEARL STREET
2. LINCOLN STREET
3. MAPLE STREET
4. MAIN STREET
5. PARK STREET

B. THESE LIGHTS SHALL BE THE STANDARD FOR A DOWNTOWN AREA WHICH IS ENCOMPASSED BY THE ABOVE NOTED CORRIDORS AND THE FOLLOWING STREETS:

1. RAILROAD AVENUE
2. RAILROAD STREET
3. THE CRESCENT CONNECTOR
4. PARK PLACE
5. SCHOOL STREET
6. LINCOLN PLACE
7. CENTRAL STREET

C. STREET LIGHTING FOR ALL OTHER LOCATIONS SHALL BE AS DESCRIBED IN SECTION 704(F) OF THE LAND DEVELOPMENT CODE, OR APPROVED BY THE PLANNING COMMISSION.



TYPICAL LIGHT POLE BASE DETAIL

NTS

STREET LIGHTING DETAILS
 NOT TO SCALE
LIGHT POLE, LIGHT BASE & LIGHT FIXTURE

ELECTRIC EYE IF NOT ON COORDINATED CIRCUIT

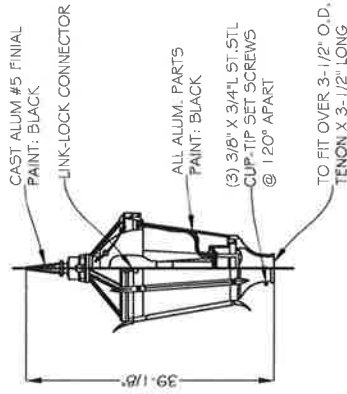
KING LUMINAIRE MODEL K56 TUDOR

3-1/2" D.A. X 3-1/2" HIGH TENON (ABOVE LADDER REST) TO ACCOMMODATE LUMINAIRE LADDER REST PARALLEL WITH ROAD CENTERLINE

DUPLEX RECEPTACLE WITH WEATHERPROOF COVER NOT WEATHERPROOF WHILE IN USE

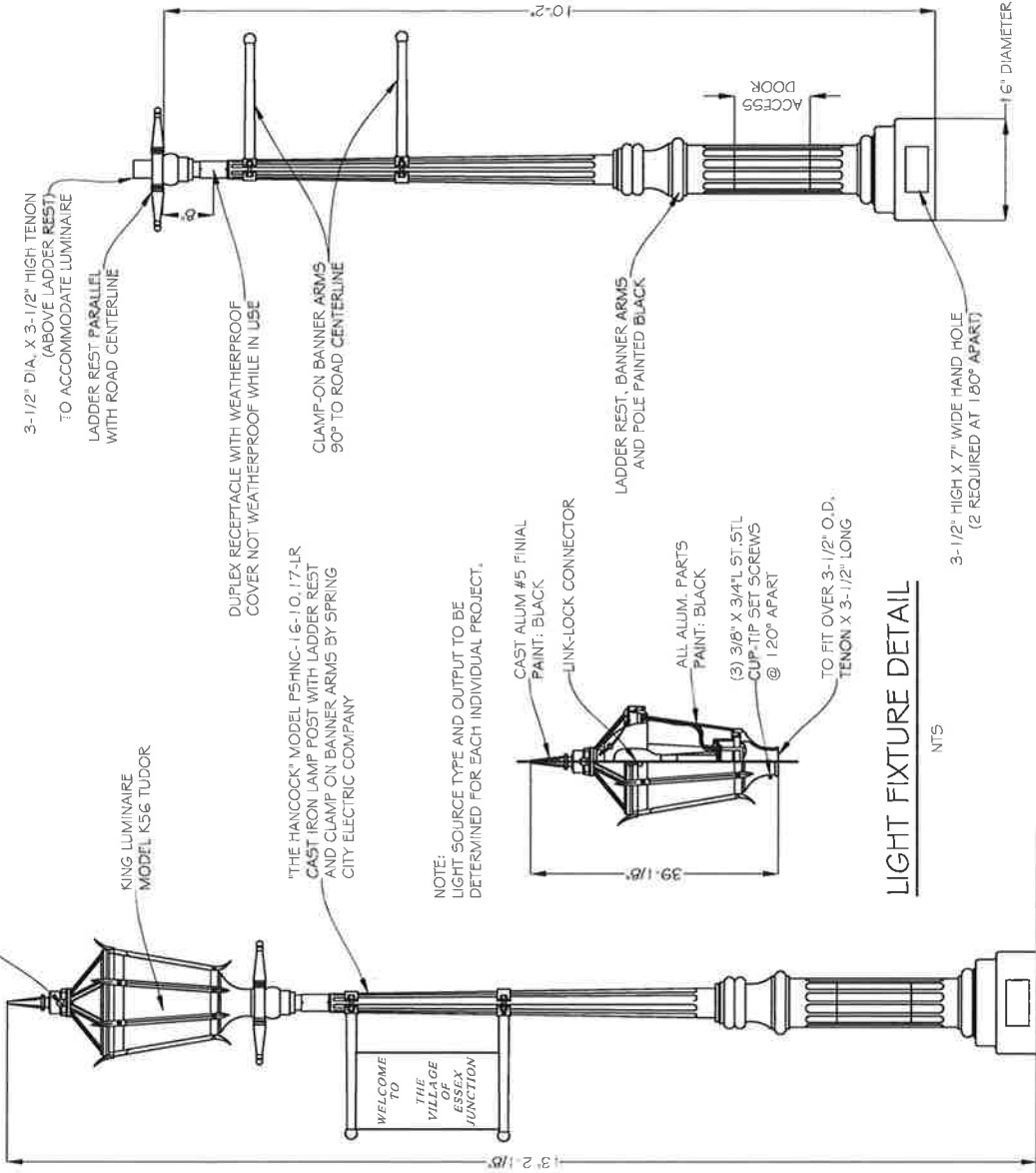
"THE HANCOCK" MODEL PSHNC-16-10.17-LR CAST IRON LAMP POST WITH LADDER REST AND CLAMP ON BANNER ARMS BY SPRING CITY ELECTRIC COMPANY

NOTE: LIGHT SOURCE TYPE AND OUTPUT TO BE DETERMINED FOR EACH INDIVIDUAL PROJECT.



LIGHT FIXTURE DETAIL

NTS



LIGHT ASSEMBLY DETAIL

NTS

LIGHT POST DETAIL

NTS

Village Center Essex Junction, VT

Legend



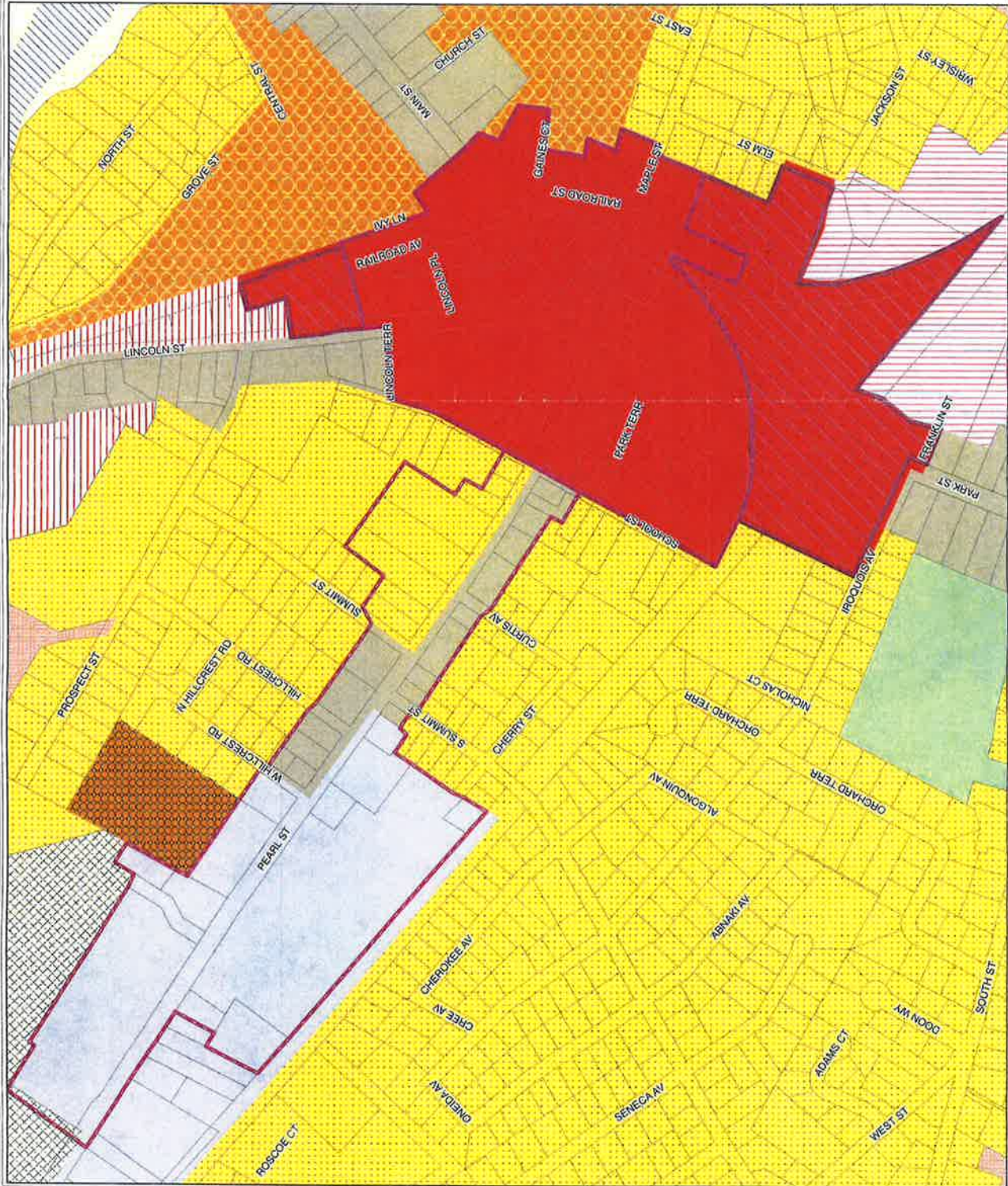
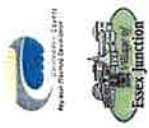
- Existing Village Center
- Village Center Correction
- Future Expansion
- Tax Parcel Boundary - 2009

Zoning District

- Transit Oriented Development
- Residential 1
- Residential 2
- Multi-Family Residential 1
- Multi-Family Residential 2
- Multi-Family Residential 3
- Multi-Family/Mixed Use 1
- Multi-Family/Mixed Use 2
- Village Center
- Residential-Office
- Mixed Commercial Use
- Highway-Arterial
- Light Industrial
- Planned Exposition
- Planned Agriculture
- Open Space
- Flood Plain

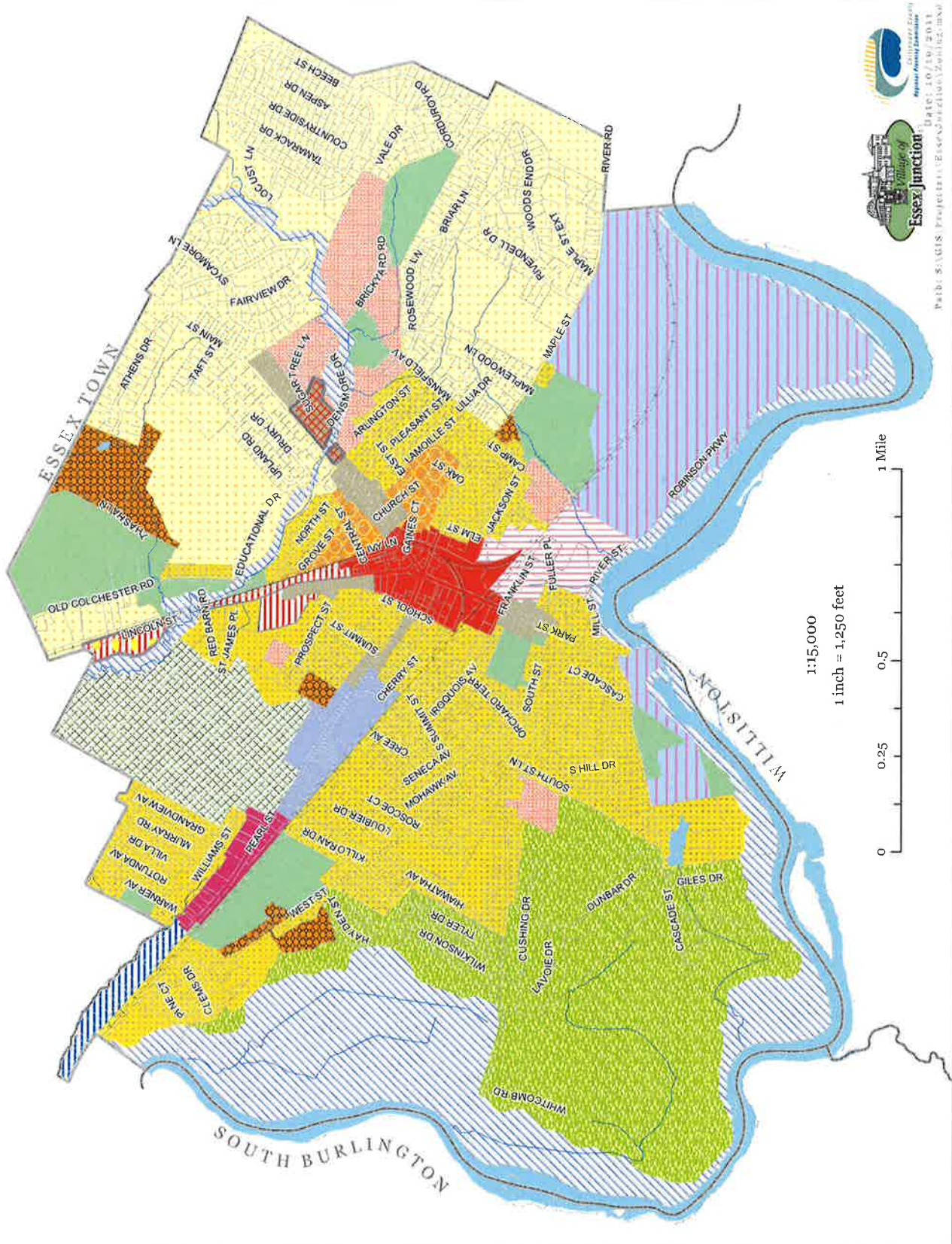


Sources:
 2009 Parcel Boundary-Essex Junction
 2007 Zoning - Developed by CTRC, updated E1, 2007
 2007 Parcel Boundary - Essex Junction
 2007 Parcel Boundary - Essex Junction
 Data is in State Plane Coordinate System, NAD 1983.
Disclaimer:
 The accuracy of information presented is determined by its sources. Errors and omissions may exist. The Chittenden County Regional Planning Commission is not responsible for these. Questions of on-the-ground location can be resolved by site inspections and/or surveys by the Commission. This map identifies the general delineation of features on-the-ground. This map identifies the presence of features, and may indicate relationships between features, but is not a replacement for surveyed information or engineering studies.



2011 Essex Junction Zoning

Zoning District	Description
[Yellow with dots]	Residential 1
[Yellow with horizontal lines]	Residential 2
[Yellow with vertical lines]	Multi-Family Residential 1
[Yellow with diagonal lines]	Multi-Family Residential 2
[Yellow with cross-hatch]	Multi-Family Residential 3
[Yellow with horizontal lines]	Multi-Family/Mixed Use 1
[Yellow with vertical lines]	Multi-Family/Mixed Use 2
[Red with dots]	Village Center
[Light blue with dots]	Transit Oriented Development
[Light blue with horizontal lines]	Residential-Office
[Light blue with vertical lines]	Mixed Commercial Use
[Light blue with diagonal lines]	Highway-Arterial
[Light blue with cross-hatch]	Light Industrial
[Light blue with dots]	Planned Exposition
[Light blue with horizontal lines]	Planned Agriculture
[Light blue with vertical lines]	Open Space
[Light blue with diagonal lines]	Flood Plain
[Light blue with cross-hatch]	North Lincoln Overlay District
[Light blue with dots]	Professional Office Overlay
[Light blue with horizontal lines]	Stream Centerline
[Light blue with vertical lines]	Winooski River
[Light blue with diagonal lines]	Railroad
[Light blue with cross-hatch]	Road Centerline
[Light blue with dots]	2010 Tax Parcel Boundary



Public Safety: Projects Essex Junction Vermont



MEMORANDUM

TO: Essex Junction Trustees and Pat Scheidel, Village Manager
FROM: James Jutras, Water Quality Superintendent
cc: Lauren Morrisseau Assistant Manager/Finance Director
DATE: November 18, 2016
SUBJECT: Revision to the previously Approved Champlain Water District Easement – Cascade Street meter vault.

A handwritten signature in black ink, appearing to read "James Jutras", is positioned to the right of the memorandum header.

Issue: Whether or not to authorize the Municipal Manager to sign an additional revision to the existing easement with the Champlain Water District for the Cascade Street meter vault installation.

Discussion: At the September 27, 2016 Trustee meeting, the Board authorized the Municipal Manager to sign a revision to an existing easement for the Champlain Water District Cascade Street meter vault. Field conditions found during construction warrant revision to the recently approved right of way further along the westerly boundary of the wastewater facility property. The request and a highlighted map is attached for your consideration.

Costs: No Cost except for legal review by the Village Attorney

Recommendation: It is recommended that the Village Trustees authorize the Municipal Manager to sign a revision to the recently signed Champlain Water District Cascade Street meter vault installation.

Jim Jutras

From: Joseph Duncan <joe.duncan@champlainwater.org>
Sent: Thursday, November 17, 2016 2:29 PM
To: Jim Jutras
Cc: James Fay
Subject: Cascade St Easement
Attachments: DOC111716.pdf; ATT00001.htm

Jim:

Following up on our conversation, CWD is requesting a 50' x 20' extension of the Cascade Street meter vault easement. The extension is along the southern end of the existing vault easement as shown on the attached plan.

We conducted a test pit at the tie in location south of the vault and we found that the conditions were not as shown on the record drawings. The existing main is concrete encased from the vault and down the slope and not accessible for a tie in. We are proposing to move the tie in to the end of the concrete encasement which is approximately 50' from our originally proposed tie in. This will require a 50' extension of the existing easement as shown on the attached plan.

The project is currently under construction and we are requesting the Village's approval of the easement extension at their upcoming meeting. If approved we would look to continue construction of the main as shown. We would also begin preparation of the required paperwork for the easement modifications for formal approval by the Board at a future meeting.

We appreciate the Village considering this request. Please don't hesitate to contact me with any questions.

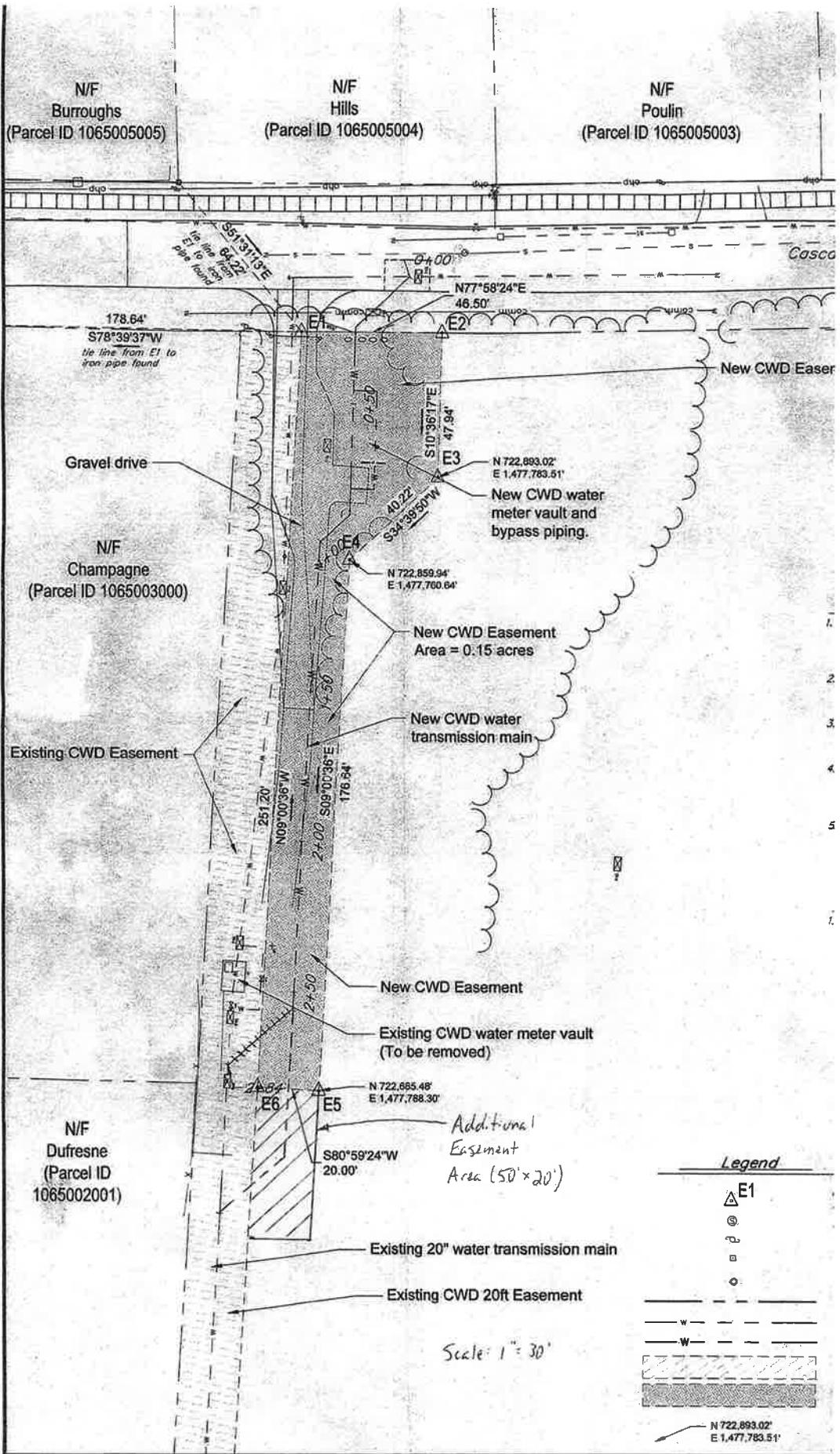
--
Joe Duncan, PE
Sent from my iPhone

Begin forwarded message:

From: "CWD Copier" <cwdcopier@champlainwater.org>
To: "Joseph Duncan" <joe.duncan@champlainwater.org>
Subject: Sent from Toshiba 4555c 11/17/2016 14:07

Scanned from MFP11388864
Date:11/17/2016 14:07
Pages:1
Resolution:300x300 DPI

From Computer Room Copier



N/F
Burroughs
(Parcel ID 1065005005)

N/F
Hills
(Parcel ID 1065005004)

N/F
Poulin
(Parcel ID 1065005003)

N/F
Champagne
(Parcel ID 1065003000)

N/F
Dufresne
(Parcel ID 1065002001)

Repro, Winoski, VT hereby certifies this map was reproduced according to state specifications.

CF Jigal

Legend

- △ E1
-
-
-
-
- w —
- - - w - - -
- ▨
- ▨

N 722,893.02'
E 1,477,783.51'

Scale: 1" = 30'



2 Lincoln Street
Essex Junction, VT 05452
www.essexjunction.org

MEMORANDUM

TO: Village Trustees and Patrick Scheidel, Village Manager
FROM: Lauren Morriseau, Finance Director and Wendy Hysko, Brownell Library Director *WH*
DATE: 11/16/16
SUBJECT: Transferring General Fund fund balance for Library building repairs

Issue

The issue is whether or not to approve the transfer of General Fund fund balance to the Building Maintenance fund for Library building repairs.

Discussion

Walkthroughs from separate historic building assessments in 2014 and 2015 highlighted the need for the chimneys to be repointed in the 1926 original section of the Brownell Library is critical work to be done to the building. In requesting quotes from contractors that specialize in historic masonry, it was noted that additional work is recommended including cleaning the exterior of the bricks and mortar to ensure the chimney masonry work matched the other masonry and not the dirty surface. Additional work recommended was repairing, stabilizing and repainting of all visible woodwork which is currently in various states of disrepair including door and window trim and window shutters. The Trustees are allowed to maintain up to 10% of the current budget in unassigned fund balance. At this time the unassigned fund balance is 8.9% of the FYE17 General Fund Budget. The transfer of \$33,000 will reduce the General Fund unassigned fund balance to 8.1%.

Cost

Liszt Historical Restoration provided a quote that includes all the necessary work for \$78,000 to be completed in FY17. An amount of \$45,000 is available in the Village Building Maintenance fund and the \$33,000 balance can be transferred from the General Fund Fund Balance.

Recommendation

Staff recommends the Trustees approve the transfer of General Fund fund balance of \$33,000 in FYE17 to complete this work before further building decay occurs.



MEMORANDUM

TO: Village Trustees
FROM: Pat Scheidel, Municipal Manager
DATE: November 22, 2016
SUBJECT: Trustees Meeting Schedule

TRUSTEES MEETING SCHEDULE/EVENTS

December 9, 6-8 PM, Village Tree Lighting and Train Hop

December 13, 7 AM to 7 PM – Special Village Meeting/Australian ballot voting for UMD at Essex High School

December 13 at 6:30 – Regular Trustees Meeting

December 20 at 9:00 AM – FYE 18 Budget Day

January 10, 2017 at 6:30 PM – Regular Trustees Meeting

- Review FYE 18 Budget

January 24 at 6:30 – Regular Trustees Meeting/Public Hearing on FYE 18 Budget

February 14 at 6:30 – Regular Trustees Meeting

- Adopt FYE 18 Budget and Capital Programs

February 28 at 6:30 – Regular Trustees Meeting

- Adopt Warning for Annual Meeting

**Village of Essex Junction
Job Classification Description**

YOUTH SERVICES LIBRARIAN

GRADE 6

BASIC FUNCTION

To oversee Village library services for children, youth and their caregivers with a commitment to excellent public service to children, creating an atmosphere that encourages a love of books, the exploration of ideas and lifelong learning.

CHARACTERISTIC DUTIES & RESPONSIBILITIES

> Primary

- ▶ Build, manage and promote an outstanding youth collection by performing collection development functions: select books from professional journals, in light of expressed needs of patrons, as well as library budget constraints; weed out damaged or outdated materials; purchase youth library materials. Evaluate and bill for damaged materials. Assign call numbers and occasionally choose subject headings for materials in youth library, and work with Technical Services Assistant to keep catalog accurate within consortium standards. Assess youth material donations to select items for collection and deliver unwanted items to Book Sale.
- ▶ Plans, conducts, and evaluates children's programs to encourage reading, and spark imagination, including Summer Reading Program, story times, special performances, book discussions, after-school and vacation activities, and early literacy initiatives. Planning includes, but is not limited to: research and select programs; write press releases; arrange for other publicity through traditional and online resources; apply for grant funding; order materials; operate needed equipment; coordinate youth programs with other Village departments, community schools, and area organizations; make all necessary arrangements; oversee payment. Prepare a monthly calendar.
- ▶ Works at public service desks, performs all circulation functions, and offers reference and readers' advisory help.
- ▶ Within youth library: assigns tasks and delegates responsibility, determines work schedules, provides training and mentoring as needed, and formally evaluates part-time youth library staff annually. Recruits, interviews and selects new part-time youth library staff in coordination with the Library Director. Trains and mentors new youth library staff. Recruits, selects and trains youth library volunteers. Works cooperatively with Assistant Youth Librarian.

Youth Services Librarian (continued)

- ▶ Provide professional library services for youth library patrons. Oversee all aspects of youth library services including circulation operations and shelving of materials; maintaining displays; proactively assist patrons or groups with use of all library services, and library resources including accessing print, non-print and electronic resources; instructing groups or individuals in library skills.
- ▶ Interprets and applies general library policies and procedures to the public in a customer friendly manner, ensuring a safe environment. Resolves complaints in a timely, pleasant and professional manner.
- ▶ Perform general administrative tasks, budget planning, assisting with short- and long-term planning, preparing invoices and tracking expenditures in the youth library budgets, preparing monthly and annual reports on youth services, documenting program statistics, and other tasks as needed.
- ▶ Provide outreach to school and community groups about library services and activities, and seek opportunities to collaborate with area libraries, organizations and community members to enhance library services provided to the community.
- ▶ Keep abreast of developments in professional library service, and child development trends and issues as they relate to public library service, as well as youth reading trends and emerging formats.
- ▶ Demonstrate proficiency in current and emerging technologies as they relate to library services and seek new ways to utilize the best technological developments in the youth library.

SUPERVISION RECEIVED

General supervision is received from the Library Director.

SUPERVISION EXERCISED

Functional supervision of part-time library staff and volunteers assigned to the youth library, and supervision of adult library staff and volunteers when full time staff in charge.

QUALIFICATIONS

- ▶ Masters in Library Science, plus three years of experience working with youth, preferably in a library environment, or a combination of education and experience from which comparable knowledge and skills are acquired. Supervisory experience preferred.
- ▶ Ability to work cooperatively in a team-centered environment.

Youth Services Librarian (continued)

- ▶ Ability to organize and self-direct work responsibly.
- ▶ Good general knowledge of library structure and organization, with specific training/experience relevant to youth library operations, including familiarity with youth literature; understanding of child development and reading skills; basic cataloging, reference and circulation skills.
- ▶ Good supervisory, program planning and administrative skills.
- ▶ Ability to deal effectively with youth library patrons, as well as a variety of outside individuals, such as staff of local schools, performing artists, other youth librarians, and community groups.
- ▶ Maintain focus under varied conditions including stressful, noisy and distracting conditions.
- ▶ Stay current in technologies required to perform work duties.
- ▶ Physical ability to work in a variety of locations in the library, and to lift and move books and other materials.

DISCLAIMER: The above information is intended to describe the general nature of this position and is not to be considered a complete statement of duties, responsibilities and requirements.

EMPLOYEE ACKNOWLEDGMENT

I acknowledge that I have received this job description. I understand the job to which I am assigned and acknowledge that I can perform the primary duties and responsibilities of the position. I further understand that management has the right to assign job duties and may update the job description from time to time.

Name: _____

Signature: _____

Date: _____

MEMORANDUM

To: Essex Selectboard/Village Trustees

From: Patrick C. Scheidel, Municipal Manager 

Date: November 17, 2016

Re: Consolidation of Clerk's office

Issue

The issue is to inform the Selectboard and Trustees about the consolidated clerk services for the Town and Village.

Discussion

Since 2013, consolidated services delivery has been at the center for our plans for the departments involved. Due to a fortuitous combination of retirements in the Town Clerk's office, the focus of consolidation has been expanded from what was initially thought would be our focus this year.

To accommodate the delivery of clerk services, I have proposed to Susan McNamara-Hill the job of consolidated Town and Village Clerk, which she accepted. At this point, Susan remains a Village employee performing consolidated duties until such time as a final municipal consolidation occurs.

Cost

Consolidation of two functions into one results in an effective delivery of services with ultimate ongoing efficiencies.

Recommendation

This memorandum is for information only.

MINUTES SUBJECT TO CORRECTION BY THE ESSEX JUNCTION TREE ADVISORY COMMITTEE. CHANGES, IF ANY, WILL BE RECORDED IN THE MINUTES OF THE NEXT MEETING OF THE COMMITTEE.

**VILLAGE OF ESSEX JUNCTION
TREE ADVISORY COMMITTEE
MINUTES OF MEETING
NOVEMBER 1, 2016**

MEMBERS PRESENT: Nick Meyer, Warren Spinner, Rich Boyers, and Mary Jo Engel

1. CALL TO ORDER

The meeting was called to order at 5:38 by Nick

2. MINUTES APPROVAL

MOTION by Warren, **SECOND** by MARY JO to approve June and September meeting minutes. All in favor.

3. 4 PEARL STREET UPDATE

Warren indicated that the silva cell planting is progressing.

4. BUDGET REPORT

The committee reviewed the budget report provided by Darby. Nick said that 19 trees were planted during the budget year at a cost of \$3700. Moving forward, Warren suggested that \$4000 should be allocated for trees and another \$1000 for planting. Another \$5000 should be allocated for maintenance for a total of \$10,000. Mary Jo said she will work on a spreadsheet to keep track of expenditures.

5. GREENSCAPE CAPITAL FUND PROPOSAL

Nick suggested that the Village consider a greenscape capital fund for future projects. He proposed that in new developments when planting opportunities are not possible or are deemed unnecessary, payments could be made to a greenscape capital fund rather than to the general fund. These funds could then be used for landscape improvements in future projects that might receive minimal funding, such as the Crescent Connector.

6. PUBLIC WORKS COLLABORATION

Nick said that Public Works Superintendent Rick Jones and his crew attended a pruning workshop. He said that Rick has been a great collaborator.

7. INVENTORY

Nick said that the committee needs to continue to update the tree inventory and suggested that they divide into groups to make the process more efficient. Warren said we could take a look at the trees now and again in the spring if we are unsure about the condition.

Mary Jo said that it would make sense to move trees on the inventory designated as poor to fair if after assessment the decision was made to keep the trees.

8. FUTURE PLANTINGS

Nick reaffirmed the committee's strategy to concentrate planting in one area with South Summit Street being the next likely focus. Nick said that the west side of the street has more right of way, but also has overhead wires. Rich suggested that we might consider crabapples like the Main Street planting. Nick said that clustering planting would also be easier for Rick and his crew to water. Warren said that homeowners might be willing to water if gator bags are supplied.

9. MEMBER RECRUITMENT

Nick updated the committee about recruitment of new members. He indicated that a couple of individuals had expressed interest.

10. ADJOURNMENT

MOTION by NICK, SECOND by RICH to adjourn. All in favor. Meeting adjourned at 6:50 PM.

Respectfully Submitted: Darby Mayville & Rich Boyers

MINUTES SUBJECT TO CORRECTION BY THE ESSEX JUNCTION BIKE/WALK ADVISORY COMMITTEE. CHANGES, IF ANY, WILL BE RECORDED IN THE MINUTES OF THE NEXT MEETING OF THE COMMITTEE.

**VILLAGE OF ESSEX JUNCTION
BIKE/WALK ADVISORY COMMITTEE
MINUTES OF MEETING
NOVEMBER 14, 2016**

MEMBERS PRESENT: Rick Hamlin, Micah Hagan, Jeff Frolik, Eric Bowker, Gabe Epstein, Raj Chawla

ADMINISTRATION: Darby Mayville, Community Relations/Economic Development Assistant

OTHERS: Jim Dirmaier, CTE

1. CALL TO ORDER

Rick called the meeting to order at 5:55 PM.

2. AGENDA ADDITONS

None.

3. CTE BIKE RACK COLLABRATION

Jim Dirmaier, an engineering instructor at CTE, attended the meeting to discuss the bike rack project. He informed them that he and several other instructors had met with Rick, and reviewed possible bike rack designs. All were excited about the project.

Jim began by discussing the project process with the BWAC. He said that there were numerous different ways to go about getting started, and that it would be easy to work into the existing curriculum. He said that his students could draft designs and drawings in CAD. These could be vetted internally, or with the help of the BWAC. The arts academy would also assist with design.

All agreed that it would be good for the students to present their work to the committee. Jim said that doing so would be good preparation for the Skills USA program that many of the students compete in.

Raj suggested asking a local bike rack artist to review the presentations. He also expressed hope that many of these designs are artistic, and encouraged the use of recycled materials.

Rick emphasized that the BWAC has no time expectation for the project, and that the goal is for the students to learn and have fun with the project. It is expected that the framework will purposefully be left open to give the students an opportunity to be creative.

Micah noted that this project had numerous different levels of complexity depending on the design. All agreed that it would be good for all the designs to be a little different.

Jim suggested that some locations, such as ADL and EHS, could have numerous small bike racks put together as one large one for some unique designs.

Rick asked if CTE could do the project fabrication internally, and Jim said that they would be able to do most of it. They have partnerships with local businesses to assist with what they would not be able to do.

The committee discussed the timing of this project. Jim said that he planned to have his students begin design in February, and anticipates that they will be complete in March. He is not sure of the schedules of the other CTE program instructors.

Jim said that he would begin by working with two senior CAD students, and possibly involve some higher level junior students. He said that the goal is to have a full design by the end of the school year, possibly to serve as a demo piece.

Jim has asked for the BWAC's assistance in the following elements of the project:

- Project specs for racks.
- Outline of process:
 1. Plan review;
 2. Obtaining expert input;
 3. Scheduling student presentations.
- Locations
 1. Identify locations;
 2. Assist with contacting owners;
 3. Solicit sponsorships.

The committee discussed the project specs. All agreed that it is important to keep them as open as possible, so that the students are afforded more creativity. They decided that the bike racks must be:

- Fixed, or at least not easily moved.
- Weather and damage resistance
- Not contain sharp edges, or anything else that could harm or damage bikes

The committee will work on developing handlebar widths for the racks. They also decided that there would no restriction on the materials used.

Rick noted that he would be checking in with Community Development Director Robin Pierce to ensure that the bike racks had any necessary permits prior to install.

4. MINUTES REVIEW

**MOTION by JEFF, SECOND by MICAH, to approve the OCTOBER meeting minutes.
ALL IN FAVOR. MOTION PASSED.**

5. NEXT MEETING & AGENDA

The next meeting will be held on December 19th at 5:45 PM. The agenda is TBD.

6. ADJOURNMENT

**MOTION by JEFF, SECOND by MICAH to ADJOURN. Adjourned at 6:45 PM.
MOTION PASSED.**

Respectfully submitted, Darby Mayville.



GBIC

Good Jobs In A Clean Environment

RECEIVED

NOV 08 2016

Village of Essex Junction

November 4, 2016

Members of the Village Trustees
Patrick Scheidel, Manager
Village of Essex Junction
2 Lincoln Street
Essex Junction,
VT 05452

Dear Pat:

GBIC thanks you for the opportunity to submit an appropriation request to the Trustees of the Village of Essex Jct. for FY 2018. Economic development in the State of Vermont continues to be our most important collaborative effort. While our communities continue to thrive, despite the challenges we face, there is much more that can be done to encourage and sustain employment and investment in Chittenden County.

All of what makes Vermont a special place to live, work, and raise a family depends on a healthy and competitive economy. A quality environment, meaningful social programs, vibrant communities and economic opportunity for current and future generations of Vermonters all hinge on the capacity of the state's economy to generate the required public resources.

For more than 60 years, GBIC has endeavored to enhance the quality of life for the people of Chittenden County through the creation of high wage economic opportunities. It is the goal of GBIC to support the creation and retention of high quality jobs and strengthen the competitiveness of our region's businesses and advance our overall economy. We will not maintain, much less enhance, our valued quality of life without a strong and dynamic economy.

As a non-profit business and community service organization, it is essential that we solicit annual financial assistance. **We would like to thank the Village of Essex Jct for its support in the past and for the opportunity to submit this request to consider an appropriation of \$500 for GBIC for FY 2018.** Your support allows us to provide necessary economic development programs and services throughout Chittenden County.



GBIC

Good Jobs In A Clean Environment

The Articles of Association of GBIC provide that the chief-elected official of each community in Chittenden County is a member of GBIC's corporation. The members have the opportunity to attend the annual membership meeting each year in June to elect directors and also attend any special meetings of the membership that may be called during the year. In addition, each municipality may select one person to serve on either the Regional or Government Affairs Committees that meet once a month and serve as the legislative advocacy committees for both GBIC and the Lake Champlain Regional Chamber of Commerce.

Our staff, as well as the members of our Board, would welcome the opportunity to meet with you if we may be of service at any time.

Following please find information about GBIC's work during the past fiscal year and a more detailed explanation of GBIC programs and services.

Thank you for helping us to continue to provide "Good Jobs in a Clean Environment."

Sincerely,

Frank Cioffi

President



GBIC

Good Jobs In A Clean Environment

Greater Burlington Industrial Corporation (GBIC) Activities for FY 2016

Over the past year the Village of Essex Jct and its residents have benefited in several ways from GBIC's initiatives. GBIC has worked with value-added and manufacturing businesses located in Essex Jct, like Flex A Seal, and others, to facilitate their growth, and to ensure that their needs are met so that they are able to continue to provide high-paying jobs in Chittenden County. GBIC continues to work with the state and local government to strengthen the local economy and provide jobs for all residents.

GBIC also continued to work closely in cooperation with Vermont Technology Council and the Vermont Center for Emerging Technology (VCET) to develop the young businesses with dynamic growth potential to provide the future job opportunities for Essex Jct and the region.

GBIC has worked on many initiatives for the benefit of our County and our region. In partnership with the Chittenden County Regional Planning Commission, GBIC updated the new Comprehensive Economic Development Strategy (CEDS) for Chittenden County. Updating the CEDS makes our county EDA compliant and potentially enables Chittenden County organizations and municipalities to apply for and receive up to 50% federal funding for projects that directly aid and support economic development. Working closely with municipalities and communities to ensure the inclusion of qualifying projects is an important component of building a meaningful CEDS.

Regional Contacts

During the past year GBIC conducted **132 visits/contacts** with our region's high value-added businesses and essential organizations and institutions critical to economic development in Northwestern Vermont and statewide. Our business visits/contacts during the past twelve months involved companies employing over **36,000** Vermonters.

Vermont Training Program

GBIC facilitated the award of **7 grant contracts, totaling over \$392,000**, from the Vermont Training Program to Chittenden County businesses. These contracts served to train new employees and retrain incumbent workers, and greatly contributed to our continued regional economic development.

Vermont Economic Development Authority

In FY16, **33** area businesses applied to VEDA for financing, resulting in over **\$5 million** dollars worth of VEDA commercial loans being closed in Chittenden County.



GBIC

Good Jobs In A Clean Environment

Vermont Employment Growth Incentive Program

In FY16, GBIC facilitated, through the Vermont Economic Progress Council, the approval of a Vermont Employment Growth Incentive award totaling over **\$525,000** for an expanding business in the Chittenden County region.

Government Affairs

The vibrant partnership between GBIC and the Lake Champlain Regional Chamber of Commerce continues to provide top notch legislative advocacy for the economic backbone of our region. In addition to tracking and providing input on issues, we proposed a number of ideas to help our region, our employers and their employees succeed. We are pleased to report that many of those ideas were not only enacted, but embraced by the Legislature.



GBIC

Good Jobs In A Clean Environment

GBIC Vision

“A thriving Lake Champlain region with an economic environment providing meaningful employment consistent with an uncompromised natural environment, enabling present and future generations of Vermonters to live, learn, work, and play in the Champlain Valley.”

GBIC Mission

“To attract, retain, and expand environmentally sensitive high-paying jobs in the Champlain Valley; and to initiate and support advocacy, education, and collaboration programs in promoting our Vision.”

The Greater Burlington Industrial Corporation ~ GBIC ~ is a non-profit economic development corporation. In 1954, fifty municipal officials and civic leaders from the Greater Burlington area incorporated GBIC in response to an Act of the Vermont Legislature. As a group of citizens interested in creating quality economic opportunities for future generations in Chittenden County, the founders represented a remarkable commitment and consensus around economic development.

Like each of the state’s twelve Regional Economic Development Corporations (RDCs), GBIC is affiliated with the Vermont Department of Economic Development and the Vermont Agency of Commerce and Community Development. In addition, GBIC works closely with state officials and others to help sustain a positive business climate and provide support in such areas as the labor and housing markets, business financing, education, export assistance, transportation, growth planning and development issues, and environmental concerns.

GBIC is the RDC responsible for Chittenden County. Chittenden County is Vermont's largest county and it has the state’s most significant and diverse demographic and economic base. Since its founding, GBIC has served as a catalyst for economic opportunity in Chittenden County, helping local businesses with their concerns and working to attract new business investments and high value-added employment opportunities to the region. GBIC’s efforts have provided quality economic opportunities and jobs for thousands of Vermonters. Because of the region’s size and scope, GBIC is a vital partner in Vermont’s overall economic development.

GBIC has developed seven industrial parks and operates a Foreign-Trade Zone in the Chittenden County region. GBIC has played an important role in assisting in the creation and retention of thousands of new jobs in the value-added industry sectors, which have in turn paved the way for thousands of additional supporting jobs in the wholesale, retail, and service trades. This underscores the focus of GBIC on value-adding industries. The primary goal of GBIC is the creation and retention of value-added jobs that will draw dollars into the state, strengthen the region’s economy and improve the quality of life for area



GBIC

Good Jobs In A Clean Environment

residents. The economic focus of GBIC is the region's value-added industry sectors and the region's economy-driving businesses.

GBIC conducts annual visits to each municipality. Additionally each year, GBIC completes contacts/meetings with Chittenden County businesses. GBIC conducts continuous community outreach efforts with many organizations both regionally and statewide that affect economic and community development. This outreach includes the Vermont Technology Council, the Lake Champlain Regional Workforce Investment Board, the Lake Champlain Regional Chamber of Commerce, the Champlain Initiative, the University of Vermont, the Vermont Center for Emerging Technologies, and many others.

GBIC provides the following core economic development programs and services to the municipalities and value-added businesses of Chittenden County.

- Business Resource Forums
- Regional Promotion & Marketing
- Incentive Program Assistance
- Legislative & Government Advocacy
- Business Development Support
- Economic Incentives Assistance to Municipalities
- Permit Facilitation Services
- Business retention/expansion support
- VEDA Financing Assistance
- Workforce Education & Training
- Business Recruitment Services
- Comprehensive Economic Development Strategy (CEDS)

Site Selection

GBIC, with the assistance of its sister corporation, Cynosure, works with area developers and real estate brokers to find appropriate sites for companies. Cynosure independently owns, builds and leases manufacturing and value-added business properties within Chittenden County. GBIC introduces companies to new and existing properties and facilitates relationships with developers in the construction of facilities.

Networking

Because enterprise growth also means economic growth, GBIC promotes business networking through value-added business roundtables, forums and working groups.

Financing Assistance

GBIC assists businesses with researching and soliciting state and private financing for development projects in Chittenden County. As a Vermont Economic Development Authority (VEDA) financing facilitator for Greater Burlington, GBIC educates prospects about loan opportunities and assists in the application process by working closely with commercial bankers and equity financing sources.



GBIC

Good Jobs In A Clean Environment

Permit Assistance

GBIC is familiar with Vermont's permitting system and works to create facilitation teams for all phases of important economic development projects. Based on successful economic development models, GBIC brings together consultants, local and regional officials, and community members to support important economic development projects at every stage of the permitting process.

Workforce Investment – Education and Training

GBIC works with Vermont's business and education leaders to cultivate a pool of exemplary candidates for prospective employers. GBIC and the Chamber jointly oversee the operation of the Lake Champlain Workforce Collaborative (LCWC), a 25 member community collaborative composed of employers, educators, state agencies, and other stakeholders. The LCWC operates the Education and Training Division at the Chamber and GBIC and supports school-to-work initiatives, internship programs, the E-Learning Center for Business, and strategic long range planning for workforce development in our region. GBIC connects companies with other workforce development and training programs through the Vermont Department of Labor and the Vermont Training Program in the Vermont Department of Economic Development.

Overcoming Problems

GBIC is an important resource and facilitator for Chittenden County value-added employers who need the expertise and services of an established participant in the Vermont economic development community.

Our Team

Frank Cioffi
President

frank@vermont.org

Curt Carter
Vice President

curt@vermont.org

Seth Bowden
Director of Business
Development

seth@vermont.org

Response to Nicks Letter to the Trustees 10/9/2016

Nick stated correctly that the cost allocated to landscaping in percentage ranges from 3% on a project costing less than \$250,000 to 2% on projects over that threshold. However the 2% is a minimum on larger projects. In addition hard and soft landscaping is included in the percentages.

In terms of projects not spending the required amount because the project has limited landscaping opportunities I am not aware of a project that did not spend the required amount on landscaping in one form or another. In some cases the applicant makes a cash payment to the Village in lieu of the landscape and (ideally) this is allocated to other landscaping needs. In one instance it was allocated to the general fund, I believe, to make up for a shortfall elsewhere.

CTE has entered into an innovative partnership with the Village that enabled them (CTE) to expand the curriculum opportunities they provide to residents and, once the Urban Tree Nursery produces sizable product, will reduce the cost of trees, tree planting and maintenance into the future for the Village. This will also take pressure off our Public Works Department. Some information I was given tells me that in 2012 the cost to supply and plant a tree ranged from \$360-\$400 per tree. In 2013 it ranged from \$350-\$500 per tree. In some cases Public Works have planted trees.

The Village enabled this startup with a grant Staff obtained from the State. The grant had a fifty percent Village match, which seems to not have been paid in full. To date the grant has contributed \$3,000 for the CTE nursery. It looks like the Village was supposed to match this with another \$3,000 but we can only find records of a \$1,500 match. Therefore we owe CTE \$1,500 to meet the requirements of the grant. For the Village cost to start an urban tree nursery be \$1,500 (to date), or even \$3,000, when the supply and planting of three trees can cost that much means we have made a very good deal that, once the nursery is established, will bring benefits well into the future. It is not as Nick said, 'a sizable amount of seed money' from the Village to start an Urban Tree Nursery. We get the advantage of not having to buy land, pay salaries and benefits for employees, pay utility costs etc.

The PC approval Nick mentioned on August 18, asked that the landscaping fee be provided to the Village for the purposes of providing the funding for the Tree Nursery. Not a direct payment to the Tree Nursery as Nick suggested. Direct quote from the Decision: "**The applicant will donate a percentage of the required landscape budget to CTE via the Village for the urban tree nursery project.**" This gives the Village the ability to control payment of the funds based on progress at the Nursery.

The whole idea of Staff negotiating the partnership with CTE was to increase the potential for greening the urban streetscape. Now, and going into the future. Staff, residents, may come and go. It is probable that CTE will be here longer than both. As the program develops and students graduate with urban tree skills it will add richness to the Village landscape in a way that we could never accomplish getting intermittent funds from projects that may or may not occur. The relationship with CTE creates a pipeline that will provide (free) trees to the Village for the foreseeable future. It should be nurtured. It is something to be proud of.



RECEIVED

OCT 11 2016

Village of Essex Junction

10/9/16

Dear Trustees,

As you know, I am a member of the Tree Advisory Committee and previously sat on the Planning Commission. I would like to make a suggestion to the board.

As you know, the LDC requires a developer to furnish a landscape plan as part of a development application. If the application is approved, the applicant is required to allocate at least 3% of the total project cost on landscaping for projects costing up to \$250,000. On projects above this amount, the rate declines to 2% of the total project cost. The value of a well landscaped project can not be overstated. Unfortunately, there are a few situations when the proposal may have limited landscaping opportunities resulting in the projects not spending the required amount.

I propose that the Village establish a capital fund dedicated to green space improvements and beautification projects in the Village. This fund could be leveraged to obtain grants. Downtown greening projects are very expensive. For example, the proposed Crescent Connector does not include any budget for tree planting. This fund might be used to help fund the project as well as other downtown projects.

At the August 18 PC meeting the Commission approved the Flex-A-Seal application. In the comment phase, Robin Pierce made the suggestion that the applicant make a donation to the Center for Technology and the CTE Urban Nursery in lieu of the landscaping requirement. This suggestion was adopted in the project approval, Motion #6, found on page 4 of the August 18, 2016 minutes. The Village has already given a sizable amount of seed money toward this program. I certainly hope that the Tree Nursery project becomes a reality, but I do not believe that the PC is in a position to direct applicants to make donations to other organizations. I would suggest that the required funds be placed in the new capital fund dedicated to green space improvements and beautification in the Village.

I know this may not be at the top of your priority list but green space, particularly in our downtown, is beneficial to everyone and the Village should collect the required funds which then could be allocated to the green space capital fund.

Thanks for your consideration. Feel free to contact me for further conversation.

Nick Meyer
233-9493

Patty Benoit

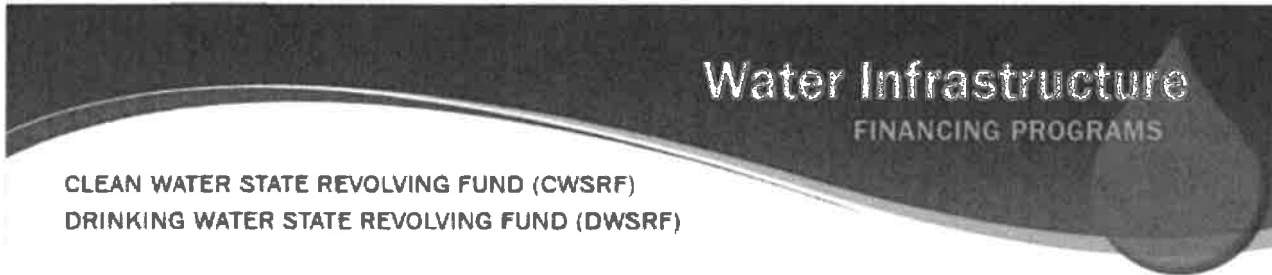
Subject: FW: Drinking Water Project Priority List update & Clean Water FY16 IUP Amendment

From: Water Infrastructure Financing Programs [<mailto:ashley.lucht@vermont.gov>]

Sent: Tuesday, November 15, 2016 2:30 PM

To: Patrick C. Scheidel <pats@essexjunction.org>

Subject: Drinking Water Project Priority List update & Clean Water FY16 IUP Amendment



DWSRF Priority List Ranking Criteria Changes
DWSRF Planning Loan Forgiveness Eligibility Changes
CWSRF FY16 Affordability Criteria Changes
November 15, 2016

Dear Patrick,

A public hearing on the Drinking Water State Revolving Fund (DWSRF) Priority List ranking criteria changes, Planning Loan Forgiveness eligibility changes, and the FFY16 Clean Water State Revolving Fund (CWSRF) affordability criteria changes will be held on Thursday December 1, 2016. This meeting will be held at the National Life campus in Montpelier, VT in the Calvin Coolidge Room (6th Floor of the Davis Building) from 1:30PM until 3PM. Public comment will be accepted until COB Friday December 9, 2016.

For reference, here are the draft documents for public review and comment: [draft DWSRF Priority List Application](#), [draft DWSRF Priority List Criteria](#), [draft Planning Loan Forgiveness eligibility](#) (Guidance Document #22 changes are highlighted), [draft FY16 CWSRF Affordability Criteria](#). A subsequent notice will be provided for links to the CWSRF criteria.

If you have DWSRF questions, please contact Ashley Lucht at 802 585 4904 or by [email](#). For CWSRF questions, please contact Terisa Thomas at 802 249 2413 or by [email](#). We look forward to assisting you with your infrastructure improvement needs.

Sincerely,

Water Infrastructure Finance Team
Facilities Engineering Division
Department of Environmental Conservation

**VILLAGE OF ESSEX JUNCTION
BOARD OF TRUSTEES
MINUTES OF MEETING
November 8, 2016**

BOARD OF TRUSTEES: George Tyler (Village President); Dan Kerin, Andrew Brown, Elaine Sopchak. (Lori Houghton was absent.)
ADMINISTRATION: Pat Scheidel, Municipal Manager; Lauren Morrissette, Finance Director/Assistant Manager.
OTHERS PRESENT: Ally Vile, Liz Subin.

1. CALL TO ORDER and PLEDGE OF ALLEGIANCE

Village President, George Tyler, called the meeting to order at 6:30 PM and led the assemblage in the Pledge of Allegiance.

2. AGENDA CHANGES/APPROVAL

The following change(s) to the agenda were noted:

- Add to Old Business:
 - Memo from Robin Pierce, dated 11/8/16, re: Update of LDC
- Add to New Business:
 - Memo from Robin Pierce, dated 11/8/16, re: Autumn Pond Contractor Parking
- Add to Reading File:
 - Request for Employee Association Contract Negotiation, dated 11/7/16
- Add to Consent Agenda:
 - Warrant Report, dated 11/4/16, in the amount of \$274,566.67.

MOTION by Dan Kerin, SECOND by Elaine Sopchak, to accept the agenda as amended. VOTING: unanimous (4-0); motion carried.

3. GUESTS, PRESENTATIONS, PUBLIC HEARINGS

1. Comments from Public on Items Not on Agenda
None.

2. Request for Public Engagement Workshop/Engagement Advisory Board
Liz Subin explained the recommendation by Matt Leighninger to form a public engagement advisory board and to hold a workshop on December 2, 2016. The Trustees are invited to the daylong workshop. The consultant recommends the advisory board have paid staff support (one from the school and one from the municipality) and elected and appointed people.

Elaine Sopchak asked about the timeline if all the recommendations are adopted. Liz Subin said this will be discussed at the workshop. There is much to figure out around the timeline to realize the recommendations and having government, community, and the schools working together is the best situation.

MOTION by George Tyler, SECOND by Elaine Sopchak, that the Board of Trustees endorse the effort to have a public engagement workshop on 12/2/16. VOTING: unanimous (4-0); motion carried.

4. OLD BUSINESS

MOTION by George Tyler, SECOND by Andrew Brown, to amend the agenda to advance discussion/adoption of the Warning for the UMD vote. VOTING: unanimous (4-0); motion carried.

1. Adopt/Sign Warning for UMD Vote on December 13, 2016

MOTION by George Tyler, SECOND by Dan Kerin, to adopt and sign the Warning for a Special Village Meeting on December 13, 2016 on the formation of a recreation union municipal district. VOTING: unanimous (4-0); motion carried.

2. Adopt Amended Land Development Code

Following discussion the Trustees agreed to the following:

- Section 611.F Building Heights should read: “The height of any structure shall not exceed four stories or fifty-eight (58) feet whichever is less. The Commission may waive this requirement to no more than six stories or seventy-two (72) feet upon clear determination that the waiver is necessary for proper functioning of any permitted industrial use and that it will not adversely impact any surrounding properties.”
- Waiver language for building height needs to be removed from Sections 606.F, 607.F, and 615.F.
- Add “building heights (for Light Industrial only)” to the list of criteria in Section 511.B.
- Staff will confirm the language was inserted in the LDC pertaining to building height permitted in the district above preconstruction grade with the approval of the Planning Commission.

MOTION by George Tyler, SECOND by Elaine Sopchak, to give preliminary approval of the LDC pending Board of Trustees review of the document with the revisions incorporated. VOTING: unanimous (4-0); motion carried.

5. NEW BUSINESS

1. Health Insurance Advisory Services Agreement

Lauren Morriseau reported with the Village Clerk becoming the Town Clerk there is no longer available time to review health insurance benefits. Staff is requesting the services of Hickok & Boardman for advice and strategic planning relative to these employee benefits.

MOTION by George Tyler, SECOND by Andrew Brown, that the Trustees approve the Health Insurance Advisory Agreement as presented and authorize the Municipal Manager to sign the agreement. VOTING: unanimous (4-0); motion carried.

2. Autumn Pond Winter Contractor Parking

MOTION by Dan Kerin, SECOND by Andrew Brown, to approve the request for temporary parking in the overflow parking area on the Tree Farm contiguous with the development with access, egress, and ingress from Autumn Pond only and encourage the Selectboard to concur.

DISCUSSION: George Tyler mentioned the walking path and new goal posts provided by Autumn Pond. There were no further comments.

VOTING: unanimous (4-0); motion carried.

6. **MANAGER'S REPORT**

1. Meeting Schedule – Regular Trustees Meetings @ 6:30 PM

- November 22, 2016
- December 13, 2016
- January 10, 2017
- January 24, 2017
- February 14, 2017
- February 28, 2017

* November 15, 2016 – Special Meeting on Information for UMD Vote

* December 9, 2016 – Village Tree Lighting and Train Hop

* December 13, 2016 – Special Village Meeting/Australian Vote

* December 20, 2016 – Full Day FYE18 Budget Day

2. Political Signs in the Right-of-Way

Per the LDC regulations and the Trustees policy the Highway Department is picking up political signs in the public right-of-way. The signs can be claimed at the highway garage.

7. **TRUSTEES COMMENTS/CONCERNS & READING FILE**

1. Board Member Comments

- Andrew Brown announced Lori Houghton and Dylan Giambatista won seats in the State House of Representatives.
- The Trustees agreed to discuss the resolution from the Town of Colchester on retaining the circ highway right-of-way at the next Trustees meeting.

2. Reading File

- Minutes:
 - Capital Program Review Committee 11/1/16
- Email from Glenn Rogers re: Tax Rates
- Letter to Public Service Board from Robin Pierce
- Chittenden Solid Waste District FYE16 Annual Report
- Letters to Department of Environmental Conservation re: VT Wetlands Rules
- Letter to George Tyler, dated 11/7/16, Re: Negotiation of the Employees Association Contract

8. **CONSENT AGENDA**

MOTION by Andrew Brown, SECOND by Dan Kerin, to approve the consent agenda with the addition of the Warrant Report, dated 11/4/16, in the amount of \$274,566.67 and as follows:

- 1. Approve Minutes of Previous Meeting(s), 10/25/16 & 10/28/16**
- 2. Expense Warrant #17017, dated 10/27/16, in the amount of \$37,794.13.**

VOTING: unanimous (4-0); motion carried.

9. ADJOURNMENT

MOTION by Dan Kerin, SECOND by Andrew Brown, to adjourn the meeting.

VOTING: unanimous (4-0); motion carried.

The meeting was adjourned at 7:58 PM.

RScty: M.E.Riordan

per

11/16/16

Town of Essex / Village of EJ Accounts Payable

Page 1 of 2

03:41 pm

Check Warrant Report # 17019 Current Prior Next FY Invoices For Fund (GENERAL FUND)

HPackard

For Check Acct 01 (GENERAL FUND) All check #s 11/10/16 To 11/10/16 & Fund 2

Vendor	Invoice Date	Invoice Description Invoice Number	Account	Amount Paid	Check Number	Check Date
V9429	11/01/16	AQUARIUS LANDSCAPE INC. LH WINTERIZATION 541511	210-41940.434 MAINT. BUILDINGS/GROUNDS	147.95	7994	11/10/16
24780	10/31/16	AUTO ELECTRIC INC ST SALTER MOTOR 26390	210-43110.432 VEHICLE MAINTENANCE	487.00	7995	11/10/16
02420	10/24/16	AUTOZONE VF MOLDING TAPE 10242016D	210-42220.432 VEHICLE MAINTENANCE	9.24	7996	11/10/16
02420	10/16/16	AUTOZONE VF DEF FLUID 3236792540	210-42220.432 VEHICLE MAINTENANCE	7.49	7996	11/10/16
22150	11/08/16	BFFA LOCAL 3044 VF training seminar fees 110816D	210-42220.500 TRAINING, CONFERENCES, DU	200.00	7998	11/10/16
		Daniel Macaig, Haley Leo				
00530	04/20/16	BRODART CO BL BOOKS B4422399	210-45551.641 JUVEN COLLECTION-PRNT & E	13.94	7999	11/10/16
00530	04/20/16	BRODART CO BL BOOKS B4422399	210-45551.610 SUPPLIES	0.90	7999	11/10/16
00530	04/20/16	BRODART CO BL BOOKS B4422400	210-45551.640 ADULT COLLECTION-PRINT &	396.63	7999	11/10/16
00530	04/20/16	BRODART CO BL BOOKS B4422400	210-45551.610 SUPPLIES	5.70	7999	11/10/16
00530	07/28/16	BRODART CO BF BOOKS B4612535	210-49345.000 LIBRARY DONATION EXPENDIT	15.75	7999	11/10/16
23170	10/31/16	CHAMPLAIN OIL CO., INC. VA OCTOBER VEHICLE FUEL CL188158	210-42220.626 GAS, GREASE AND OIL	432.04	8002	11/10/16
23170	10/31/16	CHAMPLAIN OIL CO., INC. VA OCTOBER VEHICLE FUEL CL188158	210-43110.626 GAS, GREASE AND OIL	1246.16	8002	11/10/16
27420	10/18/16	DAVE WHITCOMB'S SERVICE ST BALL JOINT, TIE ROD 3978	210-43110.432 VEHICLE MAINTENANCE	596.52	8004	11/10/16
07010	10/25/16	GREEN MOUNTAIN POWER CORP VA OCT CONSOLIDATED BILL 10160206201	210-42220.622 ELECTRICAL SERVICE	598.78	8008	11/10/16
07010	10/25/16	GREEN MOUNTAIN POWER CORP VA OCT CONSOLIDATED BILL 10160206201	210-41940.622 ELECTRICAL SERVICE	598.78	8008	11/10/16
07010	10/25/16	GREEN MOUNTAIN POWER CORP VA OCT CONSOLIDATED BILL 10160206201	210-43160.622 STREET LIGHTS - ELECTRICI	10359.69	8008	11/10/16
07010	10/25/16	GREEN MOUNTAIN POWER CORP VA OCT CONSOLIDATED BILL 10160206201	210-43110.622 ELECTRICAL SERVICE	264.14	8008	11/10/16
07010	10/25/16	GREEN MOUNTAIN POWER CORP VA OCT CONSOLIDATED BILL 10160206201	210-45551.622 ELECTRICAL SERVICE	1203.42	8008	11/10/16
07010	10/25/16	GREEN MOUNTAIN POWER CORP VA OCT CONSOLIDATED BILL 10160206201	210-43123.622 TRAFFIC LIGHTS - ELECTRIC	497.87	8008	11/10/16
26385	11/03/16	PROFESSIONAL WRITING SERV AD/CD OCTOBER MINUTES 764-ES	210-41320.530 COMMUNICATIONS	528.00	8012	11/10/16
26385	11/03/16	PROFESSIONAL WRITING SERV AD/CD OCTOBER MINUTES 764-ES	210-41970.530 COMMUNICATIONS	110.00	8012	11/10/16
36130	10/19/16	VERIZON WIRELESS ST PHONE SERVICE 9773911458	210-43110.535 TELEPHONE SERVICES	334.06	8015	11/10/16
V10636	11/01/16	HEALTHYQUITY AD FSA Admin-November 161116463	210-41320.210 HEALTH INS & OTHER BENEFIT	3.45	16111010	11/10/16
21570	11/08/16	PETTY CASH - LOU ANN PIOL SC ITEMS FOR FUNDRAISERS 161108D	225-45122.614 PROGRAM EXPENSES	7.45	8010	11/10/16
21570	11/08/16	PETTY CASH - LOU ANN PIOL SC ITEMS FOR FUNDRAISERS 161108D	225-45122.612 FUND RAISER EXPENSES	151.93	8010	11/10/16

11/16/16
03:41 pm

Town of Essex / Village of EJ Accounts Payable
Check Warrant Report # 17019 Current Prior Next FY Invoices For Fund (GENERAL FUND)
For Check Acct 01(GENERAL FUND) All check #s 11/10/16 To 11/10/16 & Fund 2

Page 2 of 2
HPackard

Vendor	Invoice Date	Invoice Description Invoice Number	Account	Amount Paid	Check Number	Check Date
21570	11/08/16	SC ITEMS FOR FUNDRAISERS 161108D	225-45122.812	7.18	8010	11/10/16
02035	07/21/16	VW water tech ad 5816730	254-43200.572	574.00	8000	11/10/16
23170	10/31/16	VA OCTOBER VEHICLE FUEL CL188158	254-43200.626	127.21	8002	11/10/16
18000	10/27/16	VW ERIE CURB BOXES 0726285-1	254-43200.614	260.93	8005	11/10/16
07010	10/25/16	VA OCT CONSOLIDATED BILL 10160206201	254-43200.622	56.94	8008	11/10/16
23170	10/31/16	VA OCTOBER VEHICLE FUEL CL188158	255-43200.626	206.30	8002	11/10/16
36825	11/01/16	WW MOWER BLADE 071464	255-43200.570	18.94	8014	11/10/16
23170	10/31/16	VA OCTOBER VEHICLE FUEL CL188158	256-43200.626	127.44	8002	11/10/16
07010	10/25/16	VA OCT CONSOLIDATED BILL 10160206201	256-43220.001	408.53	8008	11/10/16
07010	10/25/16	VA OCT CONSOLIDATED BILL 10160206201	256-43220.002	575.48	8008	11/10/16
07010	10/25/16	VA OCT CONSOLIDATED BILL 10160206201	256-43200.622	878.72	8008	11/10/16
36130	10/23/16	WW VPN 9774258458	256-43220.002	31.66	8015	11/10/16
36130	10/23/16	WW VPN 9774258458	256-43220.001	31.66	8015	11/10/16
36130	10/23/16	WW VPN 9774258458	256-43200.434	122.90	8015	11/10/16

Report Total

21644.78

...

Account	Budget	Actual	Budget Balance	Actual % of Budget
210-31101.000 PROPERTY TAXES-CURRENT	2,482,765.00	1,372,022.17	1,110,742.83	55.26%
210-33546.000 STATE FOR VT PILOT & CURR	1,900.00	0.00	1,900.00	0.00%
210-33582.000 ESSEX TOWN CONTRIB. TO LI	15,000.00	0.00	15,000.00	0.00%
210-33582.001 TOWN STORMWATER PAYMENT	59,352.00	14,838.00	44,514.00	25.00%
210-33582.002 TOWN STREET DEPT PAYMENT	1,000,642.00	250,160.50	750,481.50	25.00%
210-34130.000 LICENSE AND ZONING FEE	50,000.00	7,717.00	42,283.00	15.43%
210-34131.000 WHITCOMB FARM SOLAR PILOT	5,400.00	0.00	5,400.00	0.00%
210-34221.000 MISCELLANEOUS FIRE RECEIP	20.00	0.00	20.00	0.00%
210-35130.000 STATE DISTRICT COURT FINE	500.00	888.50	-388.50	177.70%
210-36102.000 INTEREST EARNINGS	1,500.00	979.30	520.70	65.29%
210-36201.000 PARKING SPACE FEES	4,800.00	1,600.00	3,200.00	33.33%
210-36202.000 LINCOLN HALL RENTALS	1.00	0.00	1.00	0.00%
210-36400.000 BLOCK PARTY CONTRIBUTIONS	1,500.00	0.00	1,500.00	0.00%
210-36603.000 MISC. - UNCLASSIFIED RECE	2,000.00	371.62	1,628.38	18.58%
210-36605.000 MISCELLANEOUS STREET RECE	3,000.00	294.00	2,706.00	9.80%
210-36606.000 MISCELLANEOUS LIBRARY REC	400.00	210.40	189.60	52.60%
210-39154.000 SERVICE FEE - WATER	113,888.00	28,472.00	85,416.00	25.00%
210-39155.000 SERVICE FEE - WWTP	56,944.00	14,236.00	42,708.00	25.00%
210-39156.000 SERVICE FEE - SANITATION	113,888.00	28,472.00	85,416.00	25.00%
210-395 UNBUDGETED REVENUE				
210-39501.000 OTHER DONATIONS	4,575.00	0.00	4,575.00	0.00%
210-39508.000 DONATIONS TO LIBRARY	0.00	1,243.55	-1,243.55	100.00%
210-39508.001 BROWNELL LIBRARY GRANTS	0.00	142.50	-142.50	100.00%
210-39590.001 ADULT REPLACEMENT RECEIPT	0.00	563.63	-563.63	100.00%
210-39590.002 JUVENILE REPLACEMENT RECE	0.00	427.00	-427.00	100.00%
Total UNBUDGETED REVENUE	4,575.00	2,376.68	2,198.32	51.95%
Total Revenues	3,918,075.00	1,722,638.17	2,195,436.83	43.97%
210-41 GENERAL GOVERNMENT				
210-413 GENERAL EXPENSES				
210-41320 ADMINISTRATION				
210-41320.1 ADMIN SALARIES				
210-41320.110 SALARIES REGULAR	280,713.00	87,283.40	193,429.60	31.09%
210-41320.130 SALARIES OVERTIME	2,500.00	2,071.52	428.48	82.86%
210-41320.140 SALARIES PART TIME	13,751.00	5,560.68	8,190.32	40.44%
210-41320.150 MANAGER CONTRACT	64,575.00	21,525.00	43,050.00	33.33%
Total ADMIN SALARIES	361,539.00	116,440.60	245,098.40	32.21%
210-41320.2 ADMIN BENEFITS				
210-41320.210 HEALTH INS & OTHER BENEFI	70,751.00	23,649.21	47,101.79	33.43%
210-41320.220 SOCIAL SECURITY	23,333.00	8,044.88	15,288.12	34.48%
210-41320.226 WORKERS COMP INSURANCE	896.00	284.91	611.09	31.80%
210-41320.230 RETIREMENT	28,071.00	8,579.41	19,491.59	30.56%
210-41320.250 UNEMPLOYMENT INSURANCE	607.00	16.48	590.52	2.71%
210-41320.291 HEALTH IMPROV PROGRAMS	1,600.00	1,063.01	536.99	66.44%
Total ADMIN BENEFITS	125,258.00	41,637.90	83,620.10	33.24%

Account	Budget	Actual	Budget Balance %	Actual % of Budget
210-41320.310 BOARD MEMBER FEES	2,500.00	625.00	1,875.00	25.00%
210-41320.320 LEGAL SERVICES	15,000.00	2,343.00	12,657.00	15.62%
210-41320.330 OTHER PROFESSIONAL SERVIC	1,000.00	0.00	1,000.00	0.00%
210-41320.335 AUDIT	7,059.00	490.73	6,568.27	6.95%
210-41320.340 COMPUTER EXPENSES	13,000.00	2,067.74	10,932.26	15.91%
210-41320.442 LEASED SERVICES	4,800.00	1,580.42	3,219.58	32.93%
210-41320.500 TRAINING, CONFERENCES, DU	13,734.00	1,274.52	12,459.48	9.28%
210-41320.521 LIABILITY & PROPERTY INS.	8,619.00	4,463.85	4,155.15	51.79%
210-41320.522 PUBLIC OFFICIALS LIABILIT	6,386.00	3,158.25	3,227.75	49.46%
210-41320.530 COMMUNICATIONS	16,806.00	9,083.22	7,722.78	54.05%
210-41320.535 TELEPHONE SERVICES	1,980.00	569.60	1,410.40	28.77%
210-41320.536 POSTAGE	4,000.00	2,842.41	1,157.59	71.06%
210-41320.550 PRINTING AND ADVERTISING	5,500.00	730.00	4,770.00	13.27%
210-41320.560 TRUSTEES EXPENDITURES	4,000.00	132.18	3,867.82	3.30%
210-41320.571 PAY & CLASSIFICATION STUD	200.00	0.00	200.00	0.00%
210-41320.580 TRAVEL	0.00	57.02	-57.02	100.00%
210-41320.610 SUPPLIES	6,000.00	1,936.47	4,063.53	32.27%
210-41320.820 ELECTIONS	1,500.00	0.00	1,500.00	0.00%
210-41320.835 HOLIDAY EXPENSE	1,250.00	25.00	1,225.00	2.00%
210-41320.891 CAPITAL OUTLAY	3,000.00	0.00	3,000.00	0.00%
Total ADMINISTRATION	603,131.00	189,457.91	413,673.09	31.41%
210-41335 ECONOMIC DEVELOPMENT				
210-41335.1 ECON DEV SALARIES				
210-41335.110 SALARIES REGULAR	29,532.00	8,887.15	20,644.85	30.09%
210-41335.140 SALARIES PART TIME	5,850.00	3,300.00	2,550.00	56.41%
Total ECON DEV SALARIES	35,382.00	12,187.15	23,194.85	34.44%
210-41335.2 ECON DEV BENEFITS				
210-41335.210 HEALTH INS & OTHER BENEFI	17,688.00	5,572.74	12,115.26	31.51%
210-41335.220 SOCIAL SECURITY	2,733.00	680.54	2,052.46	24.90%
210-41335.226 WORKERS COMP INSURANCE	107.00	36.21	70.79	33.84%
210-41335.230 RETIREMENT	2,953.00	888.87	2,064.13	30.10%
210-41335.250 UNEMPLOYMENT INSURANCE	170.00	14.89	155.11	8.76%
Total ECON DEV BENEFITS	23,651.00	7,193.25	16,457.75	30.41%
210-41335.521 LIABILITY & PROPERTY INS.	188.00	175.24	12.76	93.21%
210-41335.810 COMMUNITY EVENTS & PROGRA	4,000.00	748.75	3,251.25	18.72%
210-41335.811 ANNUAL SUPPORT OF ORGNIZA	9,300.00	7,590.00	1,710.00	81.61%
210-41335.812 NEW PROGRAMS	2,500.00	0.00	2,500.00	0.00%
210-41335.813 MATCHING GRANT FUNDS	10,000.00	0.00	10,000.00	0.00%
210-41335.835 BLOCK PARTY EXPENSE	7,000.00	7,564.98	-564.98	108.07%
Total ECONOMIC DEVELOPMENT	92,021.00	35,459.37	56,561.63	38.53%
Total GENERAL EXPENSES	695,152.00	224,917.28	470,234.72	32.36%

Account	Budget	Actual	Budget Balance	Actual % of Budget
210-41940 LINCOLN HALL				
210-41940.410 WATER AND SEWER CHARGE	1,000.00	113.21	886.79	11.32%
210-41940.423 CONTRACT SERVICES	9,565.00	3,700.00	5,865.00	38.68%
210-41940.434 MAINT. BUILDINGS/GROUNDS	9,000.00	2,360.07	6,639.93	26.22%
210-41940.521 LIABILITY & PROPERTY INS.	7,125.00	3,028.75	4,096.25	42.51%
210-41940.535 TELEPHONE SERVICES	460.00	117.90	342.10	25.63%
210-41940.550 PRINTING	300.00	0.00	300.00	0.00%
210-41940.565 RUBBISH REMOVAL	2,000.00	467.16	1,532.84	23.36%
210-41940.610 SUPPLIES	2,500.00	2,062.16	437.84	82.49%
210-41940.622 ELECTRICAL SERVICE	7,500.00	1,691.92	5,808.08	22.56%
210-41940.623 HEATING/NATURAL GAS	6,400.00	117.70	6,282.30	1.84%
210-41940.891 CAPITAL OUTLAY	3,300.00	3,058.80	241.20	92.69%
Total LINCOLN HALL	49,150.00	16,717.67	32,432.33	34.01%
210-41970 COMMUNITY DEVELOPMENT				
210-41970.1 COM DEV SALARIES				
210-41970.110 SALARIES REGULAR	138,199.00	42,680.87	95,518.13	30.88%
Total COM DEV SALARIES	138,199.00	42,680.87	95,518.13	30.88%
210-41970.2 COM DEV BENEFITS				
210-41970.210 HEALTH INS & OTHER BENEFIT	35,375.00	11,145.49	24,229.51	31.51%
210-41970.220 SOCIAL SECURITY	10,894.00	3,373.02	7,520.98	30.96%
210-41970.226 WORKERS COMP INSURANCE	418.00	128.87	289.13	30.83%
210-41970.230 RETIREMENT	13,820.00	4,202.48	9,617.52	30.41%
210-41970.250 UNEMPLOYMENT INSURANCE	252.00	0.00	252.00	0.00%
Total COM DEV BENEFITS	60,759.00	18,849.86	41,909.14	31.02%
210-41970.310 BOARD MEMBER FEES	3,600.00	800.00	2,800.00	22.22%
210-41970.320 LEGAL SERVICES	12,000.00	33.00	11,967.00	0.28%
210-41970.330 OTHER PROFESSIONAL SVCS	6,000.00	0.00	6,000.00	0.00%
210-41970.340 COMPUTER EXPENSES	4,000.00	689.04	3,310.96	17.23%
210-41970.500 TRAINING, CONF, DUES	3,500.00	590.00	2,910.00	16.86%
210-41970.521 LIABILITY & PROPERTY INS.	3,124.00	1,700.29	1,423.71	54.43%
210-41970.522 PUBLIC OFFICIALS LIABILITY	6,386.00	3,158.25	3,227.75	49.46%
210-41970.530 COMMUNICATIONS	2,500.00	266.75	2,233.25	10.67%
210-41970.535 TELEPHONE SERVICES	1,644.00	249.47	1,394.53	15.17%
210-41970.536 POSTAGE	600.00	120.00	480.00	20.00%
210-41970.550 PRINTING AND ADVERTISING	3,000.00	456.70	2,543.30	15.22%
210-41970.580 TRAVEL	2,400.00	816.96	1,583.04	34.04%
210-41970.610 SUPPLIES	2,000.00	622.04	1,377.96	31.10%
210-41970.891 CAPITAL OUTLAY	1,500.00	0.00	1,500.00	0.00%
Total COMMUNITY DEVELOPMENT	251,212.00	71,033.23	180,178.77	28.28%
Total GENERAL GOVERNMENT	995,514.00	312,668.18	682,845.82	31.41%

Account	Budget	Actual	Budget Balance	Actual % of Budget
210-42220 FIRE DEPARTMENT				
210-42220.1 FIRE SALARIES				
210-42220.140 SALARIES - FIREFIGHTERS	150,000.00	51,372.43	98,627.57	34.25%
Total FIRE SALARIES	150,000.00	51,372.43	98,627.57	34.25%
210-42220.2 FIRE BENEFITS				
210-42220.200 EMPLOYEE ASSISTANCE PROGR	864.00	432.00	432.00	50.00%
210-42220.210 ACCIDENT & DISABILITY INS	3,600.00	3,320.00	280.00	92.22%
210-42220.220 SOCIAL SECURITY	11,511.00	3,821.06	7,689.94	33.19%
210-42220.226 WORKERS COMP INSURANCE	27,000.00	9,026.67	17,973.33	33.43%
Total FIRE BENEFITS	42,975.00	16,599.73	26,375.27	38.63%
210-42220.410 WATER AND SEWER CHARGE	600.00	84.19	515.81	14.03%
210-42220.432 VEHICLE MAINTENANCE	14,000.00	13,835.19	164.81	98.82%
210-42220.434 MAINT. BUILDINGS/GROUNDS	6,000.00	2,966.29	3,033.71	49.44%
210-42220.443 RADIO MAINTENANCE	2,000.00	0.00	2,000.00	0.00%
210-42220.500 TRAINING, CONFERENCES, DU	5,000.00	1,417.70	3,582.30	28.35%
210-42220.521 LIABILITY & PROPERTY INS.	8,767.00	4,130.85	4,636.15	47.12%
210-42220.535 TELEPHONE SERVICES	3,400.00	943.69	2,456.31	27.76%
210-42220.566 PHYSICAL EXAMS	6,000.00	0.00	6,000.00	0.00%
210-42220.570 MAINTENANCE OTHER	14,500.00	7,152.88	7,347.12	49.33%
210-42220.578 EMERGENCY GENERATOR MAINT	500.00	739.14	-239.14	147.83%
210-42220.610 SUPPLIES	2,400.00	831.17	1,568.83	34.63%
210-42220.611 NEW EQUIPMENT-RADIOS	2,000.00	0.00	2,000.00	0.00%
210-42220.612 UNIFORMS,BOOTS,ETC	21,000.00	1,629.93	19,370.07	7.76%
210-42220.615 EMS SUPPLIES	1,000.00	0.00	1,000.00	0.00%
210-42220.622 ELECTRICAL SERVICE	7,000.00	1,691.92	5,308.08	24.17%
210-42220.623 HEATING/NATURAL GAS	5,200.00	104.37	5,095.63	2.01%
210-42220.626 GAS,GREASE AND OIL	6,500.00	859.18	5,640.82	13.22%
210-42220.838 FIRE PREVENTION	2,000.00	0.00	2,000.00	0.00%
210-42220.889 ROUTINE EQUIPMENT PURCHAS	14,500.00	9,627.75	4,872.25	66.40%
Total FIRE DEPARTMENT	315,342.00	113,986.41	201,355.59	36.15%
210-431 STREET DEPARTMENT				
210-43110 STREET GENERAL				
210-43110.1 STREET GENERAL SALARIES				
210-43110.110 SALARIES REGULAR	156,245.00	46,685.30	109,559.70	29.88%
210-43110.130 SALARIES OVERTIME	16,300.00	3,050.89	13,249.11	18.72%
210-43110.140 SALARIES PART TIME	17,000.00	8,057.56	8,942.44	47.40%
Total STREET GENERAL SALARIES	189,545.00	57,793.75	131,751.25	30.49%
210-43110.2 STREET GENERAL BENEFITS				
210-43110.210 HEALTH INS & OTHER BENEFIT	65,445.00	19,512.06	45,932.94	29.81%
210-43110.220 SOCIAL SECURITY	14,956.00	4,506.17	10,449.83	30.13%
210-43110.226 WORKERS COMP INSURANCE	12,654.00	3,561.06	9,092.94	28.14%
210-43110.230 RETIREMENT	15,625.00	4,842.83	10,782.17	30.99%

Account	Budget	Actual	Budget Balance	Actual % of Budget
210-43110.250 UNEMPLOYMENT INSURANCE	631.00	24.57	606.43	3.89%
Total STREET GENERAL BENEFITS	109,311.00	32,446.69	76,864.31	29.68%
210-43110.410 WATER AND SEWER CHARGE	1,517.00	433.07	1,083.93	28.55%
210-43110.432 VEHICLE MAINTENANCE	22,000.00	919.05	21,080.95	4.18%
210-43110.434 MAINT. BUILDINGS/GROUNDS	2,500.00	142.53	2,357.47	5.70%
210-43110.441 RIGHT OF WAY AGREEMENTS	11,343.00	4,420.88	6,922.12	38.97%
210-43110.442 EQUIPMENT RENTALS	8,000.00	1,020.09	6,979.91	12.75%
210-43110.443 RADIO MAINTENANCE	200.00	0.00	200.00	0.00%
210-43110.500 TRAINING, CONFERENCES, DU	500.00	42.23	457.77	8.45%
210-43110.521 LIABILITY & PROPERTY INS.	16,878.00	7,685.27	9,192.73	45.53%
210-43110.535 TELEPHONE SERVICES	3,000.00	1,003.41	1,996.59	33.45%
210-43110.565 RUBBISH REMOVAL	6,500.00	1,784.68	4,715.32	27.46%
210-43110.570 MAINTENANCE OTHER	1,200.00	806.69	393.31	67.22%
210-43110.572 INTERVIEW COSTS	500.00	0.00	500.00	0.00%
210-43110.573 ACCIDENT CLAIMS	500.00	0.00	500.00	0.00%
210-43110.576 ENGINEERING SERVICES	10,000.00	2,230.91	7,769.09	22.31%
210-43110.582 TRAFFIC CALMING	500.00	0.00	500.00	0.00%
210-43110.610 SUPPLIES	17,500.00	8,136.73	9,363.27	46.50%
210-43110.612 UNIFORMS,BOOTS,ETC	6,000.00	1,431.72	4,568.28	23.86%
210-43110.616 GRAVEL, TOPSOIL	5,000.00	0.00	5,000.00	0.00%
210-43110.617 SIGNS AND POSTS	3,500.00	547.35	2,952.65	15.64%
210-43110.622 ELECTRICAL SERVICE	4,200.00	767.37	3,432.63	18.27%
210-43110.623 HEATING/NATURAL GAS	4,000.00	137.68	3,862.32	3.44%
210-43110.626 GAS, GREASE AND OIL	30,000.00	3,377.25	26,622.75	11.26%
210-43110.891 CAPITAL OUTLAY	9,000.00	0.00	9,000.00	0.00%
Total STREET GENERAL	463,194.00	125,127.35	338,066.65	27.01%
210-43120 STREET-PAVEMENT MAINT				
210-43120.444 STREET MARKINGS	7,000.00	4,653.62	2,346.38	66.48%
210-43120.570 SIDEWALK AND CURB MAINTEN	5,000.00	759.00	4,241.00	15.18%
210-43120.610 PAVEMENT MAINTENANCE	218,000.00	141,867.85	76,132.15	65.08%
Total STREET-PAVEMENT MAINT	230,000.00	147,280.47	82,719.53	64.03%
210-43123 STREETS - TRAFFIC LIGHTS				
210-43123.570 TRAFFIC LIGHTS MAINTENANC	2,000.00	233.42	1,766.58	11.67%
210-43123.622 TRAFFIC LIGHTS - ELECTRIC	6,000.00	1,205.55	4,794.45	20.09%
Total STREETS - TRAFFIC LIGHTS	8,000.00	1,438.97	6,561.03	17.99%
210-43125 WINTER MAINTENANCE				
210-43125.570 CONTRACT SERVICES	17,000.00	2,500.00	14,500.00	14.71%
210-43125.610 WINTER MAINTENANCE	110,000.00	219.84	109,780.16	0.20%
Total WINTER MAINTENANCE	127,000.00	2,719.84	124,280.16	2.14%
210-43151 STREET - STORMWATER				

Account	Budget	Actual	Budget Balance	Actual % of Budget
210-43151.1 STREET-STORMWATER SALARIE				
210-43151.110 SALARIES - REGULAR	40,766.00	12,256.98	28,509.02	30.07%
Total STREET-STORMWATER SALARIE	40,766.00	12,256.98	28,509.02	30.07%
210-43151.2 STREET-STORMWATER BENEFIT				
210-43151.210 HEALTH INS & OTHER BENEFIT	9,374.00	2,953.53	6,420.47	31.51%
210-43151.220 SOCIAL SECURITY	3,119.00	937.74	2,181.26	30.07%
210-43151.226 WORKERS COMP INSURANCE	1,940.00	608.84	1,331.16	31.38%
210-43151.230 RETIREMENT	4,077.00	1,320.70	2,756.30	32.39%
210-43151.250 UNEMPLOYMENT INSURANCE	76.00	0.00	76.00	0.00%
Total STREET-STORMWATER BENEFIT	18,586.00	5,820.81	12,765.19	31.32%
210-43151.430 STORM SEWER MAINTENANCE	15,000.00	1,611.26	13,388.74	10.74%
Total STREET - STORMWATER	74,352.00	19,689.05	54,662.95	26.48%
210-43160 STREET STREET LIGHTS				
210-43160.610 STREET LIGHTS SUPPLIES/MA	3,500.00	5,382.10	-1,882.10	153.77%
210-43160.622 STREET LIGHTS - ELECTRICI	131,948.00	26,915.11	105,032.89	20.40%
Total STREET STREET LIGHTS	135,448.00	32,297.21	103,150.79	23.84%
210-43161 STREETS - CONSERVATION				
210-43161.000 STREETSCAPE MAINT./IMP	16,000.00	2,255.00	13,745.00	14.09%
210-43161.001 VILLAGE GARDEN SPOTS	3,000.00	67.98	2,932.02	2.27%
210-43161.002 MEMORIAL PARK	3,000.00	155.47	2,844.53	5.18%
Total STREETS - CONSERVATION	22,000.00	2,478.45	19,521.55	11.27%
Total STREET DEPARTMENT	1,059,994.00	331,031.34	728,962.66	31.23%
210-453 SENIOR SUPPORT				
210-45300.535 TELEPHONE SERVICES	0.00	38.35	-38.35	100.00%
Total SENIOR SUPPORT	0.00	38.35	-38.35	100.00%
210-45551 BROWNELL LIBRARY				
210-45551.1 LIBRARY SALARIES				
210-45551.110 SALARIES REGULAR	314,229.00	94,617.39	219,611.61	30.11%
210-45551.140 SALARIES PART TIME	106,800.00	29,768.33	77,031.67	27.87%
Total LIBRARY SALARIES	421,029.00	124,385.72	296,643.28	29.54%
210-45551.2 LIBRARY BENEFITS				
210-45551.210 HEALTH INS & OTHER BENEFIT	106,126.00	34,187.65	71,938.35	32.21%
210-45551.220 SOCIAL SECURITY	32,695.00	9,532.10	23,162.90	29.15%
210-45551.226 WORKERS COMP INSURANCE	1,274.00	372.29	901.71	29.22%
210-45551.230 RETIREMENT	31,423.00	9,323.54	22,099.46	29.67%

Account	Budget	Actual	Budget Balance	Actual % of Budget
210-45551.250 UNEMPLOYMENT INSURANCE	1,324.00	81.28	1,242.72	6.14%
Total LIBRARY BENEFITS	172,842.00	53,496.86	119,345.14	30.95%
210-45551.340 COMPUTER EXPENSES	3,500.00	482.61	3,017.39	13.79%
210-45551.410 WATER AND SEWER CHARGE	900.00	105.25	794.75	11.69%
210-45551.423 CONTRACT SERVICES	28,425.00	10,370.50	18,054.50	36.48%
210-45551.434 MAINT. BUILDINGS/GROUNDS	19,000.00	3,936.09	15,063.91	20.72%
210-45551.436 ALARM SYSTEM MAINTENANCE	525.00	269.51	255.49	51.34%
210-45551.500 TRAINING, CONFERENCES, DU	3,000.00	528.22	2,471.78	17.61%
210-45551.521 LIABILITY & PROPERTY INS.	12,375.00	6,394.74	5,980.26	51.67%
210-45551.530 TECHNOLOGY ACCESS	5,500.00	3,338.52	2,161.48	60.70%
210-45551.535 TELEPHONE SERVICES	1,200.00	370.98	829.02	30.92%
210-45551.536 POSTAGE/DELIVERY	3,500.00	469.84	3,030.16	13.42%
210-45551.572 INTERVIEW COSTS	500.00	0.00	500.00	0.00%
210-45551.574 VOLUNTEER EXPENSES	600.00	0.00	600.00	0.00%
210-45551.610 SUPPLIES	13,000.00	5,000.16	7,999.84	38.46%
210-45551.622 ELECTRICAL SERVICE	15,250.00	3,654.72	11,595.28	23.97%
210-45551.623 HEATING/NATURAL GAS	7,400.00	121.05	7,278.95	1.64%
210-45551.640 ADULT COLLECTION-PRINT &	34,500.00	7,659.78	26,840.22	22.20%
210-45551.641 JUVEN COLLECTION-PRNT & E	17,250.00	4,946.46	12,303.54	28.68%
210-45551.677 COMPUTER REPLACEMENT	8,000.00	0.00	8,000.00	0.00%
210-45551.836 ADULT PROGRAMS	500.00	24.00	476.00	4.80%
210-45551.837 CHILDRENS PROGRAMS	3,200.00	1,009.12	2,190.88	31.54%
210-45551.891 CAPITAL OUTLAY	4,400.00	4,007.00	393.00	91.07%
Total BROWNELL LIBRARY	776,396.00	230,571.13	545,824.87	29.70%
210-47 DEBT SERVICE				
210-47116.000 CAPITAL IMP PRINCIPAL	141,900.00	141,900.00	0.00	100.00%
210-47216.000 CAPITAL IMP - INTEREST	80,344.00	40,496.05	39,847.95	50.40%
Total DEBT SERVICE	222,244.00	182,396.05	39,847.95	82.07%
210-491 CAPITAL/MISC TRANSFERS				
210-49100.030 CAP RESRV FND CONT - BEG	274,961.00	68,740.25	206,220.75	25.00%
210-49100.031 ROLLING STOCK FUND CONTRI	203,624.00	50,906.00	152,718.00	25.00%
210-49100.040 TRANS FOR BUILDING MAINT	50,000.00	12,500.00	37,500.00	25.00%
210-49100.802 EMP TERM BENEFITS TRANSFE	5,000.00	1,250.00	3,750.00	25.00%
210-49101.031 HALF PENNY FOR LDR TRUCK	50,000.00	12,500.00	37,500.00	25.00%
Total CAPITAL/MISC TRANSFERS	583,585.00	145,896.25	437,688.75	25.00%
210-493 GRANT AND OTHER UNBUDGETE				
210-4930 TERMINATION BENEFITS FROM				
Total TERMINATION BENEFITS FROM	0.00	0.00	0.00	0.00%
210-4934 GRANT EXPENDITURES				
210-49340.000 MISC GRANT EXPENDITURES	0.00	2,217.87	-2,217.87	100.00%

Account	Budget	Actual	Budget Balance	Actual % of Budget
210-49340.006 LIBRARY GRANT EXPENDITURE	0.00	135.00	-135.00	100.00%
210-49345 DONATION EXPENDITURES				
210-49345.000 LIBRARY DONATION EXPENDIT	0.00	2,129.44	-2,129.44	100.00%
Total DONATION EXPENDITURES	0.00	2,129.44	-2,129.44	100.00%
210-49346 LIBRARY REPLACEMENT EXPEN				
210-49346.001 ADULT COLLECTION-PRINT &	0.00	52.69	-52.69	100.00%
Total LIBRARY REPLACEMENT EXPEN	0.00	52.69	-52.69	100.00%
Total GRANT EXPENDITURES	0.00	4,535.00	-4,535.00	100.00%
Total GRANT AND OTHER UNBUDGETE	0.00	4,535.00	-4,535.00	100.00%
Total Expenditures	3,953,075.00	1,321,122.71	2,631,952.29	33.42%
Total GENERAL FUND	-35,000.00	401,515.46	-436,515.46	
Total Revenues	0.00	0.00	0.00	0.00%
Total Expenditures	0.00	0.00	0.00	0.00%
Total MEMORIAL PARK FUND	0.00	0.00	0.00	
222-39110.000 GENERAL FUND TRANS IN	0.00	12,500.00	-12,500.00	100.00%
Total Revenues	0.00	12,500.00	-12,500.00	100.00%
222-46802.001 LINCOLN HALL MAINT	0.00	4,350.61	-4,350.61	100.00%
Total Expenditures	0.00	4,350.61	-4,350.61	100.00%
Total BUILDING MAINT FUND	0.00	8,149.39	-8,149.39	
223-31101.000 PENNY TAX	0.00	54,284.53	-54,284.53	100.00%
Total Revenues	0.00	54,284.53	-54,284.53	100.00%
Total TRUSTEE CAP IMP PROJECTS	0.00	54,284.53	-54,284.53	
225-34700.000 SR CTR MEMBERSHIPS	0.00	390.00	-390.00	100.00%
225-34701.000 SR CTR FUND RAISING REV	0.00	1,720.00	-1,720.00	100.00%
225-34702.000 SR CTR ACTIVITY FEES	0.00	4,806.50	-4,806.50	100.00%
225-34703.000 SR CTR AFTER HR FEES	0.00	625.00	-625.00	100.00%
225-36400.000 SR CTR DONATIONS	0.00	779.47	-779.47	100.00%

Account	Budget	Actual	Budget Balance	Actual % of Budget
225-36603.000 MISCELLANEOUS REV	0.00	96.00	-96.00	100.00%
Total Revenues	0.00	8,416.97	-8,416.97	100.00%
225-45122.330 OTHER PROF SERVICES	0.00	380.00	-380.00	100.00%
225-45122.430 REPAIRS & MAINTENANCE	0.00	819.43	-819.43	100.00%
225-45122.610 OPERATIONAL SUPP/EXP	0.00	1,224.85	-1,224.85	100.00%
225-45122.612 FUND RAISER EXPENSES	0.00	73.21	-73.21	100.00%
225-45122.614 PROGRAM EXPENSES	0.00	455.10	-455.10	100.00%
225-45122.810 TRIP EXPENSES	0.00	5,216.99	-5,216.99	100.00%
225-45122.812 MEAL SITE EXPENSES	0.00	449.97	-449.97	100.00%
Total Expenditures	0.00	8,619.55	-8,619.55	100.00%
Total SENIOR CENTER FUND	0.00	-202.58	202.58	
230-331 GRANT REVENUE				
230-33121.000 MU SAFETY PATH SDWK(17)	0.00	55,510.10	-55,510.10	100.00%
230-33122.000 MU SAFETY PATH TAP TA13(6	0.00	105,375.20	-105,375.20	100.00%
230-33123.000 PEARL MISS LNK EJ STP 530	0.00	11,888.88	-11,888.88	100.00%
230-33124.000 MAIN SDWK STUDY CA0417	0.00	6,797.54	-6,797.54	100.00%
230-33125.000 So. Summit VTrans PO1708	0.00	74,833.01	-74,833.01	100.00%
Total GRANT REVENUE	0.00	254,404.73	-254,404.73	100.00%
230-341 CONTRIBUTIONS				
Total CONTRIBUTIONS	0.00	0.00	0.00	0.00%
230-361 INTEREST EARNINGS				
Total INTEREST EARNINGS	0.00	0.00	0.00	0.00%
230-391 GENERAL FUND TRANSFER IN				
230-39110.000 CONTRIB FROM GENERAL FUND	0.00	68,740.25	-68,740.25	100.00%
Total GENERAL FUND TRANSFER IN	0.00	68,740.25	-68,740.25	100.00%
Total Revenues	0.00	323,144.98	-323,144.98	100.00%
230-46801.006 MULTI-USE PATH NORTH	0.00	295,148.41	-295,148.41	100.00%
230-46801.007 PEARL ST. LINKING SIDEWAL	0.00	4,685.23	-4,685.23	100.00%
230-46801.008 CRESCENT CONNECTOR	0.00	56,984.05	-56,984.05	100.00%
230-46801.013 BROWNELL CARPET	0.00	12,018.51	-12,018.51	100.00%
230-46801.014 So. Summit Paving	0.00	74,833.01	-74,833.01	100.00%
230-46801.700 CAPITAL RES. PAVING	0.00	9,026.65	-9,026.65	100.00%
Total Expenditures	0.00	452,695.86	-452,695.86	100.00%

Account	Budget	Actual	Budget Balance	Actual % of Budget
Total GEN FUND CAP RESERVE	0.00	-129,550.88	129,550.88	
231-39110.000 CONTRIB FROM GENERAL FUND	0.00	63,406.00	-63,406.00	100.00%
Total Revenues	0.00	63,406.00	-63,406.00	100.00%
231-43131.161 4WD PICKUP - TRK #3	0.00	12,583.30	-12,583.30	100.00%
231-47117.000 FIRE TRUCK LOAN PRINCIPAL	0.00	50,000.00	-50,000.00	100.00%
231-47217.000 INTEREST EXPENSE	0.00	1,562.74	-1,562.74	100.00%
Total Expenditures	0.00	64,146.04	-64,146.04	100.00%
Total ROLLING STOCK FUND	0.00	-740.04	740.04	
Total Revenues	0.00	0.00	0.00	0.00%
Total LAND ACQUISITION FUND	0.00	0.00	0.00	
Total Revenues	0.00	0.00	0.00	0.00%
253-468 CAPITAL PROJECTS				
253-46801.005 BRIAR LANE RD/SDWK/WTR LI	0.00	393,869.23	-393,869.23	100.00%
Total CAPITAL PROJECTS	0.00	393,869.23	-393,869.23	100.00%
Total Expenditures	0.00	393,869.23	-393,869.23	100.00%
Total BOND FUND	0.00	-393,869.23	393,869.23	
254-3 REVENUE				
254-34 OPERATING REVENUE				
254-348 USER CHARGES				
254-34801.000 SALE OF WATER-RESIDENTIAL	846,258.00	109,901.45	736,356.55	12.99%
254-34811.000 WATER BILLING PENALTIES	4,000.00	409.30	3,590.70	10.23%
254-34812.000 WATER SALES - LARGE USERS	107,492.00	29,445.54	78,046.46	27.39%
254-34813.000 WATER RECONNECT FEES	0.00	462.50	-462.50	100.00%
254-34821.000 HOOK ON FEES	15,000.00	3,450.00	11,550.00	23.00%
Total USER CHARGES	972,750.00	143,668.79	829,081.21	14.77%
254-349 GF PASS THROUGH REVENUES				
254-34900.000 SALE OF WATER-GF	2,767,603.00	705,999.88	2,061,603.12	25.51%
254-34902.000 SALE OF WATER - GF VT TA	68,255.00	17,320.90	50,934.10	25.38%
Total GF PASS THROUGH REVENUES	2,835,858.00	723,320.78	2,112,537.22	25.51%

Account	Budget	Actual	Budget Balance	Actual % of Budget
Total OPERATING REVENUE	3,808,608.00	866,989.57	2,941,618.43	22.76%
254-390 NON OPERATING REVENUE				
Total NON OPERATING REVENUE	0.00	0.00	0.00	0.00%
Total REVENUE	3,808,608.00	866,989.57	2,941,618.43	22.76%
Total Revenues	3,808,608.00	866,989.57	2,941,618.43	22.76%
254-43 EXPENSES				
254-432 OPERATING EXPENSES				
254-4320 GENERAL EXPENSES				
254-43200.1 WATER FUND SALARIES				
254-43200.110 SALARIES REGULAR	105,379.00	22,250.28	83,128.72	21.11%
254-43200.130 SALARIES OVERTIME	14,000.00	2,632.88	11,367.12	18.81%
254-43200.140 SALARIES PART TIME	5,166.00	818.86	4,347.14	15.85%
Total WATER FUND SALARIES	124,545.00	25,702.02	98,842.98	20.64%
254-43200.2 WATER FUND BENEFITS				
254-43200.210 HEALTH INS & OTHER BENEFIT	40,682.00	10,485.28	30,196.72	25.77%
254-43200.220 SOCIAL SECURITY	9,658.00	1,977.40	7,680.60	20.47%
254-43200.226 WORKERS COMP INSURANCE	5,528.00	1,336.34	4,191.66	24.17%
254-43200.230 RETIREMENT	10,538.00	2,205.73	8,332.27	20.93%
254-43200.250 UNEMPLOYMENT INSURANCE	353.00	4.58	348.42	1.30%
Total WATER FUND BENEFITS	66,759.00	16,009.33	50,749.67	23.98%
254-43200.330 OTHER PROFESSIONAL SERVIC	1,000.00	0.00	1,000.00	0.00%
254-43200.335 AUDIT	4,217.00	293.16	3,923.84	6.95%
254-43200.340 COMPUTER EXPENSES	2,100.00	1,105.21	994.79	52.63%
254-43200.410 WATER AND SEWER CHARGE	400.00	22.66	377.34	5.67%
254-43200.411 CWD WATER PURCHASE	460,300.00	139,253.98	321,046.02	30.25%
254-43200.412 STATE WATER TAX	11,352.00	3,416.44	7,935.56	30.10%
254-43200.430 WATER LINES MAINT-BREAKS	16,000.00	7,753.10	8,246.90	48.46%
254-43200.441 RIGHT OF WAY AGREEMENTS	142.00	0.00	142.00	0.00%
254-43200.491 CONTRACTUAL SERVICES	113,888.00	28,472.00	85,416.00	25.00%
254-43200.500 TRAINING, CONFERENCES, DU	2,000.00	0.00	2,000.00	0.00%
254-43200.521 LIABILITY & PROPERTY INS.	3,347.00	1,758.30	1,588.70	52.53%
254-43200.535 TELEPHONE SERVICES	1,000.00	88.06	911.94	8.81%
254-43200.536 POSTAGE	2,000.00	382.48	1,617.52	19.12%
254-43200.550 PRINTING AND ADVERTISING	2,000.00	0.00	2,000.00	0.00%
254-43200.570 MAINTENANCE OTHER	1,000.00	274.27	725.73	27.43%
254-43200.572 INTERVIEW COSTS	0.00	481.00	-481.00	100.00%
254-43200.610 SUPPLIES	5,500.00	1,803.54	3,696.46	32.79%
254-43200.612 UNIFORMS,BOOTS,ETC	1,500.00	447.00	1,053.00	29.80%
254-43200.613 METERS AND PARTS	0.00	302.80	-302.80	100.00%

Account	Budget	Actual	Budget Balance	Actual % of Budget
254-43200.614 DISTRIBUTION MATERIALS	6,500.00	19,033.34	-12,533.34	292.82%
254-43200.622 ELECTRICAL SERVICE	700.00	136.49	563.51	19.50%
254-43200.623 HEATING/NATURAL GAS	3,000.00	72.12	2,927.88	2.40%
254-43200.626 GAS,GREASE AND OIL	3,500.00	319.06	3,180.94	9.12%
254-43200.742 TRANS TO CAPITAL RESERVE	140,000.00	0.00	140,000.00	0.00%
254-43200.891 CAPITAL OUTLAY	0.00	3,446.63	-3,446.63	100.00%
Total GENERAL EXPENSES	972,750.00	250,572.99	722,177.01	25.76%
254-4321 GF WATER EXPENSES				
254-43210.411 CWD WATER PURC - GF	2,767,603.00	705,999.88	2,061,603.12	25.51%
254-43210.412 STATE WATER TAX - GF	68,255.00	17,320.90	50,934.10	25.38%
Total GF WATER EXPENSES	2,835,858.00	723,320.78	2,112,537.22	25.51%
Total OPERATING EXPENSES	3,808,608.00	973,893.77	2,834,714.23	25.57%
254-433 CAPITAL PROJECT EXPENSES				
254-43330.002 METER REPLACEMENT PROGRAM	0.00	4,290.26	-4,290.26	100.00%
254-43330.005 SERIES 3 BOND INTEREST	0.00	6,592.38	-6,592.38	100.00%
254-43332 BONDED PROJECTS				
254-43332.005 BRIAR LANE RD/SDWK/WTR LN	0.00	62,790.75	-62,790.75	100.00%
254-43332.006 BRTAR/ROSEWOOD WTR LN	0.00	99,357.81	-99,357.81	100.00%
Total BONDED PROJECTS	0.00	162,148.56	-162,148.56	100.00%
Total CAPITAL PROJECT EXPENSES	0.00	173,031.20	-173,031.20	100.00%
Total EXPENSES	3,808,608.00	1,146,924.97	2,661,683.03	30.11%
Total Expenditures	3,808,608.00	1,146,924.97	2,661,683.03	30.11%
Total WATER FUND	0.00	-279,935.40	279,935.40	
255-3 REVENUE				
255-34 OPERATING REVENUE				
255-348 VILLAGE USER CHARGES				
255-34801.000 VILLAGE USER CHARGE	681,161.00	110,891.24	570,269.76	16.28%
255-34811.000 VILLAGE USER PENALTIES	3,000.00	439.07	2,560.93	14.64%
255-34812.000 VILL. SEPTAGE DISCHARGE I	15,000.00	9,198.00	5,802.00	61.32%
255-34813.000 VILLAGE LEACHATE REVENUES	0.00	870.08	-870.08	100.00%
Total VILLAGE USER CHARGES	699,161.00	121,398.39	577,762.61	17.36%
255-349 TRI-TOWN REVENUES				
255-34900.000 WASTEWATER CHARGE - ESSEX	436,976.00	145,658.68	291,317.32	33.33%
255-34901.000 WASTEWATER CHARGE - WILLI	611,766.00	203,922.00	407,844.00	33.33%
255-34903.001 SHARED SEPTAGE REVENUES	5,000.00	0.00	5,000.00	0.00%
255-34903.005 PUMP STATION MAINT. FEES	30,300.00	7,575.00	22,725.00	25.00%
Total TRI-TOWN REVENUES	1,084,042.00	357,155.68	726,886.32	32.95%

Account	Budget	Actual	Budget Balance	Actual % of Budget
Total OPERATING REVENUE	1,783,203.00	478,554.07	1,304,648.93	26.84%
255-39 NON OPERATING INCOME				
255-39700.002 ESSEX - DEBT PAYMENT	0.00	263,483.53	-263,483.53	100.00%
255-39700.003 WILLISTON - DEBT PAYMENT	0.00	249,111.70	-249,111.70	100.00%
255-39700.004 ESSEX JCT - DEBT PAYMENT	0.00	307,422.05	-307,422.05	100.00%
Total NON OPERATING INCOME	0.00	820,017.28	-820,017.28	100.00%
Total REVENUE	1,783,203.00	1,298,571.35	484,631.65	72.82%
Total Revenues	1,783,203.00	1,298,571.35	484,631.65	72.82%
255-43 EXPENSES				
255-4320 GENERAL EXPENSES				
255-43200.1 WWTF SALARIES				
255-43200.110 SALARIES REGULAR	333,046.00	90,973.44	242,072.56	27.32%
255-43200.130 SALARIES OVERTIME	48,000.00	11,550.29	36,449.71	24.06%
255-43200.140 SALARIES PART TIME	8,139.00	9,920.90	-1,781.90	121.89%
Total WWTF SALARIES	389,185.00	112,444.63	276,740.37	28.89%
255-43200.2 WWTF BENEFITS				
255-43200.210 HEALTH INS & OTHER BENEFI	109,133.00	29,161.03	79,971.97	26.72%
255-43200.220 SOCIAL SECURITY	30,142.00	8,373.32	21,768.68	27.78%
255-43200.226 WORKERS COMP INSURANCE	17,400.00	4,841.35	12,558.65	27.82%
255-43200.230 RETIREMENT	33,305.00	8,991.59	24,313.41	27.00%
255-43200.250 UNEMPLOYMENT INSURANCE	837.00	29.69	807.31	3.55%
Total WWTF BENEFITS	190,817.00	51,396.98	139,420.02	26.94%
255-43200.320 LEGAL SERVICES	1,000.00	0.00	1,000.00	0.00%
255-43200.330 OTHER PROFESSIONAL SERVIC	6,000.00	626.00	5,374.00	10.43%
255-43200.335 AUDIT	4,950.00	344.15	4,605.85	6.95%
255-43200.410 WATER AND SEWER CHARGE	4,000.00	434.99	3,565.01	10.87%
255-43200.432 VEHICLE MAINTENANCE	3,500.00	660.03	2,839.97	18.86%
255-43200.491 CONTRACTUAL SERVICES	56,944.00	14,236.00	42,708.00	25.00%
255-43200.500 TRAINING, CONFERENCES, DU	6,500.00	1,207.86	5,292.14	18.58%
255-43200.521 LIABILITY & PROPERTY INS.	23,808.00	11,168.97	12,639.03	46.91%
255-43200.535 TELEPHONE SERVICES	6,000.00	1,351.49	4,648.51	22.52%
255-43200.565 GRIT DISPOSAL	9,000.00	3,007.21	5,992.79	33.41%
255-43200.567 SLUDGE PROCESSING	130,000.00	0.00	130,000.00	0.00%
255-43200.568 SLUDGE MANAGEMENT	150,000.00	22,891.27	127,108.73	15.26%
255-43200.569 WWTF ANNUAL PERMIT FEE	7,500.00	0.00	7,500.00	0.00%
255-43200.570 MAINTENANCE OTHER	85,000.00	17,994.77	67,005.23	21.17%
255-43200.577 CONTRACT LABORATORY SERVI	9,000.00	4,600.50	4,399.50	51.12%
255-43200.610 SUPPLIES	10,000.00	1,524.12	8,475.88	15.24%
255-43200.612 UNIFORMS,BOOTS,ETC	6,000.00	959.20	5,040.80	15.99%

Account	Budget	Actual	Budget Balance	Actual % of Budget
255-43200.618 SUPPLIES - LABORATORY	13,000.00	4,100.69	8,899.31	31.54%
255-43200.619 CHEMICALS	195,000.00	91,243.87	103,756.13	46.79%
255-43200.622 ELECTRICAL SERVICE	150,000.00	32,130.22	117,869.78	21.42%
255-43200.623 HEATING/NATURAL GAS	20,000.00	1,698.37	18,301.63	8.49%
255-43200.626 GAS, GREASE AND OIL	6,000.00	1,944.47	4,055.53	32.41%
255-43200.742 TRANS TO CAPITAL RESERVE	300,000.00	0.00	300,000.00	0.00%
Total GENERAL EXPENSES	1,783,204.00	375,965.79	1,407,238.21	21.08%
255-433 CAPITAL PROJECTS/EXPENSES				
255-43330.001 RZEDB Interest	0.00	24,112.14	-24,112.14	100.00%
255-43330.007 CWSRF RF1-148 ADMIN FEE	0.00	258,500.00	-258,500.00	100.00%
Total CAPITAL PROJECTS/EXPENSES	0.00	282,612.14	-282,612.14	100.00%
255-434 NON-OPERATING EXPENSES				
Total NON-OPERATING EXPENSES	0.00	0.00	0.00	0.00%
Total EXPENSES	1,783,204.00	658,577.93	1,124,626.07	36.93%
Total Expenditures	1,783,204.00	658,577.93	1,124,626.07	36.93%
Total WASTEWATER FUND	-1.00	639,993.42	-639,994.42	
256-3 REVENUE				
256-33 INTERGOVERNMENTAL REVENUE				
256-33900.000 ESSEX PUMP STATION FEES	23,128.00	0.00	23,128.00	0.00%
256-33900.001 PARY AGREEMNT REV	15,000.00	0.00	15,000.00	0.00%
Total INTERGOVERNMENTAL REVENUE	38,128.00	0.00	38,128.00	0.00%
256-34 OPERATING REVENUE				
256-348 USER CHARGES				
256-34801.000 ANNUAL CUSTOMER CHARGE	552,556.00	103,469.11	449,086.89	18.73%
256-34811.000 ANNUAL CUSTOMER CHARGE -	2,500.00	410.62	2,089.38	16.42%
256-34821.000 HOOK ON FEES	30,000.00	7,000.00	23,000.00	23.33%
Total USER CHARGES	585,056.00	110,879.73	474,176.27	18.95%
Total OPERATING REVENUE	585,056.00	110,879.73	474,176.27	18.95%
256-39 NON OPERATING REVENUE				
256-39200.001 WWTF CAPACITY SALE REVENU	0.00	100,000.00	-100,000.00	100.00%
Total NON OPERATING REVENUE	0.00	100,000.00	-100,000.00	100.00%
Total REVENUE	623,184.00	210,879.73	412,304.27	33.84%
Total Revenues	623,184.00	210,879.73	412,304.27	33.84%

Account	Budget	Actual	Budget Balance %	Actual % of Budget
256-43 EXPENSES				
256-432 OPERATING EXPENSES				
256-43200.1 SANITATION SALARIES				
256-43200.110 SALARIES REGULAR	82,591.00	26,850.84	55,740.16	32.51%
256-43200.130 SALARIES OVERTIME	12,000.00	3,224.93	8,775.07	26.87%
256-43200.140 SALARIES PART TIME	5,166.00	818.86	4,347.14	15.85%
Total SANITATION SALARIES	99,757.00	30,894.63	68,862.37	30.97%
256-43200.2 SANITATION BENEFITS				
256-43200.210 HEALTH INS & OTHER BENEFIT	40,682.00	13,891.04	26,790.96	34.15%
256-43200.220 SOCIAL SECURITY	7,690.00	2,412.37	5,277.63	31.37%
256-43200.226 WORKERS COMP INSURANCE	4,581.00	1,503.85	3,077.15	32.83%
256-43200.230 RETIREMENT	8,259.00	2,620.35	5,638.65	31.73%
256-43200.250 UNEMPLOYMENT INSURANCE	328.00	11.28	316.72	3.44%
Total SANITATION BENEFITS	61,540.00	20,438.89	41,101.11	33.21%
256-43200.330 OTHER PROFESSIONAL SERVICE	1,000.00	0.00	1,000.00	0.00%
256-43200.335 AUDIT	2,108.00	146.58	1,961.42	6.95%
256-43200.340 COMPUTER EXPENSES	1,000.00	2,210.41	-1,210.41	221.04%
256-43200.410 WATER AND SEWER CHARGE	500.00	70.16	429.84	14.03%
256-43200.430 SANITATION LINES MAINTENANCE	6,000.00	972.19	5,027.81	16.20%
256-43200.434 PUMP STATION MAINTENANCE	8,000.00	2,013.43	5,986.57	25.17%
256-43200.436 SANIT. LINE BACK-UP CLEAN	1,500.00	0.00	1,500.00	0.00%
256-43200.441 RIGHT OF WAY AGREEMENTS	1,058.00	1,514.55	-456.55	143.15%
256-43200.491 CONTRACTUAL SERVICES	144,188.00	36,047.00	108,141.00	25.00%
256-43200.500 TRAINING, CONFERENCES, DU	150.00	0.00	150.00	0.00%
256-43200.521 LIABILITY & PROPERTY INS.	8,183.00	3,747.24	4,435.76	45.79%
256-43200.536 POSTAGE	3,500.00	764.97	2,735.03	21.86%
256-43200.550 PRINTING AND ADVERTISING	500.00	0.00	500.00	0.00%
256-43200.570 MAINTENANCE OTHER	1,500.00	835.75	664.25	55.72%
256-43200.610 SUPPLIES	1,000.00	0.00	1,000.00	0.00%
256-43200.612 UNIFORMS,BOOTS,ETC	1,500.00	318.75	1,181.25	21.25%
256-43200.622 ELECTRICAL SERVICE	11,000.00	2,112.65	8,887.35	19.21%
256-43200.623 HEATING/NATURAL GAS	1,700.00	89.92	1,610.08	5.29%
256-43200.626 GAS,GREASE AND OIL	2,500.00	412.99	2,087.01	16.52%
256-43200.742 TRANS TO CAPITAL RESERVE	95,000.00	0.00	95,000.00	0.00%
256-43200.891 CAPITAL OUTLAY	0.00	5,133.33	-5,133.33	100.00%
256-43220 ESSEX PS COSTS				
256-43220.001 SUSIE WILSON PS COSTS	9,000.00	2,521.93	6,478.07	28.02%
256-43220.002 WEST ST PS COSTS	10,000.00	2,880.46	7,119.54	28.80%
Total ESSEX PS COSTS	19,000.00	5,402.39	13,597.61	28.43%
Total OPERATING EXPENSES	472,184.00	113,125.83	359,058.17	23.96%
256-433 CAPITAL PROJECTS/EXPENSE				

Account	Budget	Actual	Budget Balance	Actual % of Budget
256-43330.002 METER REPLACEMENT PROGRAM	0.00	8,580.49	-8,580.49	100.00%
Total CAPITAL PROJECTS/EXPENSE	0.00	8,580.49	-8,580.49	100.00%
256-434 NON OPERATING EXPENSES				
256-43455.001 TRANS TO WWTF FOR DEBT PY	0.00	307,422.05	-307,422.05	100.00%
Total NON OPERATING EXPENSES	0.00	307,422.05	-307,422.05	100.00%
Total EXPENSES	472,184.00	429,128.37	43,055.63	90.88%
Total Expenditures	472,184.00	429,128.37	43,055.63	90.88%
Total SANITATION FUND	151,000.00	-218,248.64	369,248.64	
Total All Funds	115,999.00	81,396.03	34,602.97	